

Form # AG-1624 AGway AG 120

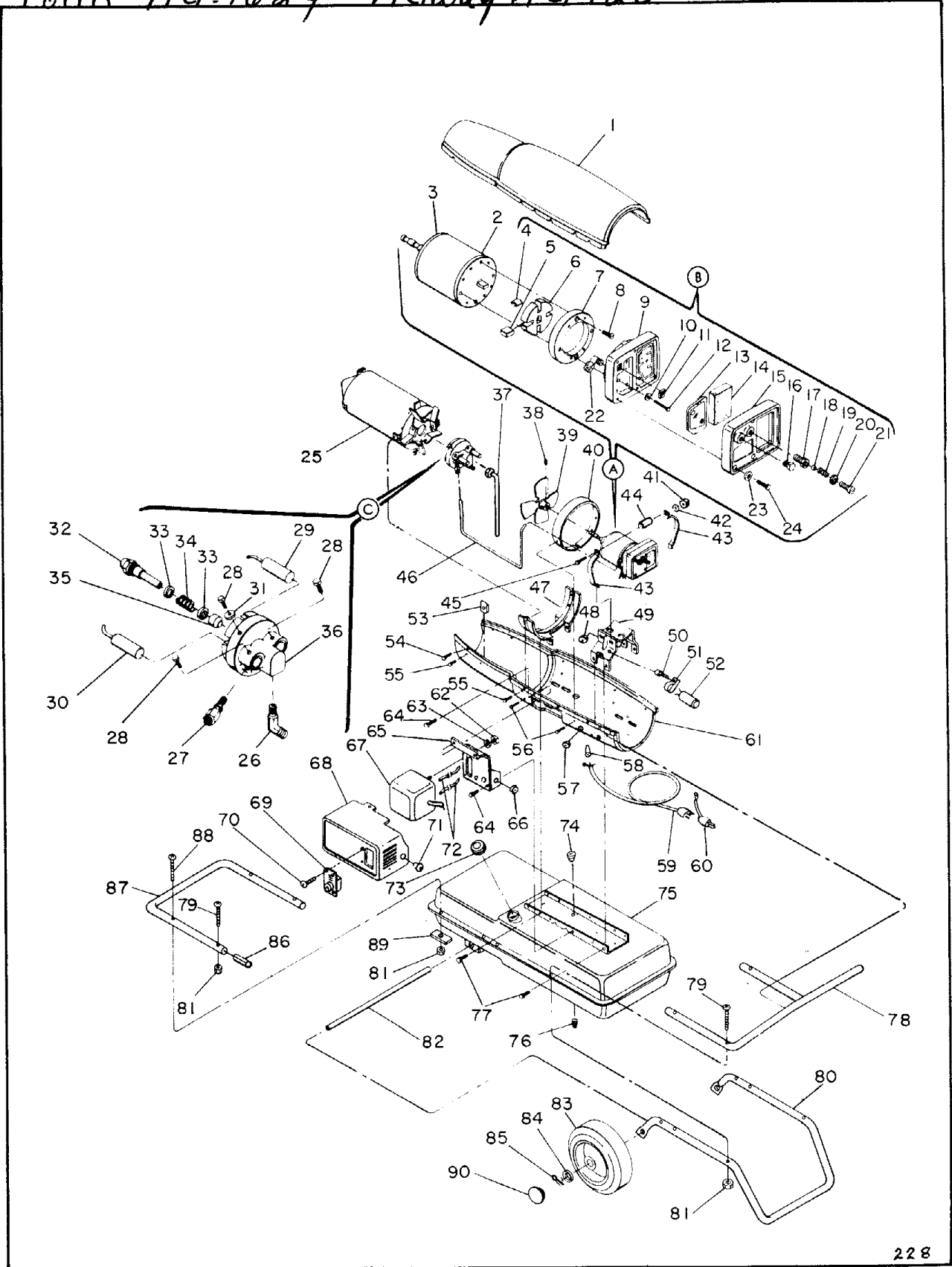


Figure 12. 120,000 BTU Portable Heater, Exploded View

AGWAY AG 120

B. PARTS LIST FOR 120,000 BTU HEATER

Index No.	Part Number	Part Name	Quan
1	M13520G1	Shell, Upper	1
A	*M12864G1	Motor Package Assy	1
2	M12811	Motor	1
3	M8947	End Shield, front	1
B		Pump and Filter Parts Package	1
4	M11966-5	Spring	1
5	M8643-3	Blade	4
6	M11969	Rotor	1
7	M8645-3	Pump Body	1
8	FHFP3-7C	Screw, Fil hd, 10-32 x 1/2 in.	2
9	M12233	End Cover Pump	1
10	WL1-3	Washer	6
11	*M11637	Filter, Lint	1
12	M12461-34	Screw, Hex hd, 10-32 x 1-1/2 in.	6
13	*M12244G1	Filter Assy	1
14	*M12179	Intake Filter	1
15	M12234	End Cover	1
16	M10837	Pipe Plug	1
17	M10362	Connector	1
18	M8940	Ball, 1/4 dia	1
19	M8941	Spring, Compression	1
20	M8993	Hex Nut, 3/8-24	1
21	M11941	Bushing, Pressure adjustment	1
22	M12865	Male Elbow	1
23	WL1-3	Lockwasher, Internal #10	4
24	M12461-31	Screw, Hex hd, 10-32 x 1 in.	4
25	M12934G1	Combustion Chamber	1
C	*M12947G3	Burner Assy	1
26	M12456	Elbow	1
27	M12949	Connector	1
28	HF3-3C	Screw, 10-32 x 3/8 in.	3
29	M12952	Electrode RH	1
30	M12951	Electrode LH	1
31	WP-3C	Washer, Flat	1
32	M12959	Nozzle, Siphon	1
33	M10659-1	Washer, Nozzle Seal	2
34	M10809-1	Spring, Nozzle Seal	1
35	M8882	Sleeve	1
36	M12948G1	Burner Head	1
37	M14259G1	Fuel Filter	1
38	No Number	Setscrew, Socket hd, cup pt, 1/4-28	2
39	*M13038	Fan	1
40	M12830	Fan Housing	1
41	NPC-4C	Nut	2
42	WLM-4	Lockwasher, 1/4 in.	2
43	M10964-1	Clamp, Motor	4
44	M13620	Spacer	2
45	HC4-10C	Screw, 1/4-20 x 1-1/4	2
46	M14245	Air Line	1
47	M12828	Bracket, Shell Support	1
48	1000577	Grommet	1
49	M12829	Bracket, Motor Support	1
50	M10908-51	Screw, 10-24 x 1/2 type S	1
51	M12651	Clamp, Tinnerman	1
52	M12650-1	Capacitor	1
53	M11271-6	Nut, Tinnerman	6

Index No.	Part Number	Part Name	Quan.
54	M11084-27	Screw, 10-24 x 1/2 in.	6
55	M10908-51	Screw, 10-24 x 1/2 in.	8
56	M10908-53	Screw, 10-24 x 3/4 in.	4
57	M5890	Grommet	1
58	M13942-4	Connector	2
	M9900G10	Wire Assembly	1
	M9900G30	Wire Assembly	1
59	M10813G20	Extension Cord Assy	1
60	M9050	Adapter	1
61	M12826	Shell, Lower	1
62	NPC-4C	Nut, Hex, 1/4-20	2
63	WLM-4	Lockwasher, 1/4 in.	2
64	M10908-51	Screw, 10-24 x 1 in.	4
65	M12841G1	Mounting Bracket	1
66	M6087	Grommet	1
67	*M3259-4	Transformer	1
68	M14985G1	Cover, Transformer	1
69	M12611	Thermostat	1
70	FHF3-3C	Screw, Fil hd, 10-24 x 3/8 in.	4
71	M11143-1	Bushing, Strain Relief	1
72	M10816G12	Lead, Electrode	2
73	M3353	Cap, Fuel Tank	1
74	M14260	Bushing, Rubber	1
75	M12820G4	Fuel Tank	1
76	M13990	Plug	1
77	M10908-51	Screw, 10-24 x 1/2 in.	8
78	M12832	Handle, Rear	1
79	M12345-34	Screw, Mach, oval hd, 10-24 x 2 in.	6
80	M12831	Frame, Support, wheel	1
81	NTC-3C	Nut, 10-24	8
82	M12867	Axle	1
83	M12663	Wheel	2
84	WP-8C	Washer	2
85	M13280	Cotter Pin	2
86	M12336	Sleeve, Alignment	2
87	M12833	Handle, Front	1
88	M12345-31	Screw, Mach, oval hd, 10-24 x 1-1/4 in.	2
89	M12367	Plate, Clamp	2
90	M14262	Hub Cap	2

Wiring Diagram for 120,000 BTU Heater

