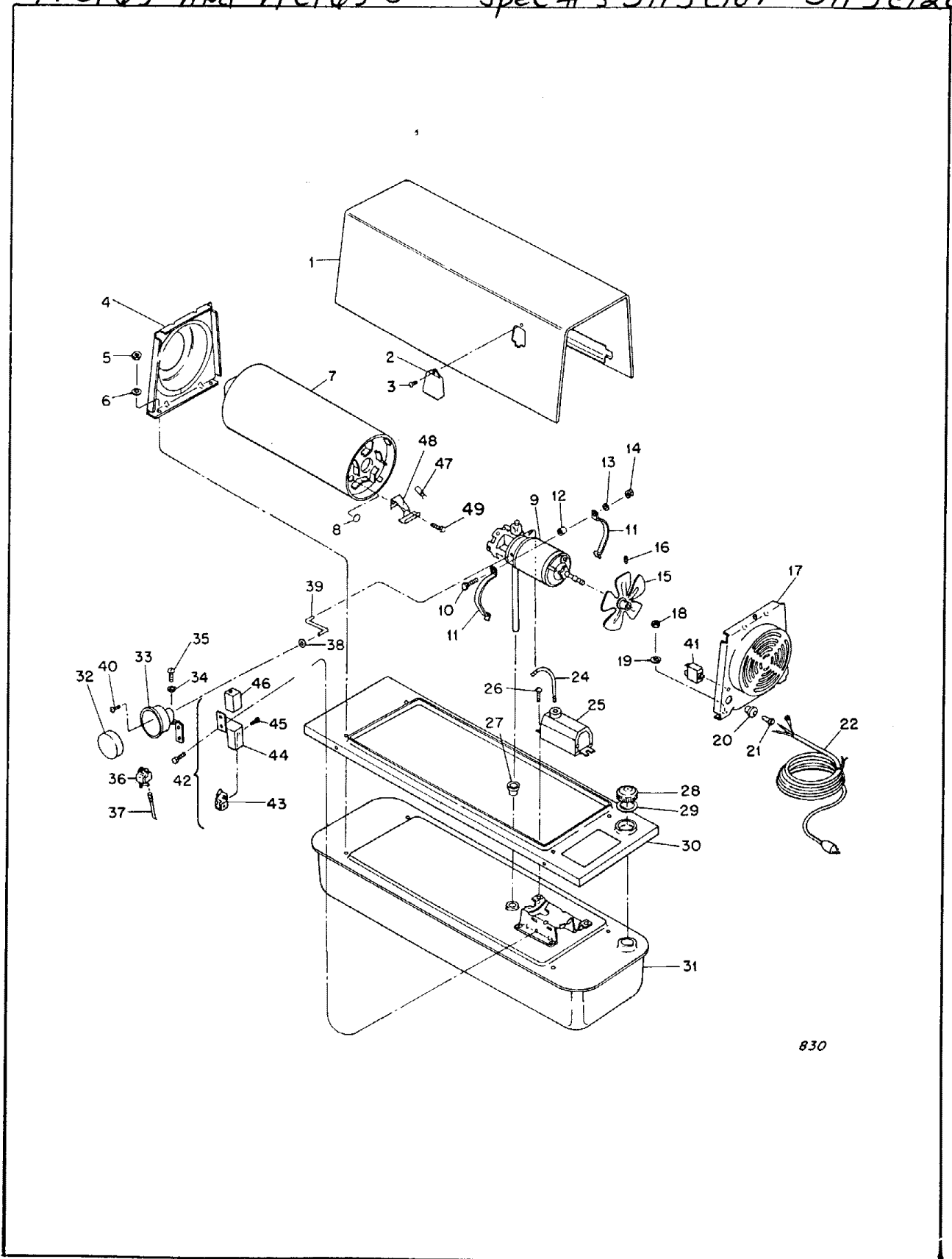


AGway Form # 2762-1 5/72
AG65 AND AG65S Spec #'s 3113G07-3113G20



830

Figure 14. Exploded View of General Assembly

AG65 and AG65S Spec# 3113607 3113620

SECTION VI PARTS LIST

This section contains a list of all replaceable parts used in the heater covered by this manual. The only parts that are recommended for replacement by the heater's owner or user are indicated by the symbol (**). Parts indicated by the symbol (*) are standard hardware items, and may be obtained locally.

To order parts, first check the nameplate decal for the correct model number and Spec. No. of the heater. INCLUDE THE MODEL AND SPEC. NUMBER WHEN ORDERING PARTS. Do not use the index numbers from the illustration when ordering parts. Specify color when ordering painted parts.

PARTS LIST FOR BASIC HEATER ASSEMBLY

Index No.	Part Number	Part Name or Description	Notes	Quan.	Index No.	Part Number	Part Name or Description	Notes	Quan.
14-1	M12436-1F	Housing, Heater		1	35	*RC-2C	Screw, Rd hd., No. 8-32 x 1/4 in.		1
2	M12568A	Cover, Filter		1	-	*RC2-3C	Screw, Rd hd., No. 8-32 x 3/8 in. (For ground wire)		1
3	*M10908-2	Screw, Hex hd, slotted No. 6-32 x 3/8 in., Type "S"		1	36	M12462-5	Relay, Motor Starting		1
4	M15767-1F	End Cap and Nose Cone		1	37	M9900-37	Wire Assy (to Relay)		1
5	*NPC-4C	Nut, Plain hex, 1/4-20		2	38	M13293	Grommet, Rubber		1
6	*WLI-4C	Lockwasher, Internal tooth, 1/4 in.		2	39	M12432	Tube, Air intake		1
7	M15770-3	Combustion Chamber		1	40	*M11084-27	Screw, Self-tapping, hex hd No. 10-12 x 1/2 in., Type "A"		2
8	M15995	Plug, Button	#	1	41	M14360	Circuit Breaker	¢	1
9	Ref.	Motor Pump and Burner Head Assembly (See Figure 15)		1	42	M14379-2	Relay and Bracket Assy	¢	NA
10	*HC4-10C	Screw, Rd hd., 1/4-20 x 1-1/4 in.		2	43	M14378-1	. Relay Assy, Control	¢	1
11	M16661	Clamp, Motor		4	44	M14370	. Bracket, Relay	¢	1
12		Not Used			45	M12461-2	. Screw, Hex hd, No. 6-32 x 3/8 (Relay Mtg.)	¢	1
13	*WLM-4C	Lockwasher, 1/4 in.		2	46	M14983	Dust Cover, Relay	¢	1
14	*NPC-4C	Nut, Plain hex, 1/4-20		2	47	M16656-1	Photocell and Bushing Assy	¢	1
15	M20517	Fan		1	48	M16660	Bracket, Photocell	¢	1
16	SFK4-2	Setscrew, Soc hd, cup pt, 1/4-28 x 1/4 in.		2	49	*M10908-1	Screw, Self-tapping, hex hd No. 6-32 x 1/4 in., Type S	¢	1
17	M12427-1F	Fan Guard Assy		1		M9900-36	Wire Assy, Red	¢	1
18	*NPC-4C	Nut, Plain, Hex, 1/4-20		2		M13942-2	Connector, Wire	¢	1
19	*WLI-4C	Lockwasher, Internal tooth, 1/4 in.		2		M13942-4	Connector, Wire		2
20	M11143-1	Bushing, Strain relief		1		M24973	Plug, Drain		1
21	M13942-4	Connector, (Wire Nut)		2			TOUCH-UP PAINT		
22	M10813-37	Cord, Service (Extension)	#	1		M23353-13	Paint, Aerosol Can, Orange		
	M10813-38	Cord, Service (Extension)	¢	1		M23353-9	Paint, Aerosol Can, White		
23		Not Used				M23353-10	Paint, Aerosol Can, Black		
24	M10816-15	Lead, Electrode		1			DECALS		
25	M15063	Transformer		1		M23158-14	Decal, Model		1
26	*M15823-26	Screw, Hex hd No. 10-12 x 3/8 in., Type "B"		1		M16749	Decal, Automatic Safety	¢	1
27	M10990-3	Bushing, Rubber		1		M14365	Decal, Wiring	¢	1
28	M11151-1	Cap, Fuel tank filler		1		M12634	Decal, Wiring	#	1
30	M12424F	Skirt, Fuel tank		1		M17081	Decal, Atomaster		1
31	M17016-4E	Fuel Tank Assy		1		M22743	Decal, Warning		1
32	**M11146-1	Element, Intake air filter		1		M22898	Decal, NP		1
33	M17018-1	Filter Body and Bracket Assy		1					
34	WLI-2C	Lockwasher, No. 8		2					

* Standard Hardware - Procure Locally.

AG65 Models Only.

¢ AG65S Models Only.

NA Not Available as a Service Part, Order Individual Parts.

AG 65 and AG 65 S

Spec #
3113G07 - 3113G20

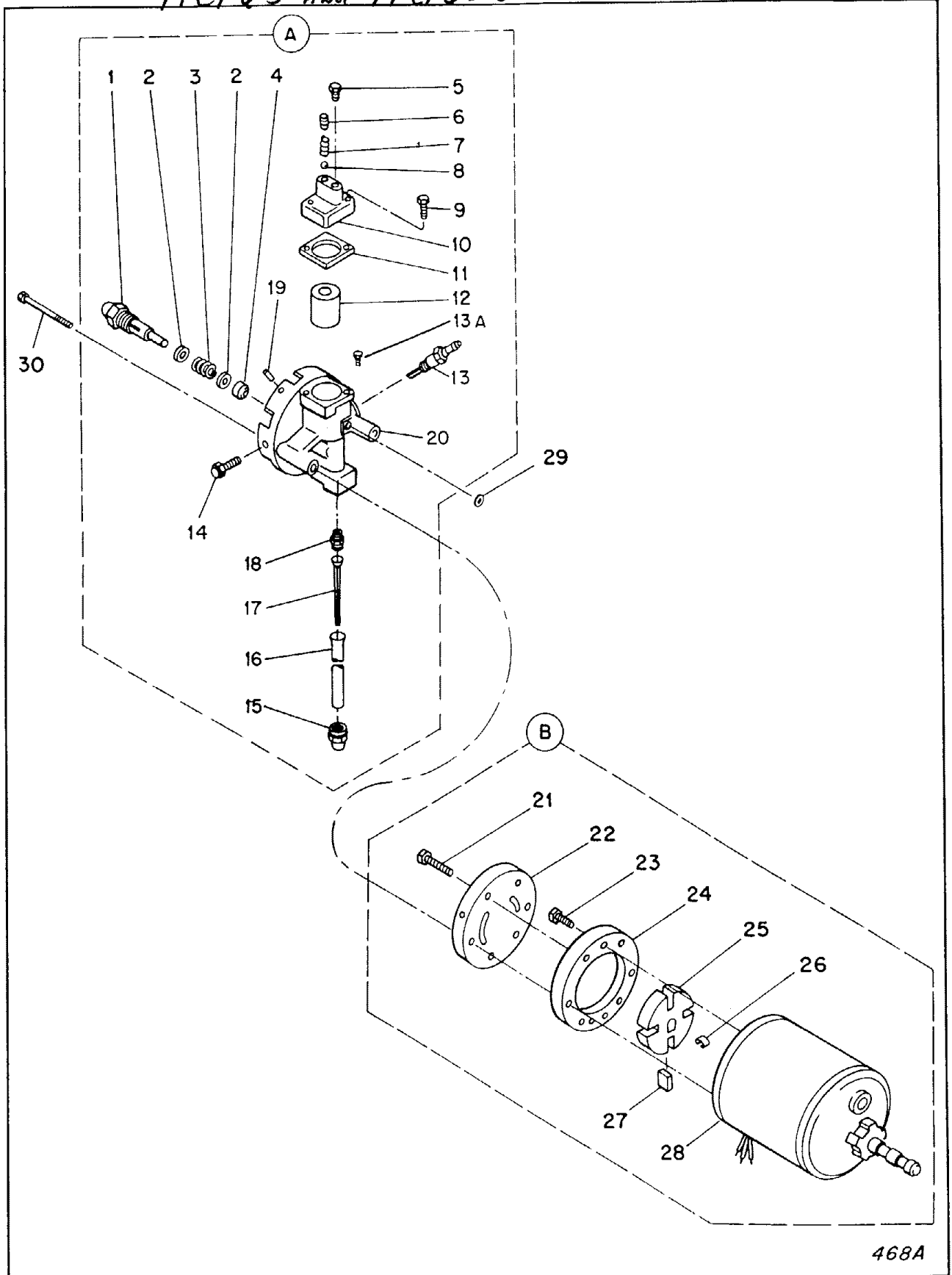


Figure 10. Motor, Pump and Burner Head Assembly

AG65 and AG65S *Spec #* 3113G07 + 3113G20

PARTS LIST FOR MOTOR, PUMP AND BURNER HEAD ASSEMBLY

Index No.	Part Number	Part Name or Description	Quan.
	M19115-5	Motor, Pump and Burner Head Assy	1
(A)	M19113-2	Burner Head Assy	1
1	M13960	Nozzle, Siphon	1
2	M10659-1	Washer, Nozzle seal	2
3	M10809-1	Spring, Nozzle seal	1
4	M8882	Sleeve	1
5	M22997	Plug, Socket thd	1
6	M23105	Screw, Adjusting	1
7	M10993-1	Spring, Pressure relief	1
8	M8940	Ball	1
9	*M12461-54	Screw, Hex hd, No. 10-24 x 7/8 in.	2
10	M12576	Body Valve	1
11	M12577	Gasket	1
12	M15241	Output Filter Element	1
13	M16895-1	Spark Plug Assy	1
13A	RC2-4	Screw, Rd hd No. 8-32 x 1/2	1
14	*M10908-38	Screw, No. 12-24 x 3/8 in., Type S	1

Index No.	Part Number	Part Name or Description	Quan.
15	M13849	Nut, Flared	1
16	M16790	Tube, Fuel Filter	1
17	M19630	Filter, Fuel	1
18	M16791	Connector, Male	1
19	ROP12-8	Roll Pin	4
20	M19112	Body, Burner Head	1
(B)	M19114-1	Motor and Pump Assy	1
21	*FHPF3-8C	Screw, Fil. hd., No. 10-32 x 1/2 in.	4
22	M12430	End cover pump	1
23	*FHPF3-4C	Screw, Fil. hd., No. 10-32 x 1/2 in.	2
24	M8645	Pump Body	1
25	M22456-1	Pump Rotor	1
26	M22009	Insert, Pump Rotor	1
27	M8643	Blade	1
28	M17941	Motor	1
29	M13372	Seal (O-Ring)	1
30	*FHF3-20C	Screw, Fil. hd., No. 10-32 x 2-1/2 in.	2

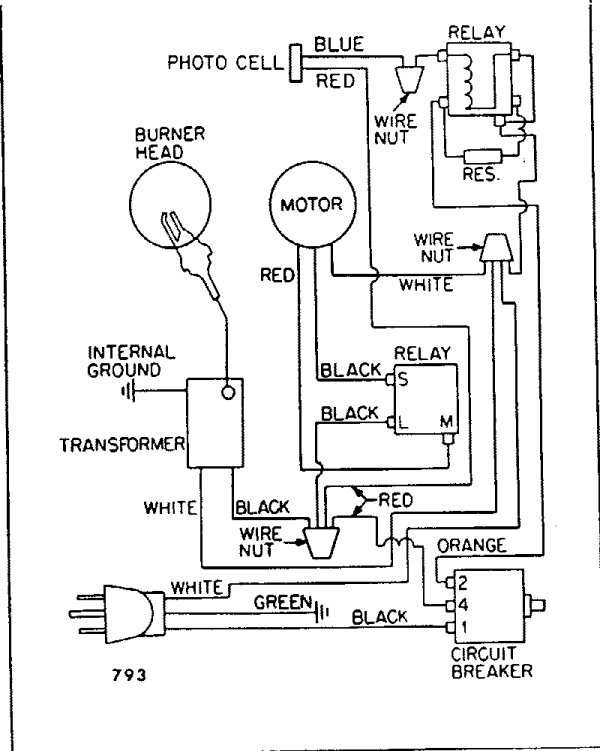
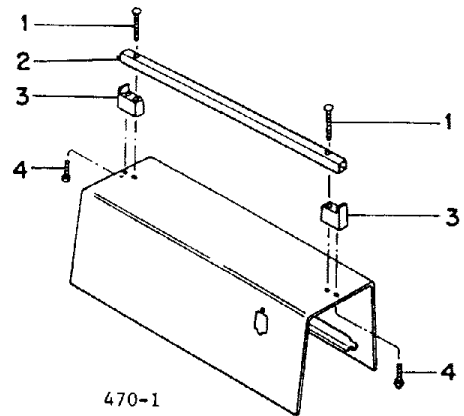


Figure 13. Wiring Diagram for Heaters With Safety Control



HANDLE ARRANGEMENT

Index No.	Part Number	Part Name or Description	Notes	Quan.
1	*RPC4-18C	Screw, Rd. hd., 1/4-20 x 2-1/4		2
2	M12240-2A	Handle (Square bar)		1
3	M12439L	Support, Handle		1
4	*M10908-58	Screw, Self-tapping, Hex hd., No. 10-24 x 1-1/2 in., Type "S"		2

* Standard hardware - Obtainable locally.