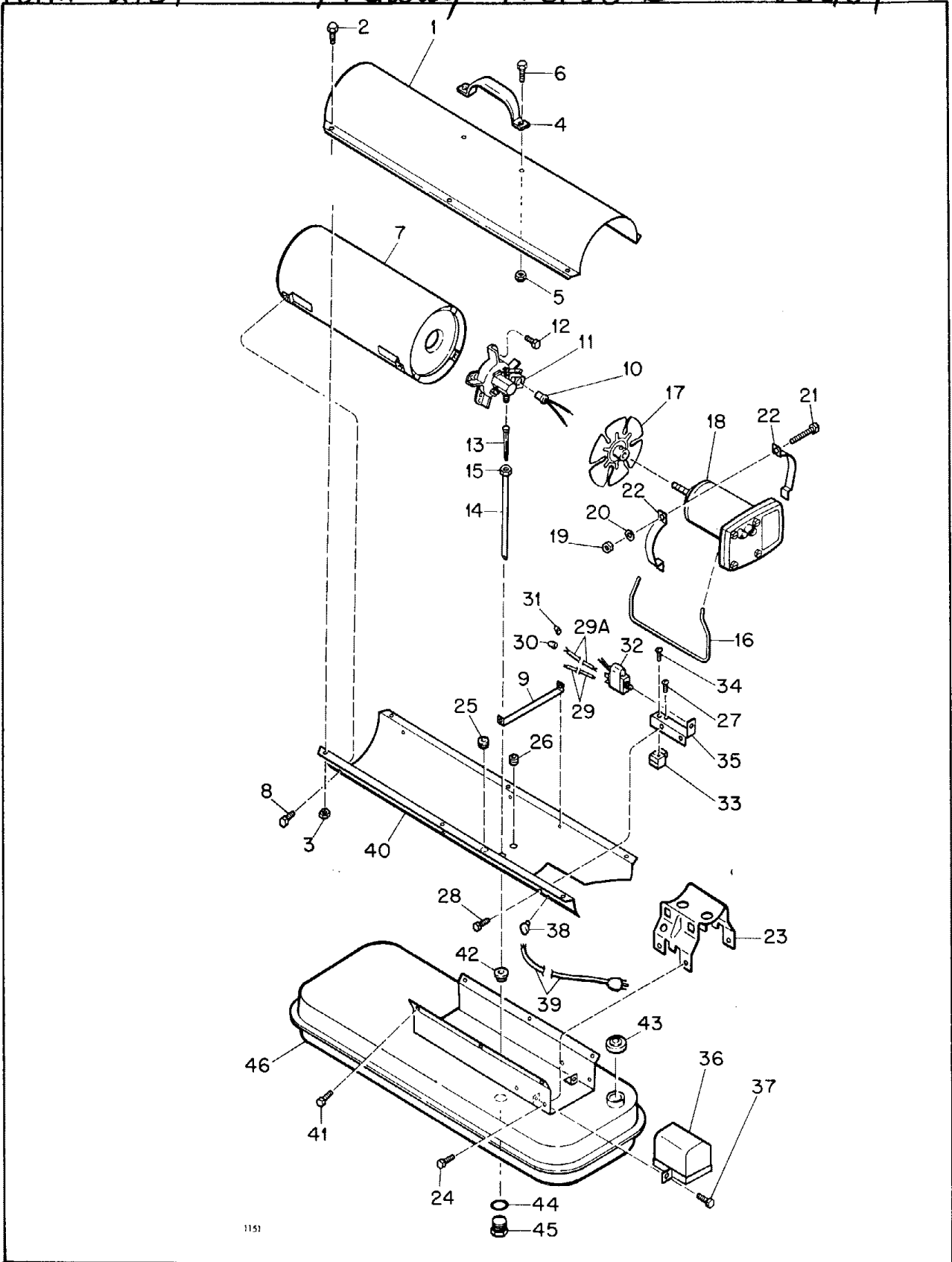


Form# 2939

AGway AG50 D

Spec# 3183G04



1151

Figure 15. Portable Heater, Exploded View

# AG50D Spec# SECTION VI

## 3183904 PARTS LIST

This section lists and illustrates all of the replaceable parts of the heater.

To identify a part, find it on one of the illustrations, and note its index number. Then, in the parts list for that illustration, read across the line of that index number. You will find the part number of the part, its name or description, and the quantity of the part used at that particular location. Attaching hardware is listed immediately after the part it attaches, and are noted by (AP) following the description. Standard hardware are indicated by the symbol

(\*) and can be procured locally.

Order parts by name and part number only. Do not use the index numbers from the illustrations when ordering parts, as these index numbers are intended for your convenience in identifying parts in the list, and they may change from time to time as later editions of this book are issued.

When ordering parts for this heater, be sure to include the serial number and model number of the heater with your order. These can be found on the decal affixed to the heater.

| Index No. | Part Number | Part Name   | Qty. |
|-----------|-------------|---|------|
| 1         | M25030B     | Shell, Upper  | 1    |
| 2         | M12461-49   | Screw, Hex hd., No. 10-24<br>x 1/2 (AP)                                   | 6    |
| 3         | NPC-3C      | Nut, Plain 10-24  | 6    |
| 4         | M21809      | Handle  | 1    |
| 5         | NTC-3C      | Nut, Torque lock, No.<br>10-24 (AP)                                       | 4    |
| 6         | M12345-23   | Screw, Oval hd., No. 10-24<br>x 3/8 (AP)                                  | 4    |
| 7         | M25019-1    | Combustion Chamber Assy   | 1    |
| 8         | M11084-26   | Screw, Hex hd., Self-tapping<br>No. 10-12 x 3/8 in. (AP)                  | 4    |
| 9         | M25645      | Strap, retainer   | 1    |
| 10        | M16656-3    | Photo Cell and Bushing Assy   | 1    |
| 11        | M23443-2    | Burner Head Assembly<br>(For details see Fig. 16)                         | NA   |
| 12        | M11084-27   | Screw, Hex hd., self-tapping<br>No. 10-12 x 1/2 in. (AP)                  | 3    |
| 13        | M19630      | Filter, Fuel  | 1    |
| 14        | M16790-14   | Tube, Fuel filter   | 1    |
| 15        | M13849      | Nut, Flared   | 1    |
| 16        | M25021      | Air line  | 1    |
| 17        | M25727      | Fan, 25/32 inch pitch   | 1    |
|           | SF4-2-1/2K  | Setscrew, Socket hd., cup<br>point, 1/4-28 x 5/16<br>(furnished with fan) | 2    |
| 18        | M25023-1    | Motor Package Assembly<br>(For details see Fig. 17)                       | NA   |
| 19        | NPC-4C      | Nut, Plain, Hex 1/4-20 (AP)   | 2    |
| 20        | WLM-4       | Lockwasher, 1/4 in. (AP)  | 2    |
| 21        | HC4-10C     | Screw, Hex hd, 1/4-20 x<br>1-1/4 in. (AP)                                 | 2    |
| 22        | M16661      | Clamp, Motor  | 4    |
| 23        | M25059      | Bracket, Motor Support  | 1    |
| 24        | M11084-27   | Screw, Hex hd, self-tapping,<br>No. 10-12 x 1/2 in. (AP)                  | 4    |
| 25        | 1000576     | Grommet   | 2    |

| Index No. | Part Number | Part Name   | Qty. |
|-----------|-------------|---|------|
| 26        | 1000577     | Grommet   | 1    |
| 27        | ST2-2AC     | Screw, Rd hd., No. 8-15 x<br>1/4 in. (Groundings)         | 1    |
| 28        | M11084-26   | Screw, Hex hd., self-tapping<br>No. 10-12 x 3/8 in.       | 2    |
| 29        | M16841-15   | Wire Assembly   | 1    |
| 29A       | M16841-16   | Wire Assembly   | 1    |
| 30        | M13942-2    | Connector, Wire   | 2    |
| 31        | M13942-4    | Connector, Wire   | 1    |
| 32        | M24982-5    | Control Assembly, Safety                                  | 1    |
| 33        | M25061-1    | Relay, Motor start  | 1    |
| 34        | M11084-26   | Screw, Rd hd., No. 10-12<br>x 3/8 in. (AP)                | 2    |
| 35        | M25035      | Bracket, Relay  | 1    |
| 36        | M16697      | Transformer Assembly                                      | 1    |
| 37        | M11084-27   | Screw, Hex hd., self-tapping<br>No. 10-12 x 1/2 in.       | 2    |
| 38        | M11143-1    | Bushing, Strain Relief                                    | 1    |
| 39        | M10813-38   | Extension Cord Assembly                                   | 1    |
| 40        | M25031C     | Lower Shell Assembly                                      | 1    |
| 41        | M11084-26   | Screw, Hex hd., self-tapping,<br>No. 10-12 x 3/8 in. (AP) | 4    |
| 42        | M10990-3    | Bushing   | 1    |
| 43        | M11151      | Cap, Filler Neck  | 1    |
|           | M25374-1    | Plug Assembly, Drain                                      | 1    |
| 44        | M25375      | . O-Ring  | 1    |
| 45        | M25277      | . Plug, Drain   | 1    |
| 46        | M26224-2B   | Fuel Tank Assembly  | 1    |
|           | M16749      | Decal, Safety Control                                     | 1    |
|           | M22898      | Decal, Nameplate  | 1    |
|           | M22743      | Decal, Warning  | 1    |
|           | M24687      | Decal, Wiring   | 1    |
|           | M17158      | Decal, Private Label                                      | 1    |
|           | M20451      | Decal, BTU  | 1    |
|           | M26325-4    | Decal, Model  | 1    |
|           | M25002      | Decal, Tradename  | 1    |
|           | M25325      | Decal, Reset  | 1    |

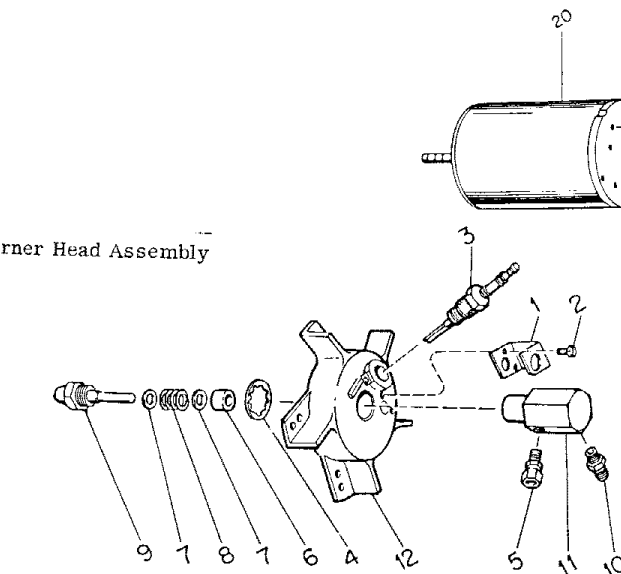
NA -- Indicates "Not Available -- Order Individual Parts."

AP -- Indicates "Attaching Parts."

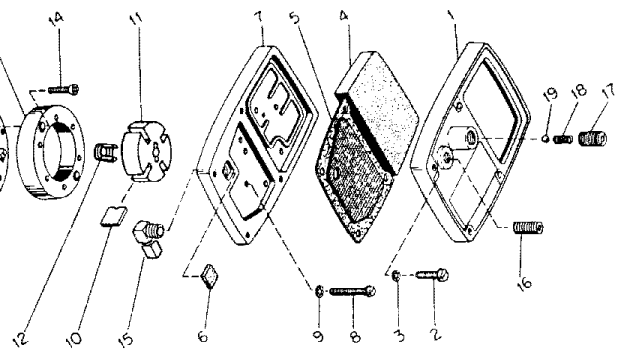
# AG50D Spec# 3183604

## Motor Package Assembly

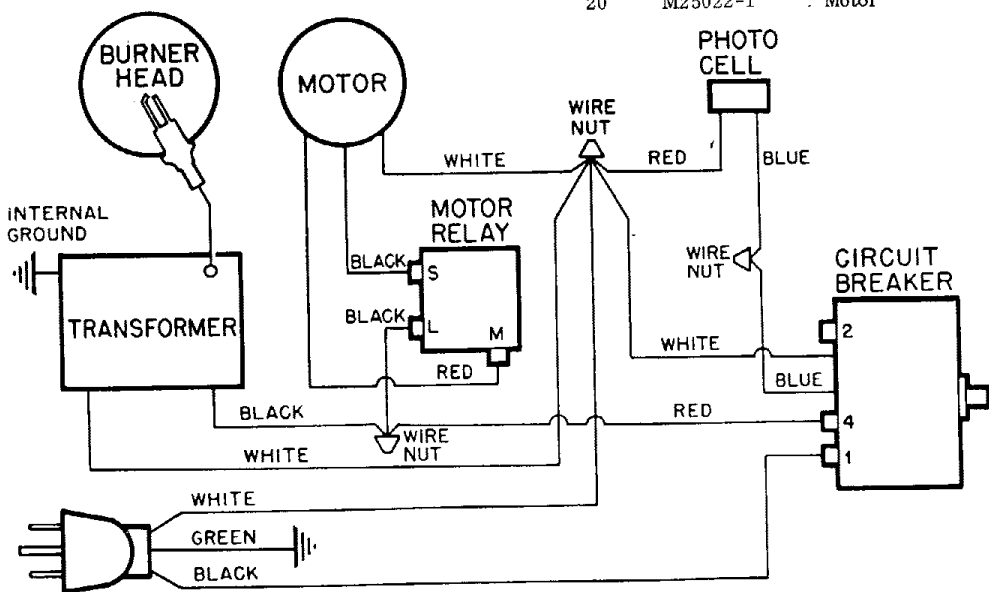
## Burner Head Assembly



| No. | Number    | Part Name   | Qty. |
|-----|-----------|---|------|
| 16- | M23443-2  | Burner Head Assembly                              | Ref. |
| 1   | M16660    | Bracket, Photo Cell                               | 1    |
| 2   | *M10908-1 | Screw, Hex hd., Self-tapping, No. 6-32 x 1/4 (AP) | 2    |
| 3   | M10962-2  | Spark Plug  | 1    |
| 4   | M16741-18 | Ring, Retaining                                   | 1    |
|     | M23151-2  | Nozzle Adapter Assembly                           | 1    |
| 5   | M5976     | Connector, Male                                   | 1    |
| 6   | M8882     | Sleeve, Nozzle Seal                               | 1    |
| 7   | M10659-1  | Washer, Nozzle Seal                               | 2    |
| 8   | M10809-1  | Spring, Nozzle Seal                               | 1    |
| 9   | M13960    | Nozzle, Aspirating                                | 1    |
| 10  | M16791    | Connector, Male                                   | 1    |
| 11  | M16535    | Adapter, Nozzle                                   | 1    |
| 12  | M25020    | Body, Burner Head                                 | 1    |



| Index No. | Part Number | Part Name                              | Qty. |
|-----------|-------------|--|------|
| 17-       | M25023-1    | Motor Package Assembly (See figure 15) | Ref. |
| 1         | M16545      | End Cover, Filter                      | 1    |
| 2         | *M12461-31  | Screw, Hex hd. No. 10-32 x 1 (AP)      | 4    |
| 3         | *WLI-3      | Lockwasher, Internal No. 10 (AP)       | 4    |
| 4         | M12179      | Intake Air Filter                      | 1    |
| 5         | M12244-1    | Output Filter Assy                     | 1    |
| 6         | M11637      | Filter, Lint                           | 1    |
| 7         | M12233      | Front Cover, Pump (Port Plate)         | 1    |
| 8         | *M12461-32  | Screw, Hex hd, No. 10-32 x 1-1/8 (AP)  | 6    |
| 9         | WLI-3       | Lockwasher, Internal                   |      |
| 10        | M8643       | Blade, Pump                            | 4    |
| 11        | M22456-1    | Rotor, Pump                            | 1    |
| 12        | M22009      | Insert, Rotor                          | 1    |
| 13        | M8645       | Pump Body                              | 1    |
| 14        | *FHPF3-4C   | Screw (Pump Body to Motor)             | 2    |
| 15        | 69248       | Elbow, 90°                             | 1    |
| 16        | M22997      | Plug                                   | 1    |
| 17        | M23105      | Screw, Pressure Adjustment             | 1    |
| 18        | M10993-1    | Spring, Compression (Pressure Relief)  | 1    |
| 19        | M8940       | Ball, 1/4 in. dia.                     | 1    |
| 20        | M25022-1    | Motor                                  | 1    |



Wiring Diagram