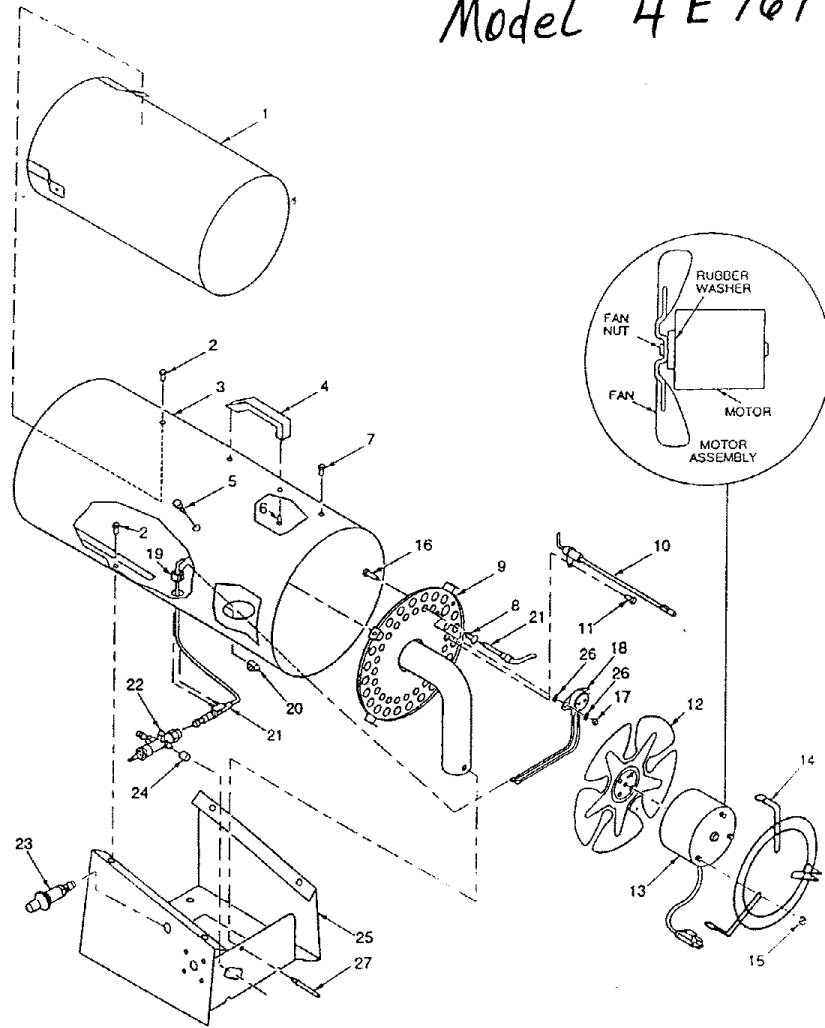


Form # 5S3439

DAYTON Propane Model 4E769



1	Inner Shell (Combustion Chamber)	099568-01	1
2	#10-16 x 3/8" Hex Tap Screw	M11084-26	7
3	Outer Shell	099599-01AZ	1
4	Handle	M51104-01	1
5	Hex Tap Shoulder Screw	099230-01	4
6	#10-16 x 3/4" Hex Tap Screw	M11084-29	2
7	#12-14 x 1/2" Hex Tap Screw	M11084-3	3
8	Thermocouple Clip	099237-01	1
9	Burner Assembly	099727-01	1
10	Electrode Ignitor	099539-01	1
11	#8-18 x 3/8" Hex Tap Screw	M11084-38	1
12	Fan	099537-01	1
13	Motor Assembly (Includes Rubber Washer and Fan Nut)	099521-01	1
14	Fan Guard	099540-01	1
15	Captive Washer Nut	097384-02	3
16	#4-40 x 1/2" Hex Screw	097968-05	2
17	#4-40 Hex Nut	NPC-00C	2
18	Thermal Switch Assembly	097952-04	1
19	Universal Bushing	097776-01	1
20	Wire Clip	099542-01	1
21	Thermocouple	099538-01	1
22	Valve/Orifice Assembly	099728-01	1
23	Piezo Ignitor	097159-01	1
24	Sleeve Cap	078978-03	1
25	Base	099598-01AA	1
26	#4 Lock Washer	100397-01	4
27	1/8" Steel Rivet	099202-02	1
Δ	Tradename Decal	100163-01	1
Δ	Tradename Decal	100163-02	1
Δ	General Information Decal	099548-03	1
Δ	Operation Decal	099666-01	1
Δ	LP Warning Decal	079663-01	1
Δ		099672-01	1

10' Rubber Hose with Brass Fitting	LPA1020
U.L. listed.	
15' Rubber Hose with Brass Fitting	LPA1030
U.L. listed.	
Propane Gas Regulator	LPA2110
U.L. listed.	
Hose/Regulator Assembly	LPA3090
U.L. listed.	
Fuel Gas Connector	LPA4020
Connects regulator to all standard propane tanks.	
U.L. and A.G.A. listed.	
Tank Stabilizer	LPA5000

35,000