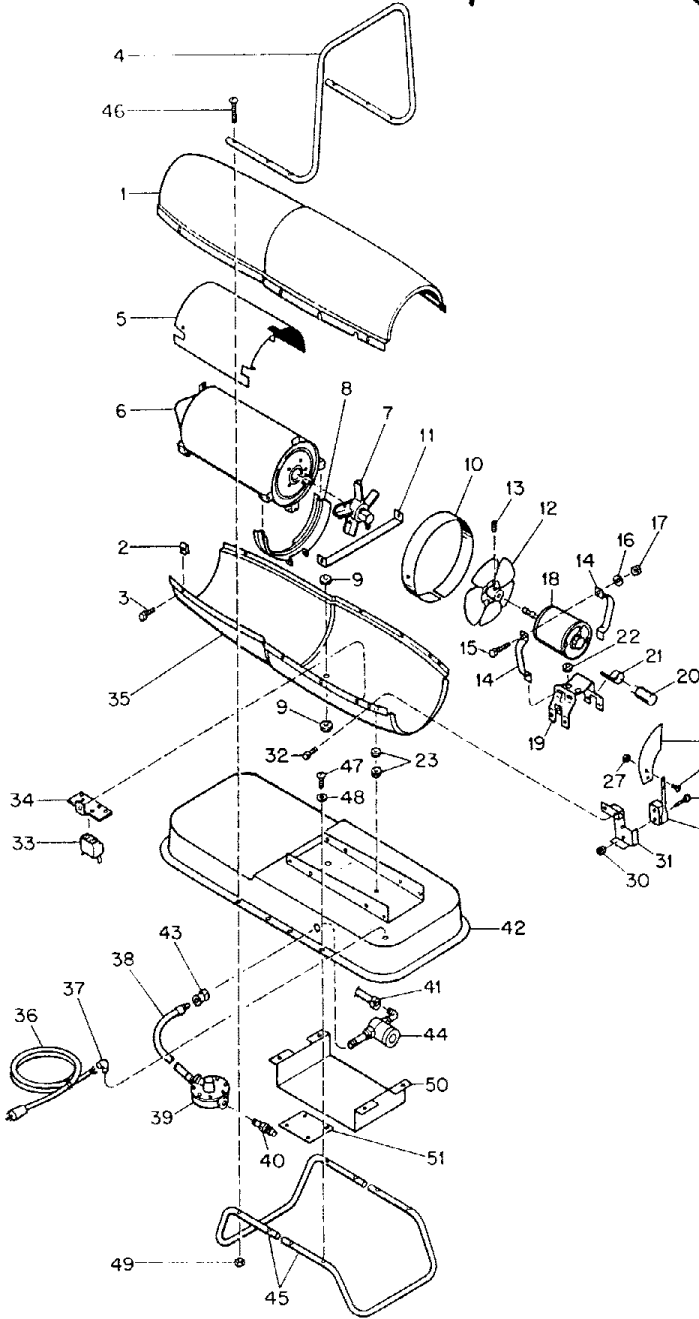
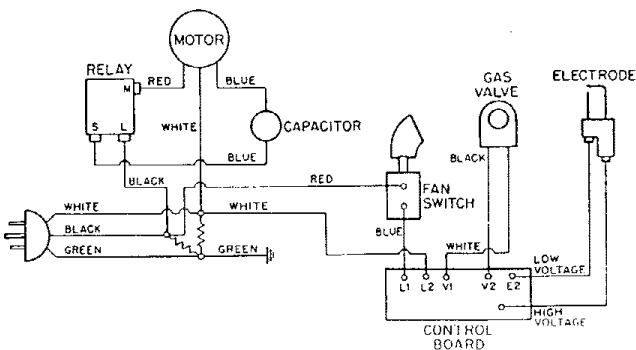


Form # 2775 8-71  
**MASTER PROPANE**

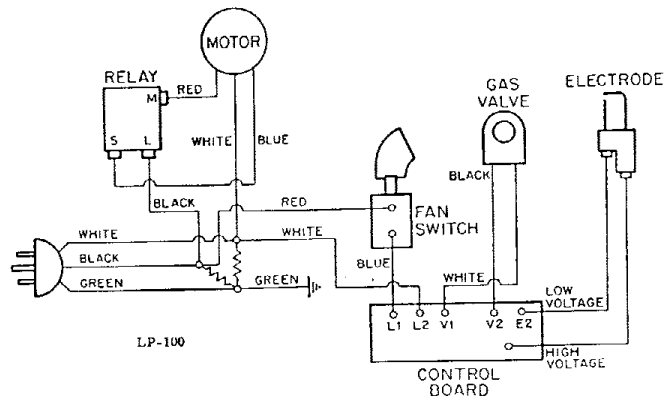
**BLP100B and BLP200B**  
 Spec# 3130601 spec# 3131601



Index No.	Part Number	Part Name or Description	BLP-100B	BLP-200B
1	M13134-4A	Upper Shell Assembly	1	-
	M17015-2A	Upper Shell Assembly	-	1
2	*M11271-6	Nut, Tinnerman	5	8
3	*M11084-27	Screw, Self-tapping Hex hd No. 10-12 x 1/2	5	8
4	M17523A	Handle	1	-
	M18569A	Handle	-	1
5	M16785	Heat Deflector	1	-
	M16679	Heat Deflector	-	1
	*M11084-29	Screw, Self-tapping No. 10-12 x 3/4 in.	2	2
6	M23647-1	Combustion Chamber Assy	1	-
	M23560-1	Combustion Chamber Assy	-	1
	*M11084-27	Screw, Self-tapping, Hex hd No. 10-12 x 1/2	2	2
7	REF	Burner Head Assy	1	1
	M11084-26	Screw, Self-tapping, Hex hd No. 10-12 x 3/8	3	-
	M11084-25	Screw, Self-tapping, Hex hd No. 10-12 x 1/4	-	3
	M23646-1	Combustion Chamber	1	-
	M23561-1	Combustion Chamber	-	1
8	M12330A	Bracket, Shell Support	1	-
	M12828A	Bracket, Shell Support	-	1
	*M11084-27	Screw, Self-tapping, Hex hd No. 10-12 x 1/2	4	6
	*M11084-29	Screw, Self-tapping, Hex hd No. 10-12 x 3/4	2	2
9	M17501	Grommet	2	2
10	M12331A	Housing, Fan	1	-
11	M16871	Strap, Retainer	-	1
	M11084-27	Screw, Self-tapping, Hex hd No. 10-12 x 1/2 in.	-	2
12	M23650	Fan	1	-
	M18556	Fan	-	1
13	*SFK-4-2	Setscrew, Socket hd, Knurled cup point 1/4-28 x 1/4 in.	2	2
14	M16661	Clamp, Motor	4	4
15	*HC4-10C	Screw, Hex hd 1/4-20 x 1-1/4 in.	2	2
16	*WLM-4	Washer, Lock 1/4 in.	2	2
17	*NPC-4C	Nut, Plain Hex 1/4-20	2	2
18	M23622-1	Motor	1	-
	M18552-1	Motor	-	1
19	M16646	Bracket, Motor Support	1	-



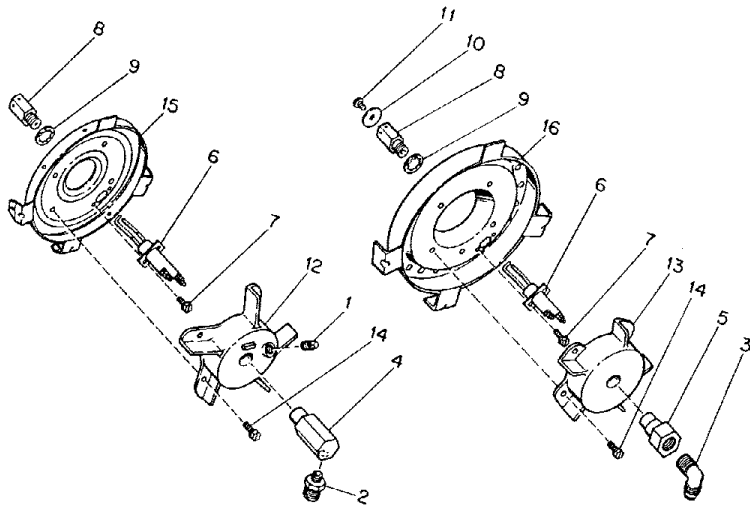
LP-200



LP-100

CONTROL BOARD

Master Propane  
 BLP 100B and BLP 200B  
 Spec# 3130G01 Spec# 3131G01



20	M12650-1	Capacitor	-	1
21	M12651	Clamp, Tinnerman	-	1
	M11084-27	Screw, Self-tapping, Hex hd 10-12 x 1/2 in.	-	1
22	1000576	Grommet	6	6
23	1000577	Grommet	2	2
24	M15561-2	Sail Switch Assembly	1	1
25	M15560	Sail	1	1
26	RC-00-2C	Screw, Rd hd No. 4-40 x 1/4 in.	2	2
27	NLC-00C	Nut, Flex loc No. 4-40	2	2
28	M18154	Micro-Switch	1	1
29	RC1-7C	Screw, Rd hd No. 6-32 x 7/8 in.	2	2
30	NTC-1C	Nut, Torque lock No. 6-32	2	2
31	M15558	Bracket, Micro-Switch	1	1
32	M11084-27	Screw, Self-tapping No. 10-12 x 1/2 in.	2	2
	M18598-5	Relay and Bracket Assy	1	-
	M18598-1	Relay and Bracket Assy	-	1
33	M12462-9	Relay	1	-
	M12462-6	Relay	-	1
	*RC2-2C	Screw, Rd hd, 8-32 x 1/4	2	2
	*WLI-2	Washer, Lock No. 8	2	2
34	M11952	Bracket, Relay Mounting	1	1
35	M23642A	Lower Shell	1	-
	M23634A	Lower Shell	-	1
36	M10813-37	Extension Cord Assembly	1	1
	M13942-4	Connector, Wire nut	1	1
	M13942-2	Connector, Wire nut	2	2
37	M11954	Bushing, Strain Relief	1	1
38	M19837-1	Hose Assembly, 10 foot	1	-
	M19844-1	Hose Assembly, 10 foot	-	1
	M17507-1	Gas Regulator Assembly	1	-
	M18588	Gas Regulator Assembly	-	1
39	M17489	Regulator, Gas	1	-
	M18589	Regulator, Gas	-	1
40	M19328	Valve, Excess flow	1	1
41	M23649-1	Fuel Line	1	-
	M23565-1	Fuel Line	-	1
42	M23641-1A	Base Assy	1	-
	M23563-1A	Base Assy	-	1
43	M18198	Coupling, Reducing	1	1
44	M23617-1	Valve Assembly	1	1
	M23615	Nipple, Pipe	1	1
	M18171	Bushing, Reducing	1	1
	M20133	Elbow 90° 1/2 pipe x 1/2 tube	1	1

No.	Number	Part Name or Description	LP-100	LP-200
	M23645-1	Head Assembly, Rear	1	-
	M23559-1	Head Assembly, Rear	-	1
1	M13990	Plug, Pipe	1	-
2	M23644	Half - Union	1	-
3	M20133	Elbow	-	1
4	M18164	Adaptor, Nozzle	1	-
5	M21835	Adaptor, Nozzle	-	1
6	M23527	Electrode Assembly	1	1
7	M10908-1	Screw	2	2
8	M17473-6	Nozzle Assembly	1	-
8	M17473-3	Nozzle Assembly	-	1
9	M16741-18	Ring, Retaining	1	1
10	M23562	Washer, Baffle	-	1
11	RF3-2SS	Screw	-	1
12	M16534	Body, Burner Head	1	-
13	M23090	Body, Burner Head	-	1
14	M11084-27	Screw	4	3
15	M23626	Head, Rear	1	-