

Form# 2

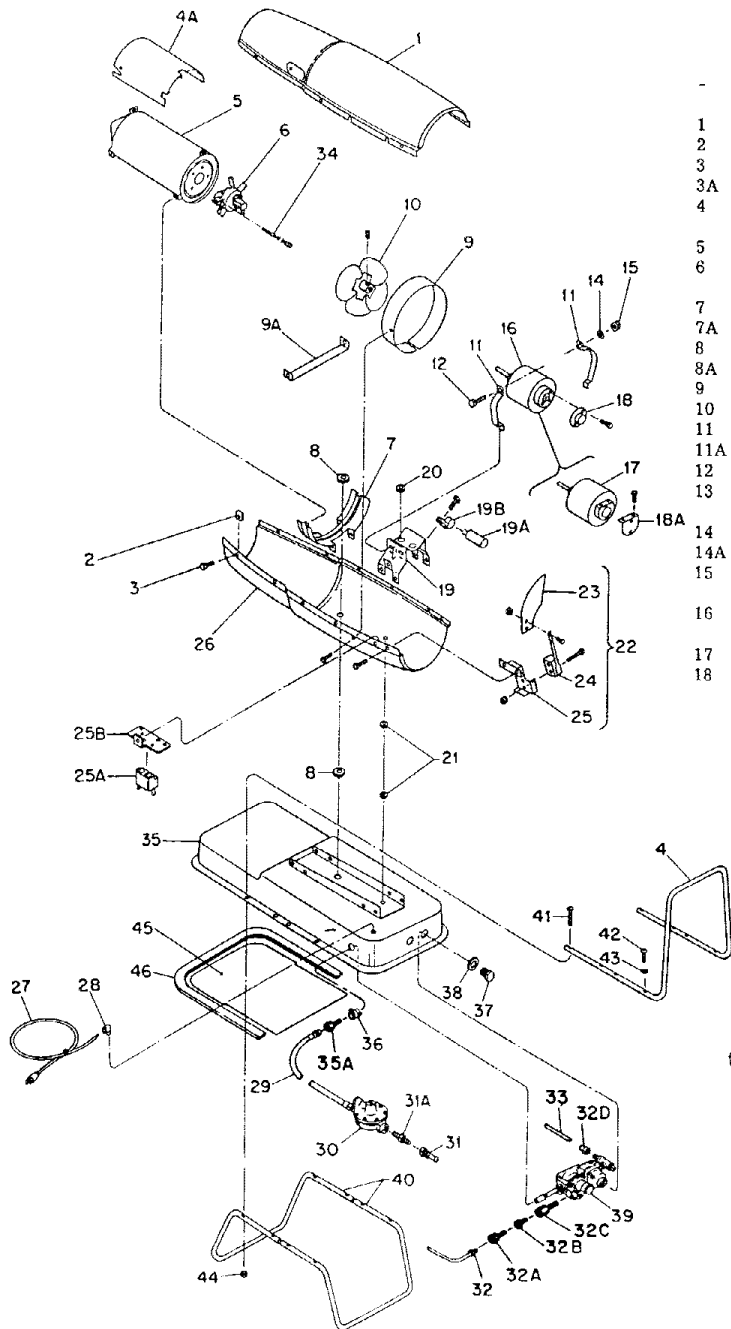
8.2 10.70

MASTER PROPANE BLP100

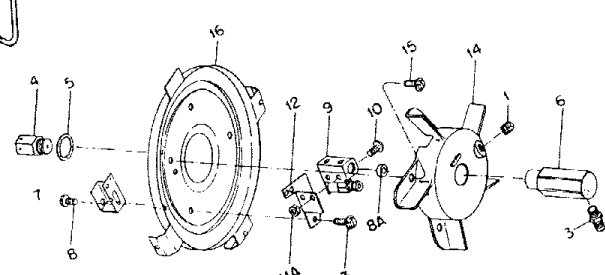
Spec# 2967G2 & 3063G01

BLP200A

2974G2



		Quantity per Model	
		LP-100	LP-200
-	M17956G1		
-	M21838-1		
1		1	-
2	M13990		
3	M18165	1	1
3A	M20133	1	-
4	M17473G1	-	1
	M17473G3	1	-
5	M16741-18	-	1
6	M18164	1	1
	M21835	1	-
7	M20918-1	-	1
7A	M21832-1	1	-
8	M11523-38	-	1
8A	M21586	1	1
9	M17486-2	2	-
10	RC1-3	1	1
11		2	2
	Deleted		
11A	NTC-1		
12	M18102	2	2
13	M11084-39	1	1
	M11084-38	3	-
14	M16534	-	3
14A	M21836	1	-
15	M11084-27	-	1
	Self-tapping	4	3
16	M18099	1	-
	M21840	1	-
17	M21834	-	1
18	RF3-2SS	-	1



Master PROPANE BLP 100 & BLP 200A

Figure / Index No.	Part Number	Part Name or Description	Quantity Per Model	
			BLP-100	BLP-200A
15	NPC-4C*	Nut, Plain Hex, 1/4-20	2	2
16	M8506	Motor, 7-3/32 in. Overall Length	1	-
	M18552-1	Motor	-	1
17	M5721	Motor, 6-21/32 in. Length (Alternate for M8506)	1	-
18	M15602	Dust Cap (Used with M8506 Motor)	1	-
18A	M17779	Dust Cap (Used with M5721 Motor)	1	-
	M12461-13	Screw, Hex Hd., 8-32 x 1/4 in. (Dust Cap-Motor)	2	-
19	M16646	Bracket, Motor Support	1	-
	M16645	Bracket, Motor Support	-	1
	M11084-27*	Screw, Self-tapping, Hex Hd., 10-12 x 1/2 in. (Bracket to Base and Lower Shell)	6	6
19A	M12650-1	Capacitor	-	1
19B	M12651	Clamp, Timmerman (Capacitor)	-	1
	M11084-27*	Screw, Self-tapping, Hex Hd., 10-12 x 1/2 in. (Clamp/Support)	-	1
20	1000576	Grommet (Motor Leads in Bracket)	1	-
	1000577	Grommet (Motor Leads in Bracket)	-	2
21	1000576	Grommet (Motor Leads in Base/Lower Shell)	2	2
22	M15561G2	Sail Switch Assembly	1	1
23	M15560	Sail	1	1
	RC-00-2C	Screw, Rd. Hd., 4-40 x 1/4 in. (Sail to Switch)	2	2
	NLC-00C	Nut, Flexloc, 4-40 (Sail to Switch)	2	2
24	M18154	Micro-switch	1	1
	RC1-7C	Screw, Rd. Hd., 6-32 x 7/8 in. (Switch-Bracket)	2	2
	NTC-1C	Nut, Torque Lock, 6-32	2	2
25	M15558	Bracket, Micro-switch	1	1
	M11084-27*	Screw, Self-tapping, No. 10-12 x 1/2 in. (Sail Switch-Lower Shell)	2	2
	M13942-2	Connector (Wire Nut)(Micro-switch to Gas Valve)	1	1
	M18598G1	Relay and Bracket Assembly	-	1
25A	M12462-6	Relay	-	2
	RC2-2C	Screw, Rd. Hd., 8-32 x 1/4 in. (Relay-Bracket)	-	2
	WL1-2	Lock Washer, Internal Tooth, No. 8	-	1
25B	M11952	Bracket, Relay	-	1
	M11084-27*	Screw, Self-tapping, No. 10-12 x 1/2 in. (Relay-Lower Shell)	-	1
	M9900G54	Wire, Black (Relay-Line)	-	1
	M9900G81	Wire, Blue (Relay-Capacitor)	-	1
26	M16588A	Lower Shell	1	-
	M18563A	Lower Shell	-	1
27	M10813G37	Extension, Cord Assembly (Service)	1	1
	M13942-4	Connector, Cord Assembly (Wire Nut)	2	2
28	M11954	Bushing, Strain Relief	1	1
29	M19837-1	Hose Line Assembly, 10 foot	1	-
	M19844	Hose Line Assembly, 10 foot	-	1
	M17507G1	Gas Regulator Assembly	1	-
	M18588G1	Gas Regulator Assembly	-	1
30	M17489	Regulator, Gas	1	-
	M18589	Regulator, Gas	-	1
31	M19328	Valve, Excess Flow	1	1
31A	M18171	Bushing, Reducer	-	1
32	M17506	Fuel Line (Pilot)	1	-
	M18543	Fuel Line (Pilot)	-	1
32A	M5772	Connector, Male	1	1
32B	M20341	Adaptor	1	1
32C	M20342	Filter, Pilot Line	1	-
32D	M18176	Connector, Hex	1	-
33	M18177G1	Fuel Line (Valve-Burner)	1	-
	M18546G2	Fuel Line (Valve-Burner)	-	1
34	M17485	Thermocouple (Base K15DS-30)	1	1
35	M18161G1A	Base	1	-
	M18568G1A	Base	-	1
	M6572	Plug, Button	2	2
35A	M18198	Coupling, Reducing (Fuel Line-Connector)	1	1
36	M17502	Connector (Fuel Line-Valve and Fittings Assembly)	1	1
37	M17491	Plug, Hex Hd.	1	1
38	M17812	Washer	1	1
39	REF	Valve and Fittings Assembly (See Figure 9)	1	1
40	M16599A	Frame, Support	2	2
41	M12345-34	Screw, Oval hd., 10-24 x 2 in. (Base-Handle/Frame)	6	4
42	RPC3-10C	Screw, Rd. hd., 10-24 x 1-1/4 in. (Base-Frame)	2	4
43	WP-3C	Washer, Flat, No. 10	2	4
44	NTC-3C	Nut, Torque Lock, 10-24 (Base-Handle/Frame)	8	8
45	M18160A	Plate, Base Bottom	2	2
	RC3-4C	Screw, Rd. hd., No. 10-24 x 1/4 in.	4	4
	WP-3C	Washer, Flat, No. 10	4	4
	NTC-3C	Nut, Torque Lock, No. 10-24	4	4
46	M18104	Trim, Plastic	1	1
	M9900G64	Wire, Red (Service Cord-Microswitch)	1	-
	M9900G82	Wire, White (Service Cord-Microswitch)	-	1
	M9900G65	Wire, Blue (Microswitch-Gas Valve)	1	1

Master Propane Model BLP 100 v BLP 200A

Index No.	Number	Part Name or Description	BLP-100	BLP-200A
1	M21869G1A	Upper Shell Assembly	1	-
	M21845A	Upper Shell Assembly	-	1
2	M11271-6*	Nut, Tinnerman (Upper Shell to Lower Shell)	5	-
	M11271-6*	Nut, Tinnerman (Upper Shell to Lower Shell)	-	8
3	M11084-27*	Screw, Self-tapping, Hex Hd., No. 10-12 x 1/2 in. Type A (Upper Shell to Lower Shell)	5	-
	M11084-27*	Screw, Self-tapping, Hex Hd., No. 10-12 x 1/2 in. Type A (Upper Shell to Lower Shell)	-	8
4	M17523A	Handle	1	-
	M18569A	Handle	-	1
4A	M16875	Heat Deflector	1	-
	M16679	Heat Deflector	-	1
	M11084-29*	Screw, Self-tapping, 10-12 x 3/4 in. (Heat Deflector)	2	2
5	M18100G1	Combustion Chamber	1	-
	M21837-1	Combustion Chamber	-	1
	M11084-27*	Screw, Self-tapping, Hex Hd., No. 10-12 x 1/2 in. (Combustion Chamber)	2	2
6	REF	Burner Head Assembly (See Figure 8)	1	1
	M11084-25*	Screw, Self-tapping, No. 10-12 x 1/4 in. (Burner Head)	-	6
	M11084-26	Screw, Self-tapping, No. 10-12 x 3/8 in. (Burner Head)	3	-
7	M12330	Bracket, Shell Support	1	-
	M12828	Bracket, Shell Support	-	1
	M11084-27*	Screw, Self-tapping, Hex Hd., No. 10-12 x 1/2 in. (Shell Support to Base)	4	6
	M11084-29*	Screw, Self-tapping, Hex Hd., No. 10-12 x 3/4 in. (Shell Support to Base)	2	2
8	M17501	Grommet (Gas and Pilot Lines/Base and Lower Shell)	2	2
9	M12331	Housing, Fan	1	-
9A	M16871	Strap, Retainer	-	1
	M11084-27*	Screw, Self-tapping, No. 10-12 x 1/2 in. (Housing/Strap to Base)	2	2
10	M12464	Fan, 20" Pitch	1	-
	M18556	Fan, 24" Pitch	-	1
	SFK-4-2	Setscrew, Soc. Hd., Knurled, cup pt., 1/4-28 x 1/4 in.	2	2
11	M16661	Clamp, Motor Mounting	4	4
12	HC4-10C*	Screw, Hex Hd., 1/4-20 x 1-1/4 in. (Motor Clamps)	2	2
13		NOT USED		
14	WLM-4*	Lock Washer, 1/4 in.	2	2

