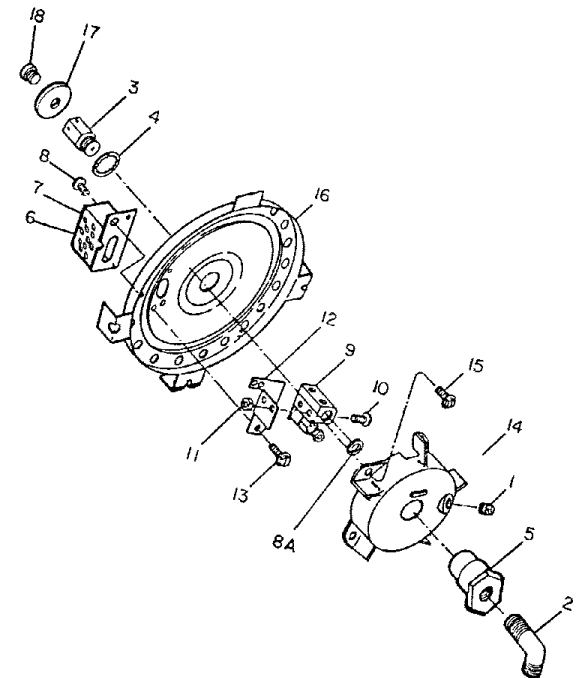
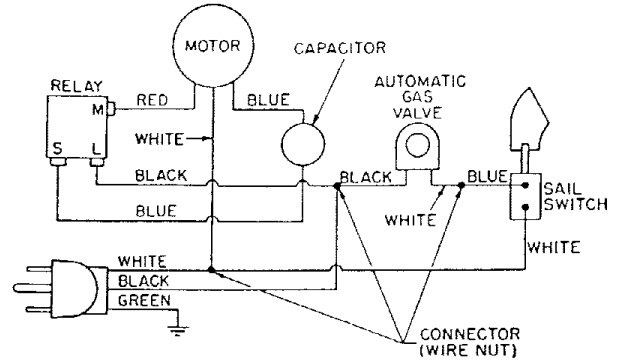
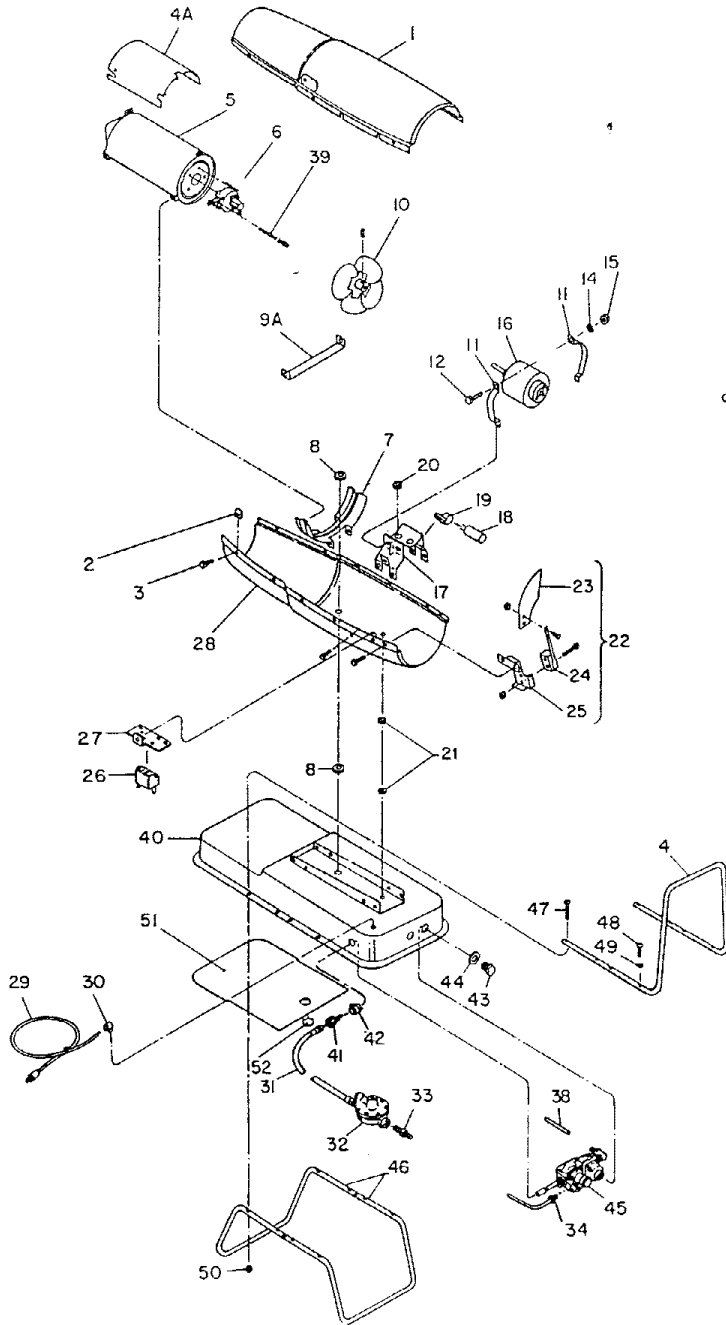


# Master PROPANE

Form # 2664 7-70

# BLP200C.A

Spec # 3064G7



- |    |           |  |   |
|----|-----------|--|---|
| 1  | M13990    | • Plug, Pipe 1/4 inch sq.                            | 1 |
| 2  | M20133    | • Elbow  | 1 |
| 3  | M17473G3  | • Nozzle Assembly                                    | 1 |
| 4  | M16741-18 | • Retaining Ring                                     | 1 |
| 5  | M21835    | • Adaptor, Nozzle                                    | 1 |
| 6  | M21833    | • Cover, Shield                                      | 1 |
| 7  | M21832-1  | • Shield Pilot Assembly                              | 1 |
| 8  | M11084-38 | • Screw, Hex hd., Type A, 8 x 3/8 inch, Self tapping | 1 |
| 8A | M21586    | • Spacer   | 1 |
| 9  | M17486-2  | • Burner, Pilot                                      | 1 |
| 10 | RC1-3     | • Screw, Rd., hd., 6-32 x 3/8 inch                   | 2 |
| 11 | NTC-1     | • Nut, Torque Lock, 6-32                             | 2 |
| 12 | M18102    | • Bracket, Pilot Mounting                            | 1 |
| 13 | M11084-38 | • Screw, Hex hd., Type A, 8 x 3/8 inch, Self-tapping | 2 |
| 14 | M21836    | • Body Burner  | 1 |
| 15 | M11084-27 | • Screw, Hex hd., Type A, 10-12 x 1/2 inch           | 3 |
| 16 | M21840    | • Head, Rear   | 1 |
| 17 | M21834    | • Baffle Plate, Nozzle                               | 1 |
| 18 | RF3-2SS   | • Screw, Rd., hd., 10-32 x 1/4 inch                  | 1 |

# Master Propane BLP 200C-A Spec# 3064G7

7-1	M21845-1A	Upper Shell Assembly	1
2	*M11271-6	Nut, Tinnerman (Upper Shell to Lower Shell)	8
3	*M11084-27	Screw, Self-tapping, Hex hd., No. 10-12 x 1/2 inch, Type A, (Upper Shell to Lower Shell)	8
4	M18569A	Handle	1
4A	M16679	Heat Deflector	1
	*M11084-29	Screw, Self-tapping, 10-12 x 3/4 inch, (Heat Deflector)	2
5	M21837-2	Combustion Chamber	1
	*M11084-27	Screw, Self-tapping, Hex hd., No. 10-12 x 1/2 inch, (Combustion Chamber)	2
6	REF.	Burner Head Assembly (See figure 8)	1
	*M11084-25	Screw, Self-tapping, No. 10-12 x 1/4 inch (Burner Head)	6
7	M12828A	Bracket, Shell Support	1
8	M17501	Grommet (Gas and Pilot Lines, Base and Lower Shell)	2
9		Not Used	
9A	M16871	Strap, Retainer	1
	*M11084-27	Screw, Self-tapping, No. 10-12 x 1/2 inch, (Housing and Strap to Base)	2
10	M18556	Fan 24° Pitch	1
	SFK-4-2	Setscrew, Socket hd., knurled cup pt. 1/4-28 x 1/4 inch, (Furnished with fan)	2
11	M16661	Clamp, Motor Mounting	4
12	*HC4-10C	Screw, Hex hd., 1/4-20 x 1-1/4 inch (Motor Clamps)	2
13		Not Used	
14	*WLM-4	Lock Washer, 1/4 inch	2
15	*NPC-4C	Nut, Plain Hex, 1/4-20	2
16	M18552-1	Motor	1
	M21268	Housing, Amp	2
17	M16645	Bracket, Motor Support	1
	*M11084-27	Screw, Self-tapping, Hex hd., 10-12 x 1/2 inch, (Bracket to Base and Lower Shell)	6
18	M12650-1	Capacitor	1
19	M12651	Clamp, Tinnerman (Capacitor)	1
	M11084-27	Screw, Self-tapping, Hex hd., 10-12 x 1/2 inch, (Clamp/Support)	1
20	1000577	Grommet (Motor Leads in Bracket)	2
21	1000576	Grommet (Motor Leads in Base and Lower Shell)	2
23	M15560	. Sail	1
	RC-00-2C	. Screw, Rd hd., 4-40 x 1/4 inch (Sail to Switch)	2
	NLC-00C	. Nut, Flexloc, 4-40 (Sail to Switch)	2
24	M18154	. Microswitch	1
	RC1-7C	. Screw, Rd hd., 6-32 x 7/8 inch (Switch-Bracket)	2
	NTC-1C	. Nut, Torque Lock, 6-32	2
25	M15558	. Bracket, Microswitch	1
	*M11084-27	. Screw, Self-tapping, No. 10-12 x 1/2 inch, (Sail Switch-Lower Shell)	2
	M13942-2	Connector, Wire (Microswitch to Gas Valve)	1
26	M12462-6	Relay and Bracket Assembly	N/A
	RC2-2C	. Relay	1
	WL1-2	. Screw, Rd hd., 8-32 x 1/4 inch, (Relay-Bracket)	2
27	M11952	. Lock Washer, Internal tooth, No. 8	2
	*M11804-27	. Bracket, Relay	1
		Screw, Self-tapping, No. 10-12 x 1/2 inch, (Relay-Lower Shell)	1
28	M9900G54	Wire, Black (Relay-Line)	1
	M9900G81	Wire, Blue (Relay-Capacitor)	1
29	M18563A	Lower Shell	1
	M10813G37	Extension Cord Assembly (Service)	1
	M21268	Housing Amp	3
	M13942-4	Connector, Wire Nut	2
	M13942-2	Connector, Wire Nut	1
30	M11954	Bushing, Strain Relief	1
31	M21267	Hose Line Assembly, 10 foot	1
	M18588G1	Gas Regulator Assembly	1
32	M18588	. Regulator, Gas	1
33	M18171	. Bushing, Reducer	1
34	M18543	Fuel Line, Pilot	1
38	M18546G2	Fuel Line (Valve-Burner)	1
39	M17485	Thermocouple	1
40	M18568G1	Base	1
41	M18198	Coupling, Reducing (Fuel Line-Connector)	1
42	M17502	Connector (Fuel Line-Valve and Fittings Assembly)	1
43	M17491	Plug, Hex hd.	1
44	M17812	Washer	1
45	REF.	Valve and Fittings Assembly (See figure 9)	1
46	M16599A	Frame, Support	2
47	*M12345-34	Screw, Oval hd., 10-24 x 2 inch (Base to Handle to Frame)	4
48	RPC3-10C	Screw, Rd., hd., 10-24 x 1-1/4 inch (Base to Frame)	4
49	WP-3C	Washer, Flat, No. 10	4
50	NTC-3C	Nut, Torque Lock 10-24 (Base to Handle to Frame)	8
51	M18160	Plate, Base Bottom	2
	RC3-4C	Screw, Rd., hd., No. 10-24 x 1/4 inch	4
	WP-3C	Washer, Flat	4
	NTC-3C	Nut, Torque Lock, No. 10-24	4
52	M6572	Plug, Button	4
	M9900G82	Wire, White (Service Cord to Microswitch)	2
	M9900G65	Wire, Blue (Microswitch-Gas Valve)	1