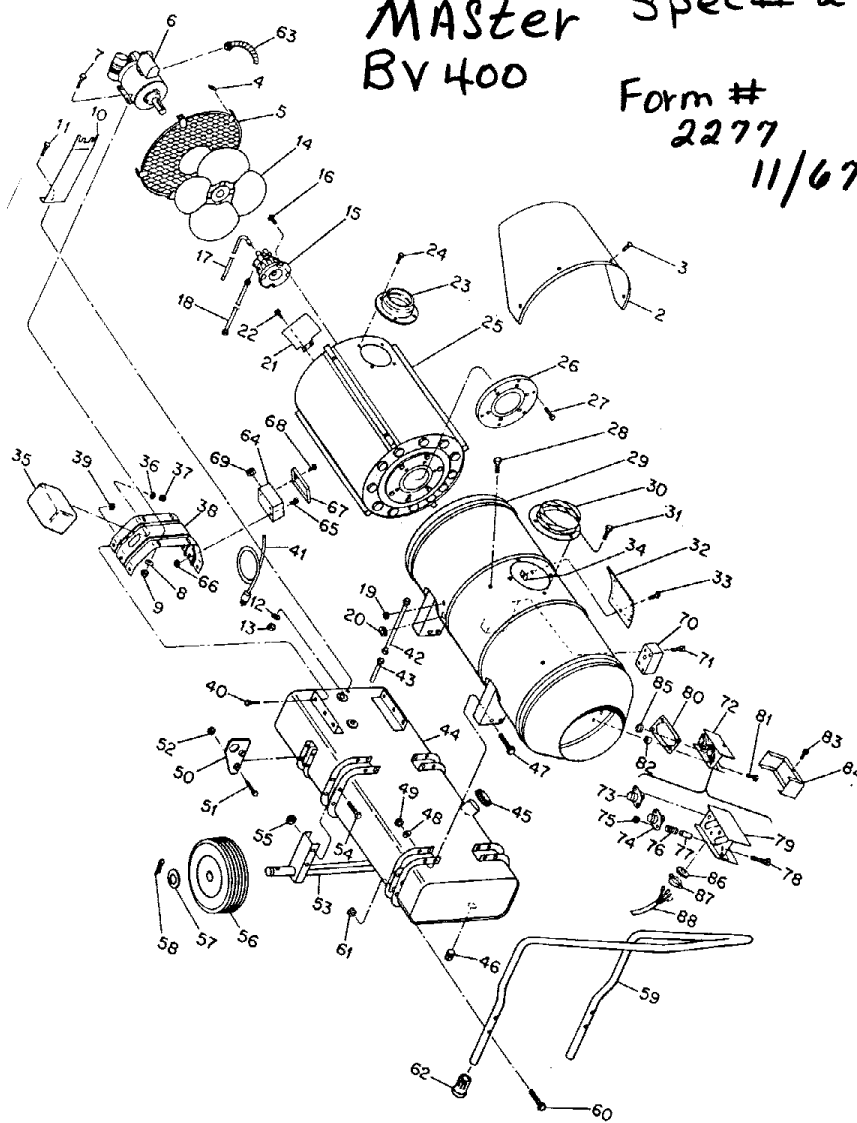


Master Spec# 2919G1 BV 400

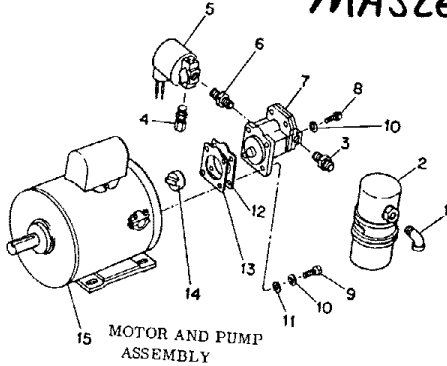
Form #
2277
11/67



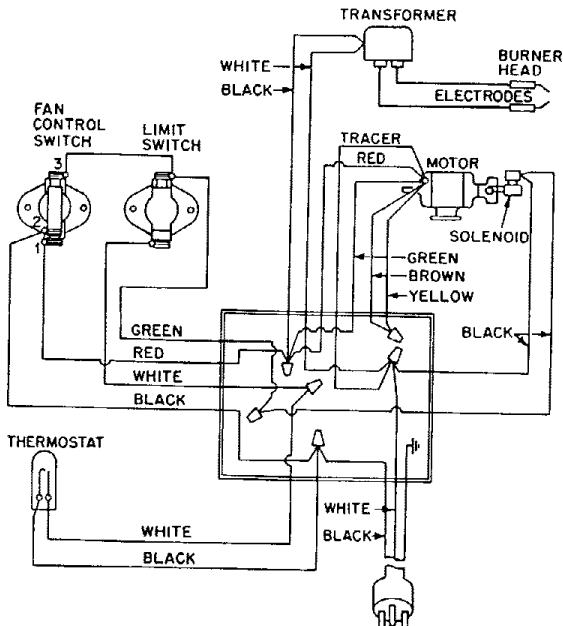
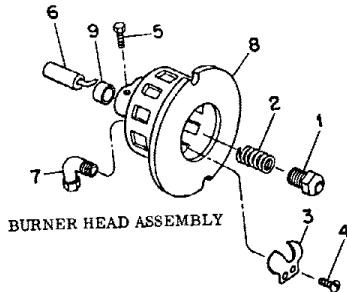
48	WP-4C	Washer, Plain, 1/4 in.	8
49	NTC-4C	Nut, Torque Lock, 1/4-20	8
50	M16116G1	Lifting Eye	4
51	HC4-20C	Screw, Hex hd, 1/4-20 x 2-1/2 in. (Rear Handle and Lifting Eyes to Fuel Tank)	4
52	NTC-4C	Nut, Torque Lock, 1/4-20	4
53	M8482	Axle Assy	1
54	HC4-20C	Screw, Hex hd, 1/4-20 x 2-1/2 in. (Axle Assy to Fuel Tank)	4
55	NTC-4C	Nut, Torque Lock, 1/4-20	4
56	M8111	Wheel	2
57	WP-10C	Washer, Plain, 5/8	4
58	C5-10C	Cotter Pin	2
59	M15842	Handle, Front	1
60	HC4-20C	Screw, Hex hd, 1/4-20 x 2-1/2 in. (Front Handle and Lifting Eyes to Fuel Tank)	4
61	NTC-4C	Nut, Torque Lock, 1/4-20	4
62	M3304-3	Rubber Foot	2

1	M16114G1	Handle Assy, Rear	1
2	M15835	Cowl	1
3	M11084-27	Screw, Self-tapping, hex hd, No. 10-12 x 1/2 in., Type "A" (Attach Cowl and Screen)	7
4	M11271-6	Nut, Tinnerman (Attach Cowl and Screen)	7
5	M17531G1	Guard Screen Assy	1
6	M17741G1	Motor and Pump Assy (See Fig. 6)	1
7	HC6-10C	Screw, Hex hd, 3/8-16 x 1-1/4 in., (Motor to Support)	4
8	WP-6C	Washer, Plain, 3/8 in. (Motor to Support)	4
9	NTC-6C	Nut, Torque Lock, 3/8-16	4
10	M16793	Bracket, Support	1
11	HF3-4C	Screw, Hex hd, No. 10-32 x 1/2 in. (Bracket to Tank)	1
12	WLM-3C	Lockwasher, No. 10 (Bracket to Tank)	1
13	NPF-3C	Nut, Hex, No. 10-32 (Bracket to Tank)	1
14	M16050	Fan	1
15	M9107G8	Burner Head Assy (See Fig. 7)	1
16	M12461-63	Screw, Hex hd, 1/4-20 x 1/2 in. (Attach Burner Head)	2
17	M14970	Electrode Lead Assy	2
18	M16049	Fuel Line (Pump to Burner)	1
19	1000576	Grommet (Electrode Leads through Shell)	2
20	M3530	Grommet, 7/8 in. (Fuel line through Shell)	1
21	M15853	Deflector, Air	5
22	M10908-38	Screw, Self-tapping, Hex hd, No. 12-24 x 3/8 in. (Deflectors to Heat Exchanger)	10
23	M15844	Casting, Exhaust	1
24	M10908-27	Screw, Self-tapping, hex hd, No. 10-32 x 1/2 in. (Exhaust Casting to Heat Exchanger)	4
25	M15836G1	Heat Exchanger Assy	1
26	M17389G1	Front Head Assy	1
27	M12461-27	Screw, Hex hd, No. 10-32 x 1/2 in. (Front Head to Heat Exchanger)	6
28	M12461-27	Screw, Hex hd, No. 10-32 x 1/2 in. (Heat Exchanger Assy to Outer Shell)	8
29	M15845G1	Outer Shell Assy	1
30	M15838G1	Stack Guard	1
31	M10908-27	Screw, Self-tapping, Hex hd, No. 10-32 x 1/2 in. (Stack Guard to Shell)	4
32	M16051G1	Access Door Assembly	1
-	M6299	Operating Instructions	1
33	RF3-2C	Screw, Rd. hd, No. 10-32 x 1/4 in. (Access Door)	1
34	M11271-3	Nut, Tinnerman	1
35	M3259-3	Transformer	1
36	WLM-4C	Lockwasher, 1/4 in. (Transformer mounting)	2
37	NPC-4C	Nut, Hex, 1/4-20	2
38	M16169	Support, Motor	1
39	NTC-4C	Nut, Torque Lock, 1/4-20 (Motor Support to Fuel Tank)	6
40	HC4-4C	Screw, Hex hd, 1/4-20 x 1/2 in.	6
41	M10813G12	Extension (Service) Cord Assy	1
42	M3334G13	Fuel Line Assy (Tank to and from Pump)	2
43	M10923G1	Intake and Return Tube Assy (In Fuel Tank)	2
44	M15827G1	Fuel Tank Assy	1
45	M3353	Cap, Filler Neck	1
46	M17069	Plug, Pipe	1
47	HC4-20C	Screw, Hex hd, 1/4-20 x 2-1/2 in. (Outer Shell to Fuel Tank)	8

MASTER BV400 Spec # 2919G1



1	M16048	. Nozzle	1
2	M4274	. Spring	1
3	M3978	. Deflector, Air	1
4	RC1-2	. Screw, Rd. hd., No. 6-32 x 1/4 in.	2
5	HF3-3	. Screw, Hex hd., No. 10-32 x 3/8 in.	2
6	M3981	. Electrode	2
7	M2294	. Fitting	1
-	M3853G5	. Burner Body and Bushing Assy	1
8	M5273	. Burner Body	1
9	M16712	. Bushing, Electrode	2



1	57413	. Street Elbow	1
2	M3973	. Filter	1
-	M3301-1	. Filter Element (Replacement)	1
-	M3301-2	. Filter Gasket (Replacement)	1
-	M4307	. Filter Can (Replacement)	1
3	M3463	. Nipple, Hex, 1/4-18 NPTF	1
4	M5976	. Fitting	1
5	M3974-4	. Valve, Fuel Solenoid	1
6	M3297	. Nipple, Hex reducing, 1/4 to 1/8 NPTF	1
7	M17051	. Pump, Fuel	1
8	HC5-6C	. Screw, Hex hd, 5/16-18 x 3/4 in.	2
9	HC5-7C	. Screw, Hex hd, 5/16-18 x 7/8 in.	2
10	WLI-5C	. Lockwasher, Internal tooth, 5/16 in.	4
11	WP-5C	. Washer, Flat	2
12	M8234	. Spacer	1
13	M3547	. Gasket	1
14	M3473	. Coupling	1
15	M16006	. Motor	1

CONTROL PARTS

63	M15141-1	. Conduit, Motor Leads	1
-	M15140	. Connector, Straight (Motor Leads)	1
64	M3307	. Box, Utility	1
65	M12461-27	. Screw, Hex hd, No. 10-32 x 1/2 in. (Utility Box to Motor Support)	2
66	NTF-3C	. Nut, Torque Lock, No. 10-32	2
67	M5837	. Cover, Box	1
68	FC1-2C	. Screw, Rd. hd., No. 6-32 x 1/4 in. (Cover to Box)	2
69	M3530	. Grommet	4
-	M13942-2	. Connector (Wire Nut)	5
-	M13942-1	. Connector (Wire Nut)	1
70	M17667	. Thermostat Assy	1
71	M10908-1	. Screw, Self-tapping, hex hd, No. 6-32 x 1/4 in., Type "S" (Thermostat to Outer Shell)	4
72	M12656G4	. Controls and Box Assembly	1
73	M12303	. Thermostat, Limit	1
74	M12302	. Thermostat, Fan	1
75	NPC-2C	. Hex Nut, No. 8-32 (Thermostat Mounting)	4
76	M16740	. Spring	4
77	M12297-2	. Collar	4
78	M12461-20	. Screw, Hex hd, No. 8-32 x 1-1/8	4
79	M12657G1	. Control Box	1
80	M16710	. Gasket	1
81	M10908-31	. Screw, Self-tapping, hex hd, No. 8-32 x 1 in., Type "S" (Control Box Mounting)	4
82	M13042	. Spacer	2
83	M10908-1	. Screw, Self-tapping, hex hd, No. 6-32 x 1/4 in., Type "S" (Cover to Control Box)	1
84	M12661	. Cover, Control Box	1
85	M12662-1	. Spacer	2
86	M3530	. Grommet	1
87	1001349	. Connector	1
88	M15082G2	. Cable Assy (To Utility Box)	1