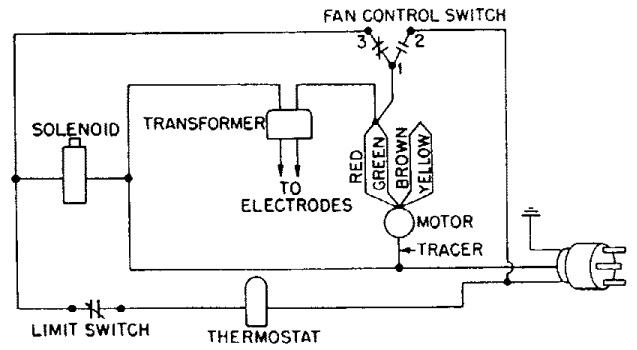
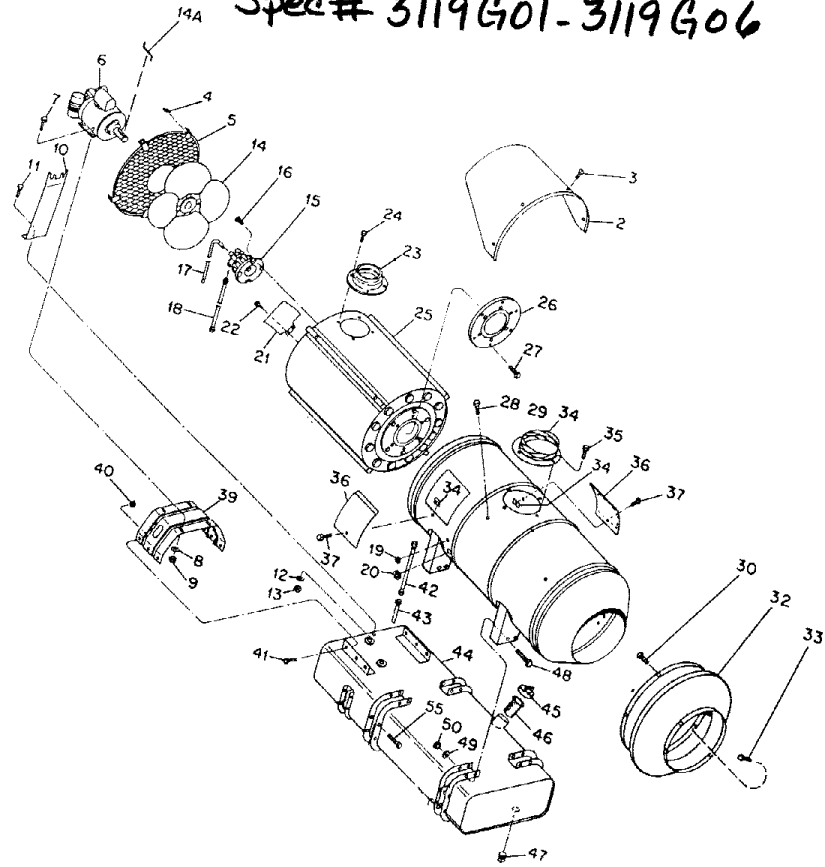


# Master BV400A - BV400AS

Spec# 3119G01-3119G06

Form# 2834 6/72

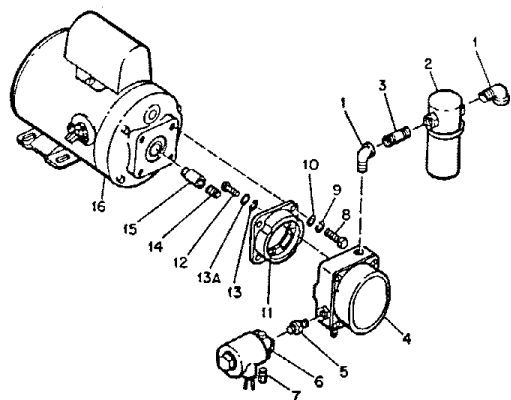
BV-400A  
BV-400AS



1	M16114-1A	Handle Assy, Rear	1	1
2	M15835A	Cowl	1	1
3	M11084-29	Screw, Self-tapping, hex hd, 10-12 x 3/4	7	7
4	M11271-6	Nut, Tinnerman	7	7
5	M17531-1A	Guard Assembly, Screen	1	1
6	REF	Motor and Pump Assy (See Fig. 6)		NA
7	HC6-10C	Screw, Hex hd, 3/8-16 x 1-1/4 in.	4	4
8	WP-6C	Washer, Plain, 3/8 in.	16	16
9	NTC-6C	Nut, Torque lock, 3/8-16	4	4
10	M16793A	Bracket, Support	1	1
11	HF3-4C	Screw, Hex hd, No. 10-32 x 1/2	1	1
12	WLM-3C	Lockwasher, No. 10	1	1
13	NPF-3C	Nut, Hex, No. 10-32	1	1
14	M16050	Fan	1	1
14A	M24177	Key, Fan Locating	1	1
15	M18666-1	Burner Head Assy (See Fig. 7)	1	1
16	M12461-63	Screw, Hex hd, 1/4-20 x 1/2 in.	2	2
17	M10816-30	Electrode Lead Assy	2	2
18	M23384	Fuel Line (Pump to Burner)	1	1
19	M1000576	Grommet (Electrode Leads)	2	2
20	M3530	Grommet, 7/8 in. (Fuel Line)	5	5
21	M15853	Deflector, Air	5	5
22	M12461-62	Screw, Hex hd, 1/4-20 x 3/8 in.	10	10
23	M15844A	Castings, Exhaust	1	1
24	M10908-27	Screw, Self-tapping, hex hd. 10-32 x 1/2 in.	4	4
25	M15836-7	Heat Exchanger Assy	1	1
26	M17389-2	. Front Head Assy	1	1
27	M12461-27	. Screw, Hex hd No. 10-32 x 1/2 in.	6	6
28	M12461-27	Screw, Hex hd No. 10-32 x 1/2 in.	8	8
29	M18331-3A	Outer Shell Assy	1	1
30	M10908-26	Screw, Self-tapping hex hd, No. 10-32 x 3/8 in.	7	7
31	M24030A	Nose Cone	1	1
32	M24029-1A	Aspirator Assembly	1	1
33	M11084-27	Screw	12	12
34	M17531-1A	Stack Guard	1	1
35	M10908-27	Screw, Self-tapping, hex hd No. 10-32 x 1/2 in.	4	4
36	M4812-3A	Door, Access	1	1
37	RF3-2C	Screw, Rd hd No. 10-32 x 1/4 in.	1	1
38	M11271-3	Nut, Tinnerman	1	1
39	M16169A	Support, Motor	1	1
40	NTC-4C	Nut, Torque Lock 1/4-20	6	6
41	HC4-4C	Screw, Hex hd, 1/4-20 x 1/2 in.	6	6
42	M3334-10	Fuel Line Assy	1	1
-	M3334-7	Fuel Line Assy	1	1
43	M10923-1	Intake and Return Tube Assy	2	2
44	M18384-2A	Fuel Tank Assy	1	1
45	M23284	Cap, Filler Neck	1	1
46	M18053	Screen, Fuel Tank	1	1
47	M8257	Plug, Pipe	1	1
48	HC4-20C	Screw, Hex hd, 1/4-20 x 2-1/2 in.	8	8
49	WP-4C	Washer, Plain, 1/4 in.	8	8
50	NTC-4C	Nut, Torque Lock 1/4-20	8	8
57	M16117-2A	Plate, Lifting eye	4	4
	M15114-3A	Tube, Spacer	8	8
52	HC4-20C	Screw, Hex hd 1/4-20 x 2-1/2 in.	4	4

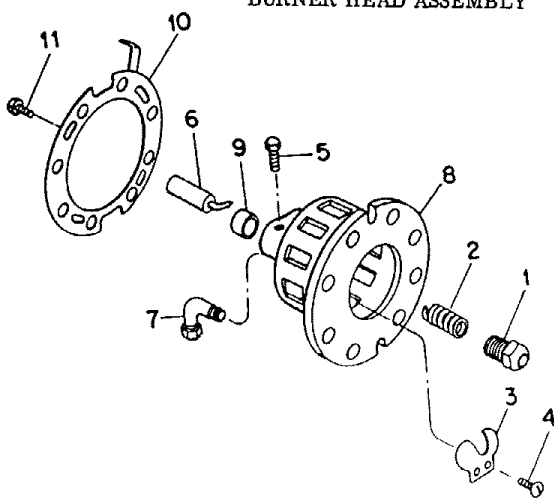
# Master BV400 A. BV400 AS Spec# 3119G01-3119G06

## MOTOR AND PUMP ASSEMBLY



1	57413	Elbow, Street 1/4 in.	2
2	M3973	Filter, Fuel	1
	M4307	. Filter Can	1
	M3301-2	. Filter Gasket	1
	M3301	. Filter Element	1
3	M3463	Nipple, Hex, 1/4-18 NPTF	1
4	M22872-2	Pump, Fuel	1
5	69246	Nipple, Pipe 1/8 in.	1
6	M3974-7	Valve, Solenoid	1
7	M5976	Connector, Male	1
8	*HC5-7C	Screw, Hex hd, 5/16-18 x 3/4 in.	4
9	*WLM-5C	Lockwasher, 5/16 in.	4
10	*WP-5C	Washer, Plain, 5/16 in.	4
11	M22348	Adaptor	1
12	*RF3-6C	Screw, Rd. hd., No. 10-32 x 3/4 in.	3
13	*WLM-3	Lockwasher No. 10	3
13A	WP-3C	Washer, Flat	3
14	M18436	Spring	1
15	M22873	Coupling	1
16	M16006	Motor, Lead Alteration	1

## BURNER HEAD ASSEMBLY



1	M18303	. Nozzle	1
2	M4274	. Spring	1
3	M3978	. Deflector, Air	1
4	RC1-2	. Screw, Rd. hd., No. 6-32 x 1/4 in.	2
5	HF3-3	. Screw, Hex hd., No. 10-32 x 3/8 in.	2
6	M3981	. Electrode	2
7	69248	. Elbow	1
	M3853G8	. Burner Body and Bushing Assy	1
8	M18665	. Burner Body	1
9	M16712	. Bushing, Electrode	2
10	M16650G1	. Shutter Plate Assy	1
11	M12461-25	. Screw, Hex hd., No. 10-32 x 1/4 in.	4