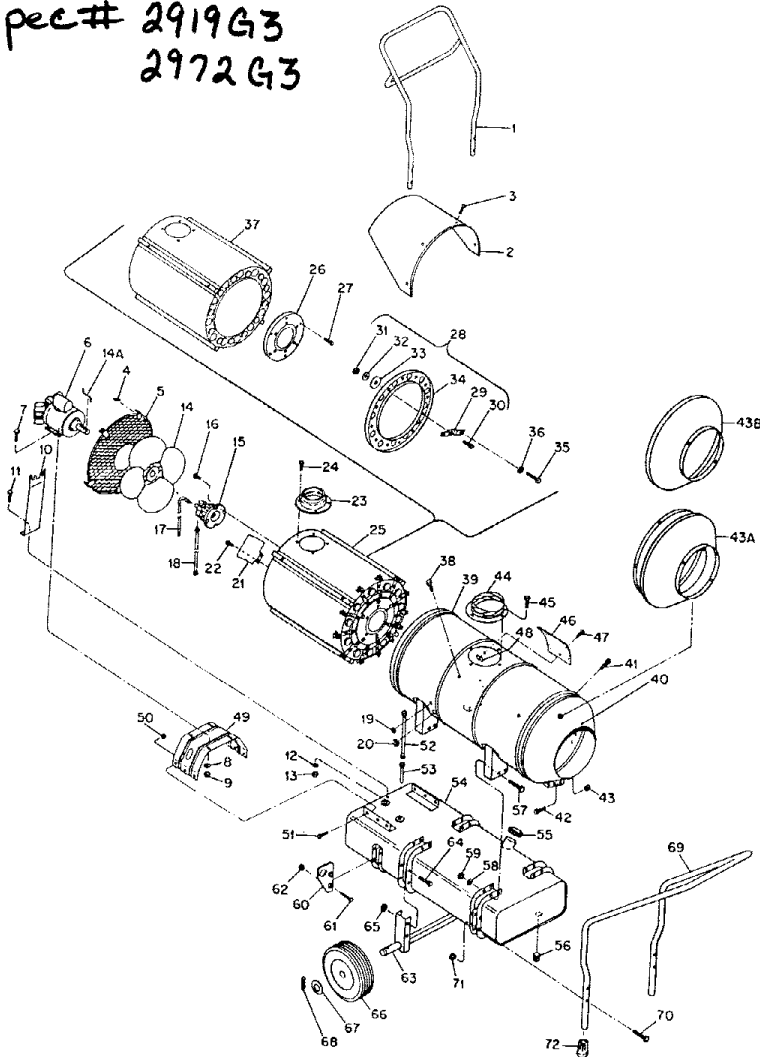


CANADA
 MASTER BV400C - BV400CA
 Spec# 2919G3
 2972G3

Form# 2373 10/68



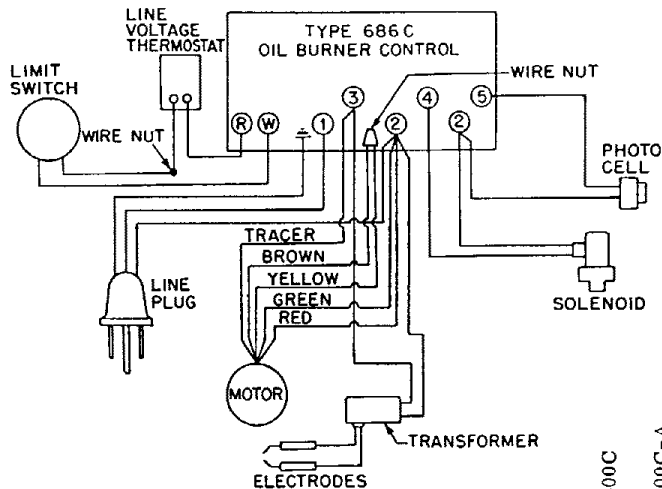
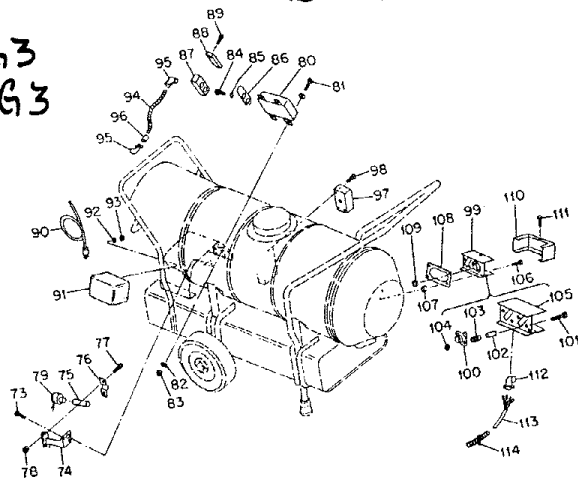
			BV-400C	BV-400C-A
36	WLM-3	Lockwasher, No. 10	-	24
36	WLM-2	Lockwasher, No. 8	24	-
37	M16167G1	Heat Exchanger	1	1
38	M12461-27	Screw, Hex hd, No. 10-32 x 1/2 in. (Heat Exchanger Assy to Outer Shell)	8	8
39	M16164G1	Outer Shell and Nose Cone Assy	1	-
39	M18331G3	Outer Shell Assy	-	1
40	M16172	Conc, Outer Shell	1	-
41	M10908-26	Screw, Self-tapping, hex hd, No. 10-32 x 3/8 in. (Cone to Shell)	7	7
42	M12461-27	Screw, Hex hd, No. 10-32 x 1/2 in. (Cone)	3	-
43	NTF-3C	Nut, Torque Lock, No. 10-32 (Cone)	3	-
-	M17831	Outer Shell Assy	1	-
43A	M18325G1	Nose Cone and Aspirator	-	-

1	M16114G1	Handle Assy, Rear	1	1
2	M15835	Cowl	1	1
3	M11084-27	Screw, Self-tapping, hex hd, No. 10-12 x 1/2 in., Type "A" (Attach Cowl and Screen)	7	7
4	M11271-6	Nut, Tinnerman (Attach Cowl and Screen)	7	7
5	M17531G1	Guard Screen Assy	1	1
6	M17741G1	Motor and Pump Assy (See Fig. 6)	1	1
7	HC6-10C	Screw, Hex hd, 3/8-16 x 1-1/4 in. (Motor to Support)	4	4
8	WP-6C	Washer, Plain, 3/8 in. (Motor to Support)	4	4
9	NTC-6C	Nut, Torque Lock, 3/8-16	4	4
10	M16793	Bracket, Support	1	1
11	HF3-4C	Screw, Hex hd, No. 10-32 x 1/2 in. (Bracket to Tank)	1	1
12	WLM-3C	Lockwasher, No. 10 (Bracket to Tank)	1	1
13	NPF-3C	Nut, Hex, No. 10-32	1	1
14	M16050	Fan	1	1
14A	M18026	Key, Fan Locating (May also be used on BV-400C)	-	1
15	M16648G1	Burner Head Assy (See Fig. 7)	1	-
15	M18666G1	Burner Head Assy (See Fig. 7)	-	1
16	M12461-63	Screw, Hex hd, 1/4-20 x 1/2 in. (Attach Burner Head)	2	2
17	M14970	Electrode Lead Assy	2	-
18	M16049	Fuel Line (Pump to Burner)	1	1
19	1000576	Grommet (Electrode Leads through Shell)	2	2
20	M3530	Grommet, 7/8 in. (Fuel Line through Shell)	1	1
21	M15853	Deflector, Air	5	5
22	M10908-38	Screw, Self-tapping, hex hd, No. 12-24 x 3/8 in. (Deflectors to Heat Exchanger)	10	-
22	M12461-62	Screw, Hex hd, 1/4-20 x 3/8 in. (Deflectors to Heat Exchanger)	-	10
23	M15844	Casting, Exhaust	1	1
24	M10908-27	Screw, Self-tapping, hex hd, No. 10-32 x 1/2 in. (Exhaust Casting to Heat Exchanger)	4	4
25	M16176G1	Heat Exchanger Assy	1	1
26	M17389G1	Front Head Assy	1	1
27	M12461-27	Screw, Hex hd, No. 10-32 x 1/2 in. (Front Head to Heat Exchanger)	6	6
28	M16125G1	Cover Assy	1	1
29	M16127	Bracket	12	12
30	M12461-65	Screw, Hex hd, 1/4-20 x 3/4 in. (Brackets to Cover)	12	12
31	NTC-4C	Nut, Torque Lock, 1/4-20	12	12
32	M17372	Washer	12	12
33	M16128	Gasket	12	12
34	M16126	Cover, Heat Exchanger	1	1
35	M12461-21	Screw, Hex hd, #8-32 x 1-1/4 in. (Cover to Heat Exchanger)	24	-
35	M12461-57	Screw, Hex hd, No. 10-24 x 1-1/4 in. (Cover to Heat Exchanger)	-	24

BV-400C
 BV-400C-A

Master
Spec#
2919G3
2972G3

BV400C - BV400CA



			BV-400C	BV-400C-A
99	M12656G3	Controls and Box Assy	1	1
100	M12303-2	. Thermostat, Limit (Limit switch)	1	1
101	M12461-20	. Screw, Hex hd, No. 8-32 x 1-1/8 (Limit thermostat to Control Box)	2	2
102	M12297-2	. Collar	2	2
103	M16740	. Spring	2	2
104	NPC-2C	. Nut, Hex, No. 8-32	2	2
105	M12657G1	. Control Box Assy	1	1
106	M10908-28	Screw, Self-tapping, hex hd, No. 10-32 x 5/8 in., Type "S" (Control Box to Outer Shell)	4	4
107	M13042	Spacer	4	-
108	M16710	Gasket	1	1
109	M12662-2	Spacer	1	1
110	M12661	Cover, Control Box	1	1
111	M10908-1	Screw, Self-tapping, Hex hd, No. 6-32 x 1/4 in. (Cover to Control Box)	1	1
112	56022	Connector, 90° (Conduit to Control Box and Utility Box)	2	1
113	M5845G24	Cable Assy	1	1
114	M15147-7	Conduit, 5 1/2 in. long (Control Box to Utility Box)	1	1

73	M11084-38	Screw, Self-tapping, hex hd, No. 8-15 x 3/8 in., Type "A" (Photo Cell Bracket to Combustion Chamber Head)	2	2
74	M13961	Bracket, Photo Cell	1	1
75	M13962	Tubing, Photo Cell	1	1
76	M13963	Clamp, Tubing	1	1
77	FHC1-4C	Screw, Fillister hd, No. 6-32 x 1/2 in. (Clamp to Bracket)	2	2
78	NTC-1C	Nut, Torque Lock, No. 6-32	2	2
79	M9211-5	Photo Cell	1	1
-	M15141-4	Conduit, 24 in. long (Photo Cell Leads to Control)	1	1
-	56022	Connector, 90° (Photo Cell Lead Conduit)	2	2
80	M15435	Penn Control (Type 686C)	1	1
81	HC4-6C	Screw, Hex hd, 1/4-20 x 3/4 in. (Control to Motor Support)	4	4
82	WP-4C	Washer, Plain, 1/4 in.	8	8
83	NTC-4C	Nut, Torque Lock, 1/4-20	4	4
84	M3586	Bushing, 1/2 in. (Utility Box to Control)	2	2
85	50460	Locknut, 1/2 in. (Utility Box to Control)	2	2
86	M5652	Spacer (Utility Box to Control)	2	2
87	M3307	Box, Utility	1	1
88	M5837	Cover, Utility Box	1	1
89	FC1-2C	Screw, Flat hd, No. 6-32 x 1/4 in. (Cover to Box)	2	2
-	M15714-2	Connector, Wire (Set-screw type with removable shell. In Utility Box)	2	2
90	M10813G21	Extension (Service) Cord Assy	1	1
-	M15140	Connector, Straight (Service Cord to Utility Box)	1	1
91	M3259-3	Transformer	1	1
92	WLM-4C	Lockwasher, 1/4 in. (Trans-	2	2
93	NPC-4C	Nut, Hex, 1/4-20	2	2
-	M15141-10	Conduit, 10 in. long (Transformer to Utility Box)	1	1
-	M15140	Connector, Straight (Conduit to Transformer)	1	1
-	56022	Connector, 90° (Conduit to Utility Box)	1	1
-	M15141-1	Conduit, 9 in. long (Motor leads)	1	-
-	M16853-1	Conduit (Motor leads)	-	1
94	M15141-9	Conduit, 12 in. long (Solenoid Leads)	1	1
95	56022	Connector, 90° (Solenoid Conduit at Solenoid and Utility Box)	2	-
-	M15140	Connector, Straight, Solenoid and Motor Leads	-	4
96	M15454	Insulator, Conduit (In Solenoid Lead Conduit)	2	2
-	69321-3S	Terminal (Solenoid)	2	2
97	M17666	Thermostat Assy	1	1
98	M10908-1	Screw, Self-tapping, hex hd,		

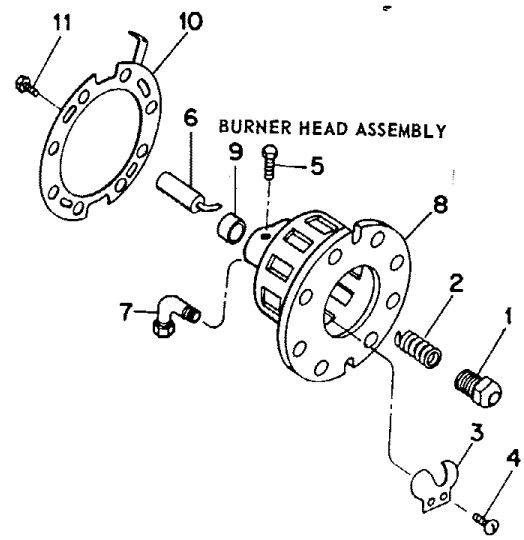
BV-400C
BV-400C-A

MASter BV400C - BV400CA

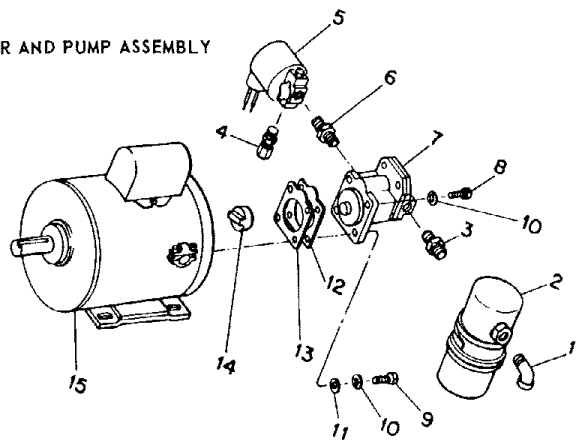
Spec#
2919G3
2972G3

44	M15838G1	Stack Guard	1	1
45	M10908-27	Screw, Self-tapping, Hex hd, No. 10-32 x 1/2 in. (Stack Guard to Shell)	4	4
46	M4812-3	Door, Access	1	1
47	RF3-2C	Screw, Rd. hd., No. 10-32 x 1/4 in. (Access Door)	1	-
47	M11084-27	Screw, Hex hd, No. 10-12 x 1/2 in. (Access Door)	-	1
48	M11271-6	Nut, Tinnerman	-	1
48	M11271-3	Nut, Tinnerman	1	-
49	M16169	Support, Motor	1	1
50	NTC-4C	Nut, Torque Lock, 1/4-20 (Motor Support to Fuel Tank)	6	6
51	HC4-4C	Screw, Hex hd, 1/4-20 x 1/2 in.	6	6
52	M3334G13	Fuel Line Assy (Tank to and from Pump)	2	2
53	M10923G1	Intake and Return Tube Assy (In Fuel Tank)	2	2
54	Ref.	Fuel Tank Assy (See Note at end of Parts List)	1	1
55	Ref.	Cap, Filler Neck	1	1
56	M17069	Plug, Pipe	1	1
57	HC4-20C	Screw, Hex hd, 1/4-20 x 2-1/2 in. (Outer Shell to Fuel Tank)	8	8
58	WP-4C	Washer, Plain, 1/4 in.	8	8
59	NTC-4C	Nut, Torque Lock, 1/4-20	8	8
60	M16116G1	Lifting Eye Assy (Superseded by M16117-2 Lifting Eye Plate and M15114-3 Spacer Tubes)	4	-
60	M16117-2	Plate, Lifting Eye	4	4
-	M15114-3	Tube, Spacer	8	8
61	HC4-20C	Screw, Hex hd, 1/4-20 x 2-1/2 in. (Rear Handle and Lifting Eyes to Fuel Tank)	4	4
62	NTC-4C	Nut, Torque Lock, 1/4-20	4	4
63	M8482	Axle Assy	1	1
64	HC4-20C	Screw, Hex hd, 1/4-20 x 2-1/2 in. (Axle Assy to Fuel Tank)	4	4
65	NTC-4C	Nut, Torque Lock, 1/4-20	4	4
66	M8111	Wheel	2	2
67	WP-10C	Washer, Plain, 5/8	4	4
68	C5-10C	Cotter Pin	2	2
69	M15842	Handle, Front	1	1
70	HC4-20C	Screw, Hex hd, 1/4-20 x 2-1/2 in. (Front Handle and Lifting Eyes to Fuel Tank)	4	4
71	NTC-4C	Nut, Torque Lock, 1/4-20	4	4
72	M3304-3	Rubber Foot	2	2

1	M16048	Nozzle	-	1
-	M18303	Nozzle	-	1
2	M4274	Spring	1	1
3	M3978	Deflector, Air	1	1
4	RC1-2	Screw, Rd. hd., No. 6-32 x 1/4 in.	2	2
5	HF3-3	Screw, Hex hd., No. 10-32 x 3/8 in.	2	2
6	M3981	Electrode	2	2
7	69248	Elbow	1	1
-	M3853G6	Burner Body and Bushing Assy	1	-
-	M3853G8	Burner Body and Bushing Assy	-	1
8	M16649	Burner Body	1	-
8	M18665	Burner Body	-	1
9	M16712	Bushing, Electrode	2	2
10	M16650G1	Shutter Plate Assy	1	1
11	M12461-25	Screw, Hex hd., No. 10-32 x 1/4 in.	4	4



MOTOR AND PUMP ASSEMBLY



1	57413	Street Elbow	-	1
2	M3973	Filter	-	1
-	M3301-1	Filter Element (Replacement)	-	1
-	M3301-2	Filter Gasket (Replacement)	-	1
-	M4307	Filter Can (Replacement)	-	1
3	M3463	Nipple, Hex, 1/4-18 NPTF	-	1
4	M5976	Fitting	-	1
5	M3974-4	Valve, Fuel solenoid	-	1
6	M3297	Nipple, Hex reducing, 1/4 to 1/8 NPTF	-	1
7	M17051	Pump, Fuel	-	1
8	HC5-6C	Screw, Hex hd, 5/16-18 x 3/4 in.	-	2
9	HC5-7C	Screw, Hex hd, 5/16-18 x 7/8 in.	-	2
10	WLI-5C	Lockwasher, Internal tooth, 5/16 in.	-	4
11	WP-5C	Washer, Flat	-	2
12	M8234	Spacer	-	1
13	M3547	Gasket	-	1
14	M3473	Coupling	-	1
15	M16006	Motor	-	1

BV-400C
BV-400C-A