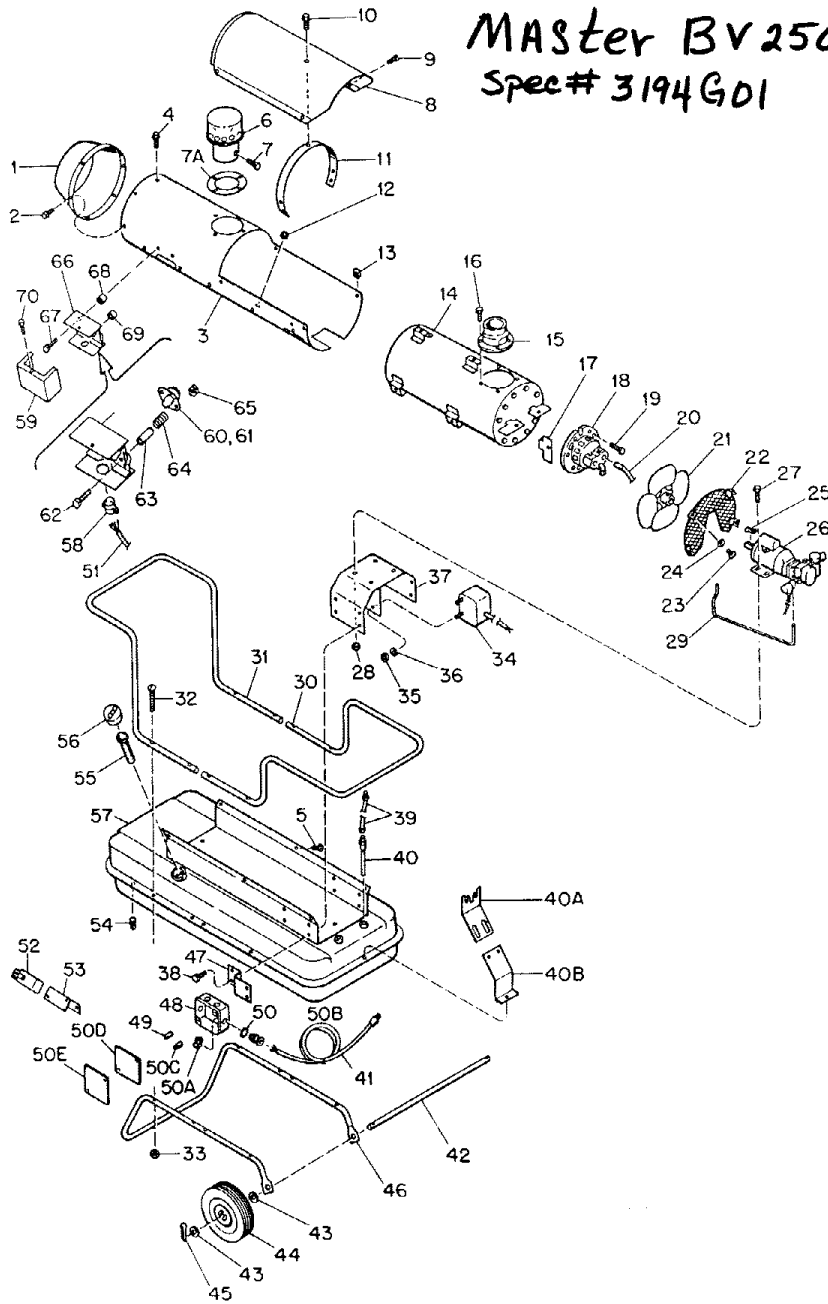


Master BV250 EA Form# 2839-03

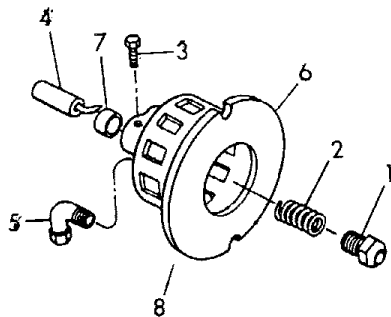
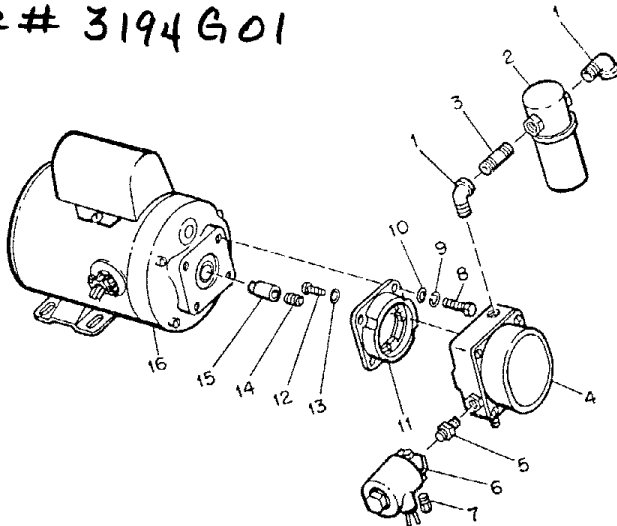
Spec# 3194G01



1	M18089A	Cone, Nose	1
2	M11084-27	Screw, Nex hd., 10-32 x 3/8 in.	6
3	M23487A	Shell Outer	1
4	M11084-27	Screw, Self tapping, 10-12 x 1/2 in.	4
5	M11084-27	Screw, Hex hd., 10-12 x 1/2 in. (AP)	6
6	M50314-01	Interrupter Assembly	1
7	M11084-27	Screw, Self-tapping, 10-12 x 1/2	4
7A	M11240A	Collar - Guard, Bracket	1
	M11084-27	Screw, Hex hd., No. 10-12 x 1/2 in. (AP)	4
8	M18087A	Cover, Outer shell	1
9	M11084-27	Screw, Self tapping, 10-12 x 1/2	4
10	M10908-27	Screw, Hex hd., No. 10-12 x 3/8 in.	5
11	M22905A	Support, Cover	1
12	1000576	Grommet	5
13	M11271-6	Nut, Tinnerman	6
14	M25118-1	Heat Exchanger Assembly	1
15	M10851A	Casting, Exhaust	1
16	M11084-27	Screw, Self-tapping, 10-12 x 1/2	4
17	M4785	Fin, Deflector	1
	M10908-14	Screw, Hex hd., 10-32 x 1/2	2
18	M1866-2	Burner Head Assembly (See figure 5 for details)	1
19	M11084-27	Screw, Self-tapping, hex hd., No. 10-12 x 1/2	2
20	M10816-44	Electrode Lead Assembly	2
21	M23367	Fan	1
22	M23386-1A	Fan guard Assembly	1
23	M12461-25	Screw, Hex hd., No. 10-32 x 1/4	4
24	WLM-3C	Washer, Lock	4
25	M21964	Key, Locating	1
26	M26895-1	Motor and Pump Assembly (See figure 6)	1
27	HC5-4C	Screw, Hex hd., 5/16-18 x	
28	NTC-5C	Nut, Torque lock, 5/16-18 (AP)	4
	WP-5C	Washer, Flat, 5/16 in. (AP)	4
29	M18877	Fuel Line	1
30	M50536	Handle, Rear	1
31	M50537	Handle, Front	1
32	M12345-49	Screw, Oval hd., 10-24 x 2-1/4 (AP)	8
33	NPC-3C	Nut, Plain hex, 10-24 (AP)	8
	WLM-3	Lockwasher, No. 10 (AP)	8
34	M8434-3	Transformer Assembly	1
35	NPC-4C	Nut, Plain 1/4-20	2
36	WLM-4C	Washer, Lock 1/4	2
37	M19503-1A	Motor Bracket Assembly	1
38	M11084-27	Screw, Self-tapping, 10-12 x 1/2 (AP)	8
39	M3334-10	Fuel Line Assembly	2
40	M18919-1	Intake Tube Assembly	2
40A	M26975A	Bracket, Top Support	1
	HF3-3C	Screw, Hex hd., No. 10-32 x 3/8 in. (AP)	2
	WLM-3C	Lockwasher No. 10 (AP)	2
40B	M19623-1A	Bracket Assembly, Support	1
	M12461-26	Screw, Hex hd., No. 10-32 x 3/8 in. (AP)	1
	NTF-3C	Nut, Torque Lock, No. 10-32 (AP)	1

41	M15779-19	Extension Cord Assy	1
42	M18774A	Axle	1
43	WP-10C	Washer	4
44	M8111	Wheel	2
45	C5-10C	Pin Cotter	2
46	M50535	Frame, Wheel Support	1
47	M21786A	Bracket	1
	M11084-27	Screw, Hex hd., 10-12 x 1/2 (AP)	2
	WLI-3	Lockwasher (AP)	2
48	M25138	Box, Utility	1
	M12461-28	Screw, Hex hd., 10-24 (AP)	2
	WP-3C	Washer Plain (AP)	2
	WLI-3	Lockwasher (AP)	2
	NPF-3C	Nut (AP)	2
49	M25527	Connector, Wire	6

Master BV250EA Spec # 3194G01



BURNER HEAD ASSEMBLY

1	M25119	. Nozzle	1
2	M4274	. Spring	1
3	HF3-4C	. Screw, Hex Head No. 10-32 x 3/8	2
4	M3981	. Electrode	2
5	69248	. Elbow	1
6	M29952-01	. Body Burner & Bushing	1
7	M28340	. Bushing	2
8	M18665	. Burner Body	1

1	57413	Elbow, Street 1/4 in.	2
2	M3973	Filter, Fuel	1
	M4307	. Filter Can	1
	M3301-2	. Filter Gasket	1
	M3301	. Filter Element	1
3	M17499-1	Nipple	1
4	M22872-1	Pump, Fuel	1
5	69247	Nipple, Pipe, 1/8 in.	1
6	M4157-5	Valve, Solenoid	1
7	M5976	Connector, Male	1
8	*HC5-7C	Screw, Hex hd., 5/16-18 x 3/4 in.	4
9	*WLM-5C	Lockwasher, 5/16 in.	4
10	*WP-5C	Washer, Plain, 5/16 in.	4
11	M22348	Adaptor	1
12	*RF3-6C	Screw, Rd hd., No. 10-32 x 3/4 in.	3
13	WP-3C	Washer, Plain	3
14	M18436	Spring	1
15	M22873	Coupling	1
16	M23357-2	Motor Assembly	1
	M29694-11	Tubing, Varnish, Solenoid leads	1
	1001349	Connector	1
50	M25858	O-Ring	6
50A	50460	Locknut	6
50B	M11691-3	Connector	4
50C	M5187	Nut, Wire	3
50D	M25209	Gasket, Utility Box	1
50E	M25208A	Cover, Junction Box	1
51	M21962-2	Wire Harness Assembly	1
52	M25125-6	Thermostat Assembly	1
53	M25121A	Thermostat Bracket	1
	RC1-3C	Screw, Rd hd No. 6-32 x 3/8 (AP)	2
	WLI-1	Lockwasher (AP)	2
	NPC-1C	Nut, Plain, Hex No. 6-32 (AP)	2
	M11084-27	Screw, Self tapping, 10-12 x 1/2	2
	WLI-3	Washer, Lock	2
54	M8257	Plug, Pipe	1
55	M18053	Screen, Filler	1
56	M23284	Cap, Filler	1
57	M18298-2A	Fuel Tank Assembly	1
58	1001349	Connector, Straight	1
59	M12661A	Cover, Box	1
	M12656-1A	Controls and Box Assy	1
60	M12303	. Thermostat, Limit	1
61	M31301	. Thermostat, Fan	1
62	RC2-7C	. Screw, Hex hd, 8-32 x 7/8	4
63	M12297-1	. Collar	4
64	M12301	. Spring	4
65	NPC-2C	. Nut, Hex, No. 8-32	4
66	M12657-1A	. Control Box Assy	1
67	M11084-27	Screw, Self tapping, 10-32 x 1/2	4
68	M13042	Spacer	2
69	M12662	Spacer	2
70	M10908-1	Screw, Self-tapping, 6-32	1

