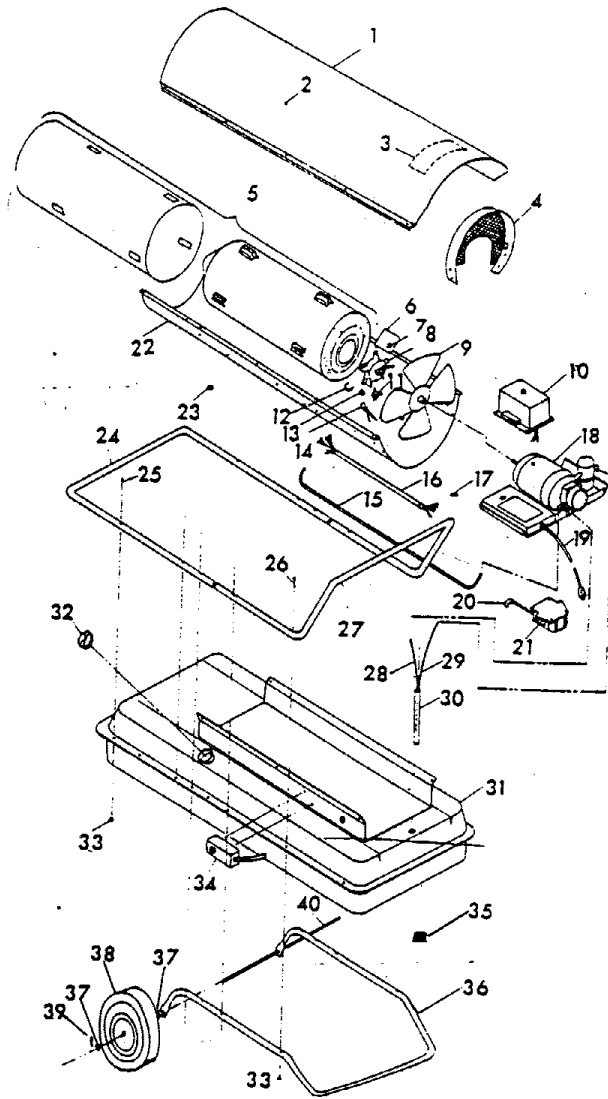
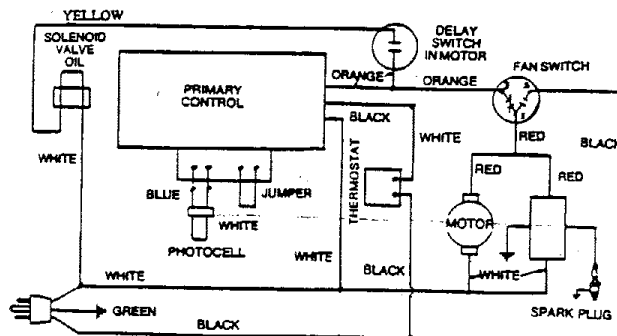


# Master B350A Spec# 5043 G02

## Form # 1717 2/82



1	M50060AZ	Upper Shell	1
2	M11084-26	Screw No. 10-12x3/8	10
3	M50089	Wiring Diagram Decal	1
4	M50097-01 AA	Guard, Fan	1
5	M50542-01	Combustion Chamber and Heat Deflector	1
6	M50086	Air Deflector	5
7	M50104-02	Bushing	7
8	M51129-03	Assem. Burner Head	1
9	M50121	Fan	1
10	M22082	Control, Safety	1
11	M31301-02	Fan Switch	1
13	M50104-02	Bushing	1
15	M50295	Fuel line	1
16	M50391-01	Wire harness assembly	1
17	M13942-7	Wire connector	2
18	M50079-04	Motor & Pump Assembly	N/A
19	M10813-33	Extension Cord Assembly	1
20	M50050	Boot ignition	1
21	M50570-01	Transformer and bracket	1
22	M50061AZ	Lower Shell	1
23	M11271-6	Nut, Tinnerman	10
24	M50062-03	Handle, Front	1
25	HC4-12C	Screw 1/4-20x1 1/2	4
26	HC4-18C	Screw 1/4-20x2 1/4	6
27	M50062	Rear handle (frame support)	1
28	M50118-02	Fuel line-return	1
29	M50118-03	Fuel line-input	1
30	M50282-01	Screen and bushing assembly	1
31	M50071-01AA	Fuel Tank Assembly	1
32	M23284	Fuel Cap	1
33	NTC-4C	Nut 1/4-20	10
34	M25297-14	Thermostat Assembly	1
35	M27417	Drain Plug	1
36	M50063	Frame, Wheel Support	1
37	WP-10C	Washer, Flat 5/8	4
38	M50389	Wheel	2
39	C5-10C	Pin, Cotter, 5/32x1 1/4	2
40	M18774A	Axle	1



Master B350A

Spec# 5043 G02

Form # 1717 2/82

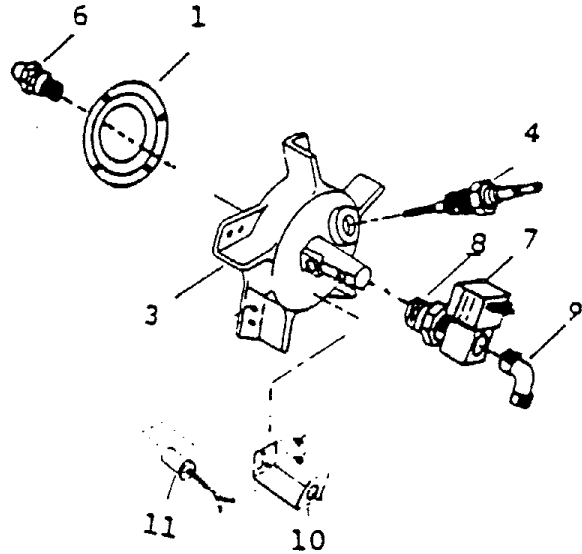
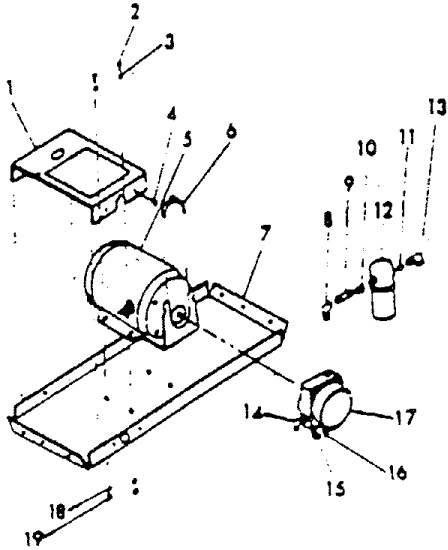


Figure 7 Burner Head Assembly

	M50079-04	Assembly & Motor Pump	N/A
1	M50082AA	Cover, Wiring	1
2	HF5-5C	Screw, 5/16-24	4
3	WLE-5	Washer, Lock 5/16	4
4	M11084-26	Screw No. 10-12x3/8	5
5	M50084-01	Motor	1
6	M50116	Clamp Flanged	1
7	M50083AA	Support, Motor	1
8	57413	Elbow Street	1
9	M50093	Nipple, long	1
10	M20137	Bushing, Pipe	1
11	M20137	Bushing, Pipe	1
12	M50398	Filter	1
	M50399	Element Filter	1
13	M50114-02	Elbow, Male 90° 1/2 to 1/2	1
14	M50297	Elbow, Compression	1
15	57413	Elbow Street	1
16	M50113-02	Fitting straight 1/2 to 1/2	1
17	M50085	Pump, Fuel	1
18	WLM-5	Washer Lock 5/16	4
19	NPF-5C	Nut, Hex 5/16-24	4

Fig. 7	M61129-03	Assembly Burner Head	1
1	M50396	Orifice, Burner Head	1
	M11523-1	Screw, No. 6-20 x 1/2	5
		Attaches Orifice to Burner Head	
3	M50824-02	Burner Head	1
4	M10962-2	Spark Plug	1
6	M50112	Nozzle	1
	M50390-01	Assembly Solenoid Valve	1
7	M50077	Valve Solenoid	1
8	59246	Nipple Straight	1
9	M50297	Compression Elbow	1
	M50298	Nut	1
	M50299	Sleeve	1
	M50315	Elbow 90°	1
10	M50340-02	Photo Cell Bracket	1
11	M16655-4	Photo Cell	1