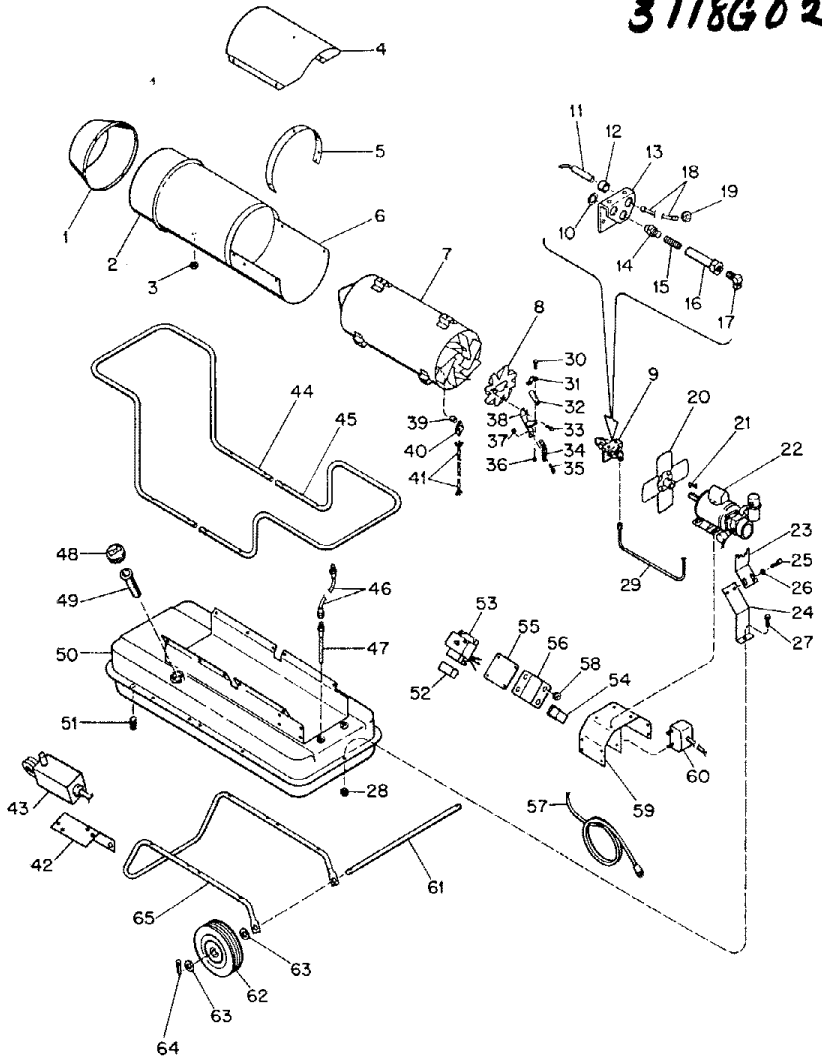


3-72
Form # 2532-4

MASTER B 325A & B 325AS
Spec # 3118G01
3118G02

Index No.	Part Number	Part Name	B-325A Qty.	B-325AS Qty.
1	M19519A	Nose Cone	1	1
	M11084-27	Screw, Hex hd, self-tapping, No. 10-12 x 1/2 (Nose cone attaching)	6	6
2	M21821-1A	Outer Shell	1	1
	M11084-27	Screw, Hex hd, self-tapping, No. 10-12 x 1/2 (Shell attaching)	6	6
3	M3530	Grommet	5	5
4	M21767A	Cover, Outer shell	1	1
	M11084-27	Screw, Hex hd, self-tapping No. 10-12 x 1/2 (Cover attaching)	4	4
	M11271-6	Nut, Tinnerman	4	4
	M12461-26	Screw, Hex hd No. 10-32 x 3/8 in. (Cover attaching)	1	1
5	M22720A	Support, (Cover)	1	1
6	M21768A	Shell Extension Assembly	1	1
	M11084-27	Screw, Hex hd, self-tapping No. 10-12 x 1/2 in. (Shell extension attaching)	4	4
7	M19073-3	Combustion Chamber Assy	1	1
8	M23537	Plate, Deflector	1	1
	M11084-27	Screw, Hex hd, self-tapping, No. 10-12 x 1/2 (Deflector plate attaching)	8	8
9	M19517-1	Nozzle and Electrode Adapter Assembly	1	1
10	M16741-18	Ring, Retaining	1	1
11	M3981	Electrode	2	2
12	M16712	Bushing, Electrode	2	2
	M12461-14	Screw, Hex hd No. 8-32 x 3/8 in. (Electrode clamping)	2	2
13	M18775	Bracket, Nozzle	1	1
14	M6296	Nozzle	1	1
15	M4274	Spring	1	1
16	M18776	Adapter	1	1
17	M2294	Elbow	1	1
	M11084-27	Screw, Hex hd, self-tapping, No. 10-12 x 1/2 in. (Deflector plate attaching)	2	2
18	M10816-35	Electrode Lead	2	2
19	1000576	Grommet	5	5
20	M19458	Fan	1	1
21	M21804	Key, Fan locating	1	1
22	M23365-2	Motor and Pump Assembly (See figure 5)	NA	NA
	HC5-5C	Screw, Hex hd 5/16-18 x 5/8 in. (Motor Mounting)	4	4
	WP-5C	Washer, Plain, 5/16 in. (Motor Mounting)	-	4
	NTC-5C	Nut, Torque lock 5/16-18 (Motor Mounting)	4	4
23	M19625A	Bracket, Support	1	1
24	M19623-1A	Bracket Assembly, Support	1	1
25	HF3-3C	Screw, Hex hd No. 10-32 x 3/8 in. (Support bracket)	2	2
26	WLM-3	Washer, Lock No. 10	2	2
27	M12461-26	Screw, Hex hd, No. 10-32 x 3/8 in.	1	1
28	NTF-3C	Nut, Torque lock 10-32	1	1
29	M4849	Full Line, Pump to Nozzle	1	1
30	M12461-2	Screw, Hex hd No. 6-32 x 3/8	-	2
31	M13963A	Clamp, Photo cell	-	1
32	M13962A	Tube, Photo cell	-	1
33	M10908-1	Screw, Hex hd, self-tapping No. 6-32 x 1/4	-	2
34	M23802-4	Photo cell	-	1
35	M12461-14	Screw, Hex hd No. 8-32 x 3/8 in.	-	1
36	NTC-1C	Nut, Torque lock No. 6-32	-	2
37	NTC-2C	Nut, Torque lock, No. 8-32	-	2
38	M21865-1A	Bracket Assembly, Photocell	-	1
39	M18867	Spacer	2	2
40	M5895	Switch, Thermal	1	1
	ST2-8AC	Screw, Rd hd No. 8	2	2
41	M21788-1	Wire Harness Assy (Thermal switch)	1	1
42	M15814A	Bracket, Thermostat	1	1
	M11084-27	Screw, Hex hd, self-tapping No. 10-12 x 1/2 (Bracket		



Master B325A & B325AS.

Index No.	Part Number	Part Name	B-325A	B-325AS
43	M21830	Thermostat Assy (See figure 5)		
	ST1-2BC	Screw, Rd hd No. 6 x 1/4 in.	2	2
44	M19516A	Handle, Front	1	1
45	M19515A	Handle, Rear	1	1
	M12345-49	Screw, Oval hd No. 10-24 x 2-1/4 in. (Handle attaching)	8	8
	NTC-3C	Nut, Torque lock No. 10-24 (Handle attaching)	8	8
46	M3334-4	Fuel Line Assembly	1	1
	M3334-10	Fuel Line Assembly	1	1
47	M18919-1	Fuel Intake Tube	2	2
48	M29284	Cap, Fuel Filler	1	1
49	M18063	Screen, Fuel Filler neck	1	1
50	M21820-1A	Fuel Tank	1	1
51	M8257	Plug, Pipe	1	1
52	M24270	Cover, Terminal strip	-	1
53	M22012	Control, Safety	-	1
	M5187	Connector, Wire	-	3
	M3538	Connector, Wire	-	4
54	M21686	Relay, Slave	-	1
55	M6306	Cover, Box	1	-
	M13942-2	Connector, Wire	1	-
	M13942-4	Connector, Wire	4	-
56	M3011	Box, Switch	1	1
	M12461-27	Screw, Hex hd No. 10-32 x 1/2 in. (Box attaching)	2	2

Index No.	Part Number	Part Name	B-325A	B-325AS
	NTF-3C	Nut, Torque lock No. 10-32	2	2
	1001349	Connector, Wire	1	1
57	M10813-12	Cord Assembly, Extension	1	1
58	M3530	Grommet	4	4
59	M19513-1A	Bracket Assembly, Motor	1	1
	M11084-7	Screw, Hex hd, Self-tapping No. 10-12 x 1/2 in. (Motor Bracket attaching)	8	8
60	M3259-4	Transformer	1	1
	NPC-4C	Nut, Plain hex 1/4-20 (Transformer attaching)	4	4
	WLM-4C	Washer, Lock 1/4 in. (Transformer attaching)	4	4
61	M18774	Axle	1	1
62	M8111	Wheel	2	2
63	WP-10C	Washer, Plain	4	4
64	C5-10C	Pin, Cotter	2	2
65	M18519A	Frame Support, Wheel	1	1
	M22887	Decal, Nameplate	1	1
	M18196	Decal, Mig. By	1	1
	M20532-2	Decal Pump Prime	1	1
	M17137	Decal, Trade name	1	1
	M22743	Decal	1	1
	M19521-3	Decal, Model	1	-
	M19521-4	Decal, Model	-	1
	M21790	Decal, Wiring	1	-
	M21699	Decal, Wiring	-	1

