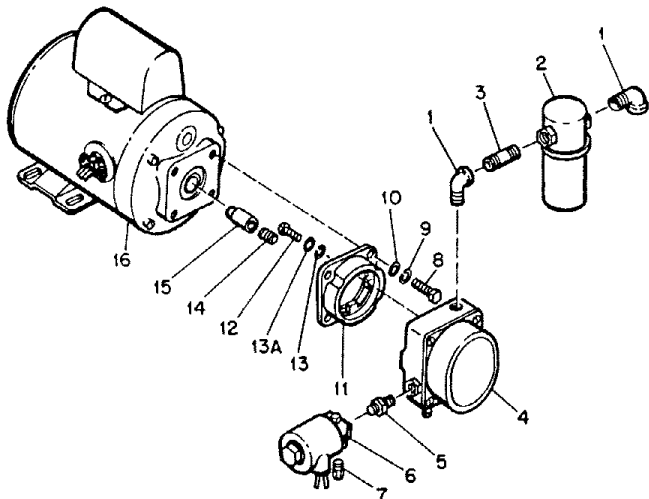
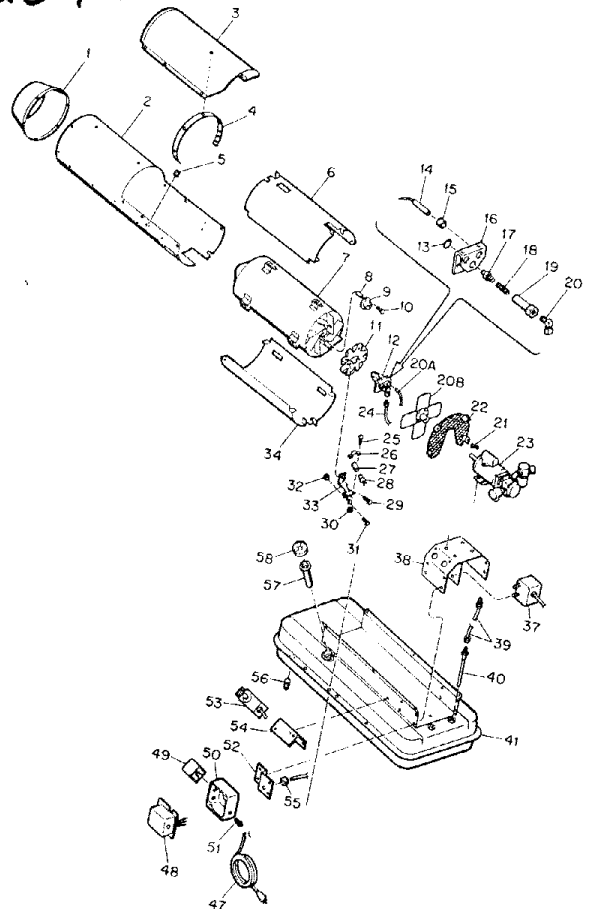


# MASter B300C

Spec# 3204G01

Form# 2982

1	M18089A	Nose Cone	1
	M11084-27	Screw, No. 10-12 x 1/2 (Nose Cone to Outer Shell)	6
2	M18085A	Outer Shell	1
	M11084-27	Screw, No. 10-12 x 1/2 (Outer Shell to Tank)	6
3	M18087A	Cover, Outer Shell	1
	M11084-27	Screw, No. 10-12 x 1/2 (Cover to Outer Shell)	8
	M11271-6	Nut, Tinnerman (Cover to Outer Shell)	8
4	M22905A	Support, Cover	1
	M12461-26	Screw, No. 10-32 x 3/8 in. (Support to Outer Shell)	5
5	1000576	Grommet	8
6	M18915	Deflector, Heat	1
	M12461-26	Screw, No. 10-32 x 3/8 in. (Outer Shell to Combustion Chamber)	6
7	M18773-4	Combustion Chamber	1
8	M18867	Spacer	2
9	M5895	Switch, Thermal	1
10	ST2-8AC	Screw, No. 8-15 x 1 (Thermal Switch attaching)	2
11	M23537	Plate, Deflector	1
12	M18777-4	Nozzle and Electrode Adaptor Assembly	1
13	M16741-18	. Retaining Ring, Nozzle	1
14	M3981	. Electrode	2
15	M16712	. Bushing, Electrode	2
	M12461-14	. Screw, 8-32 x 3/8 (Electrode Clamping)	2
16	M18775	. Bracket, Nozzle	1
17	M22626	. Nozzle	1
18	M4274	. Spring	1
19	M18776-2	. Adapter	1
20	69248	. Elbow	1
	M11084-27	Screw No. 10-12 x 1/2 (Adapter Mounting)	2
20A	M10816-45	Electrode Lead	2
20B	M27555	Fan	1
21	M21964	Key, Fan Locating	1
22	M23386-1A	Guard, Fan	1
	M12461-25	Screw, Hex hd., 10-32 x 1/4	4
	WLM-3C	Lockwasher No. 10	4



1	57413	Elbow, Street, 1/4 in.	2
2	M3973	Filter, Fuel	1
	M4307	. Filter Can	1
	M3301-2	. Filter Gasket	1
	M3301	. Filter Element	1
3	M17499-1	Nipple	1
4	M22872-1	Pump, Fuel	1
5	69246	Nipple, Pipe, 1/8 in.	1
6	M3974-5	Valve, Solenoid	1
7	M5976	Connector, Male	1
8	*HC5-7C	Screw, Hex hd., 5/16-18 x 3/4 in.	4
9	*WLM-5C	Lockwasher, 5/16 in.	4
10	*WP-5C	Washer, Plain, 5/16 in.	4
11	M22348	Adaptor	1
12	*RF3-6C	Screw, Rd hd., No. 10-32 x 3/4 in.	3
13A	WP-3C	Washer, Plain	3
14	M18436	Spring	1
15	M22873	Coupling	1
16	M23357-3	Motor	1
	M3486-18	Tubing, Varnish, Solenoid Leads	1
	1001349	Connector, Solenoid Leads	1

# Master B300C spec# 3204G01

23	M23373-4	Motor and Pump Assembly (See Figure 4 for details)	1
	HC4-6C	Screw, 1/4-18 x 2 (Motor Mounting)	4
	WLM-4	Lockwasher	4
	NPC-4C	Nut, Plain hex., 1/4-18	4
24	M18877	Fuel Line, Pump to Nozzle	1
25	M12461-2	Screw, 6-32 x 3/8 in.	2
26	M13963A	Clamp, Tube	1
27	M13962A	Tube, Photo Cell	1
28	M25912-1	Photo Cell	1
29	M10908-1	Screw, 6-32 x 1/4 in.	2
30	NPC-1C	Nut, Plain No. 6-32	2
31	Deleted		
32	Deleted		
33	M13961A	Bracket, Photo Cell	1
34	M21329	Heat Deflector, Bottom	1
35	M27591A	Guard, Nose Cone	1
35A	M27592A	Handle, Front	1
	NTC-3C	Nut, Torque Lock 10-24	14
36	M19515A	Handle, Rear	1
	M12345-49	Screw, No. 10-24 x 2-1/4 (Handle to Fuel Tank)	14
37	M27827-1	Transformer	1
	WLM-4	Washer, Lock 1/4 in.	2
	NPC-4C	Nut, Hex, 1/4-20	2
38	M19513-1A	Motor Bracket Assembly	1
	M11084-27	Screw, 10-12 x 1/2 in., (Motor Bracket attaching)	6
39	M3334-10	Fuel Line Assembly	2
40	M18919-1	Fuel Intake Tube	2
41	M18298-2A	Fuel Tank Assembly	1
42	M18774	Axle	1
43	M18519A	Frame, Wheel Support	1
44	WP-10C	Washer, Flat, 5/8 in.	4
45	M8111	Wheel	2
46	C5-10C	Pin, Cotter, 5/32 x 1-1/4 in.	2
47	M10813-52	Extension Cord	1
48	M27570	Relay, Safety Control	1
	M15714-2	Connector, Wire	6
49	M21686	Relay, Slave	1
50	M3011	Box Switch	1
	M12461-27	Screw, 10-32 x 1/2 (Box attaching)	2
	NTF-3C	Nut, Torque Lock, 10-32	2
51	M25527	Connector, Cable	6
52	M21786A	Bracket, Switch box	1
	M11084-27	Screw, No. 10-12 x 1/2 (Switch bracket to tank)	2
	WLI-3	Lockwasher No. 10	2
53	M25297-11	Thermostat Assembly	1
	RC1-3C	Screw, Rd. hd., 6-32 x 3/8 in.	2
	WLI-1	Washer Lock, No. 6	2
	NPC-1C	Nut, Plain No. 6-32	2
54	M25121B	Bracket, Thermostat	1
	M11084-27	Screw, 10-12 x 1/2 (Bracket to Outer Shell)	2
	WLI-3	Lockwasher, No. 10	2
55	M5889	Grommet	1
56	M8257	Plug, Pipe	1
57	M18053	Screen, Filler neck	1
58	M23284	Cap, Filler	1
	M21788-3	Wire Harness Assembly	1
	M25912-3	Wire	1
	M3570	Clamp, Wire	8

