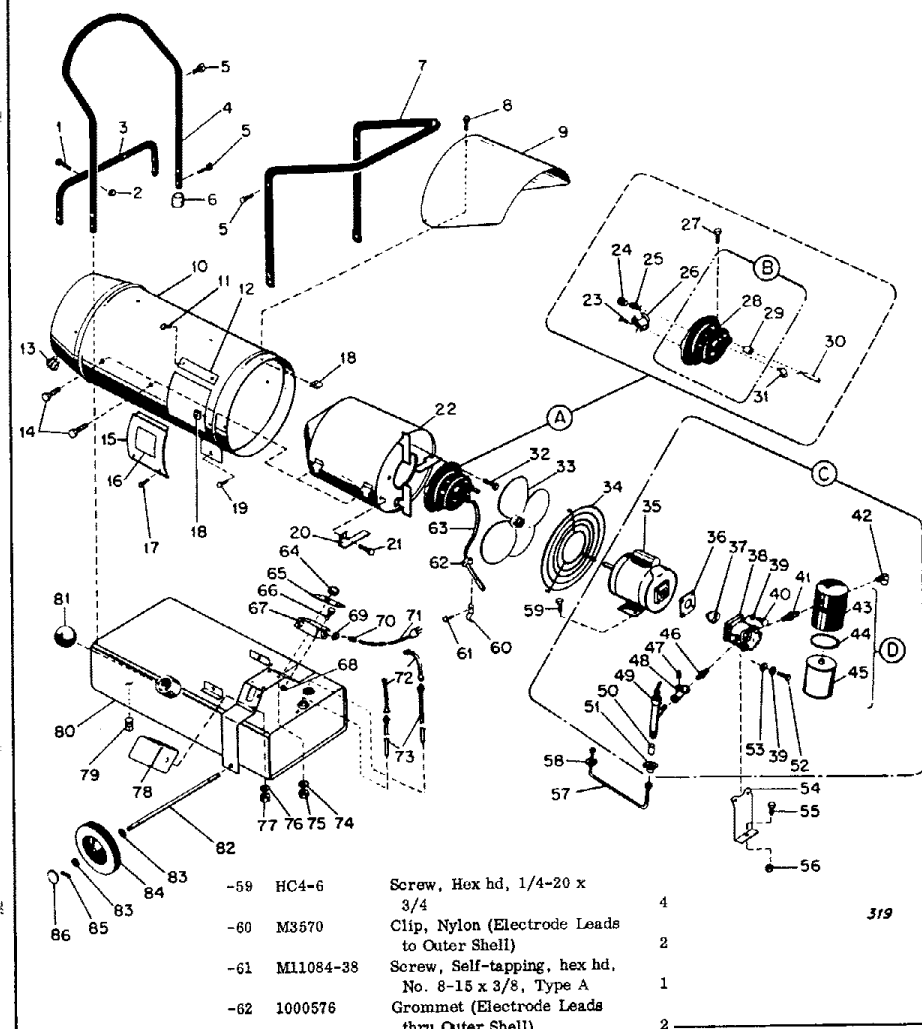


Master B155
Spec# 2720G1-4

Form # 20033-01

5-66

3-1	HC4-8C	Screw, Hex hd, 1/4-20 x 1	2
-2	NTC-4C	Nut, Torque Lock, 1/4-20	2
-3	M10935G1	Handle Brace Assy	1
-4	M10934	Front Leg	1
-5	M12461-33	Screw, Hex hd, No. 10-32 x 1-1/4	8
-6	M8704-2	Button, Plug	2
-7	M10933	Back Leg	1
-8	M11084-40	Screw, Self-tapping, hex hd, No. 8-15 x 5/8, Type A	3
-9	M3364	Cowl	1
-10	M10926G1	Outer Shell Assy	1
-11	M10908-1	Screw, Self-tapping, hex hd, No. 6-32 x 1/4, Type S	2
-12	M10941	Tech Data and Name Plate	1
-13	M6572	Button, Plug	1
-14	M10908-27	Screw, Self-tapping, hex hd, No. 10-32 x 1/2, Type S	4
-15	M8988G2	Access Door Assy	1
-16	M5620	Operating Instructions	1
-17	M11084-40	Screw, Self-tapping, hex hd, No. 8-15 x 5/8, Type A	2
-18	M11271-5	Nut, Tinnerman	5
-19	M11084-16	Screw, Self-tapping, hex hd, No. 14-10 x 5/8, Type A	2
-20	M4785	Air Deflector	1
-21	M11084-38	Screw, Self-tapping, hex hd, No. 8-15 x 3/8, Type A	2
-22	M9758G3	Combustion Chamber Assy	1
(A)	M9107G1	Burner Head Assy	1
-23	RC1-2	Screw, Rd. hd, No. 6-32 x 1/4	2
-24	M9108	Nozzle	1
-25	M4274	Nozzle Spring	1
-26	M3978	Air Deflector	1
-27	HF3-3	Screw, Hex hd, No. 10-32 x 3/8	2
(B)	M3853G1	Burner Body and Bushing Assy	1
-28	M10947	Body, Burner	1
-29	M9788	Bushing, Electrode	2
-30	M3981	Electrode	2
-31	M2294	Compression Fitting	1
-32	M12461-16	Screw, Hex hd, No. 8-32 x 5/8	2
-33	M9928	Fan	1
-34	M3247	Fan Guard	1
(C)	M10931G1	Motor Package Assembly	1
-35	M9809-2	Motor	1
-36	M3547	Gasket	1
-37	M3473	Coupling	1
-38	M11138-1	Pump	1
-39	WLI-5	Lockwasher, Internal tooth, 5/16	4
-40	HC5-6	Screw, Hex hd, 5/16-18 x 3/4	2
-41	M3297	Nipple	1
-42	57413	Elbow	1
(D)	M3973	Filter	1
-43	M4307	Filter Can (Replacement)	1
-44	M3301-2	Filter Gasket (Replacement)	1
-45	M3307-1	Filter Element (Replacement)	1
-46	M10953	Nipple	1
3-47	57419	Pipe Plug	1
-48	69255	Tee	1
-49	M3296	Fuel Valve	1
-50	M5774	Sleeve	1
-51	M5773	Nut	1
-52	HC5-7	Screw, Hex hd, 5/16-18 x 7/8	2
-53	WP-5	Washer, Flat, 5/16	2
-54	M3526	Bracket	1
-55	M12461-27	Screw, Hexhd, No. 10-32 x 1/2	1
-56	NLF-3	Nut, Flexloc, 10-32	1
-57	M3475	Fuel Line	1
-58	1000577	Grommet (Fuel Line thru	1



-59	HC4-6	Screw, Hex hd, 1/4-20 x 3/4	4
-60	M3570	Clip, Nylon (Electrode Leads to Outer Shell)	2
-61	M11084-38	Screw, Self-tapping, hex hd, No. 8-15 x 3/8, Type A	1
-62	1000576	Grommet (Electrode Leads thru Outer Shell)	2
-63	M10816G7	Electrode Lead Assy	2
-64	M3480	Switch	1
-65	M3308	Switch Box Cover	1
-66	M12461-27	Screw, Hexhd, No. 10-32 x 1/2	2
-67	M6016	Utility Box	1
-68	NLF-3	Nut, Flexloc, 10-32	2
-69	M3530	Grommet, 7/8 (In Utility Box)	2
-70	1001349	Connector	1
-71	M10813G14	Extension Cord Assy	1
-72	M3334G8	Fuel Line Assy	2
-73	M10923	Intake and Return Tube Assy	2
-74	WP-4	Washer, Flat, 1/4	4
-75	NLC-4	Nut, Flexloc, 1/4-20	4
-76	WLM-4	Lockwasher, 1/4	2
-77	NPC-4	Nut, Hex, 1/4-20	2
-78	M3259-4	Transformer	1
-79	M8257	Pipe Plug (Fuel tank drain)	1
-80	M12485G1	Fuel Tank Assy	1
-81	M3353	Fuel Tank Cap	1
-82	M12486-3	Axle	1
-83	WP-8	Washer, Flat, 1/2	4
-84	M14261	Wheel	2
-85	C4-8	Cotter Pin, 1/8 x 1	2
-86	M14262	Hub Cap	2