

MASTER B155A
Spec # 3012G03
302G01

Form # 2667.1

3-71

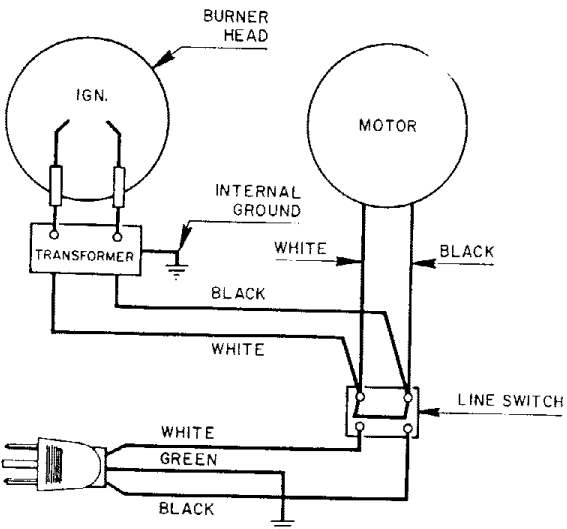
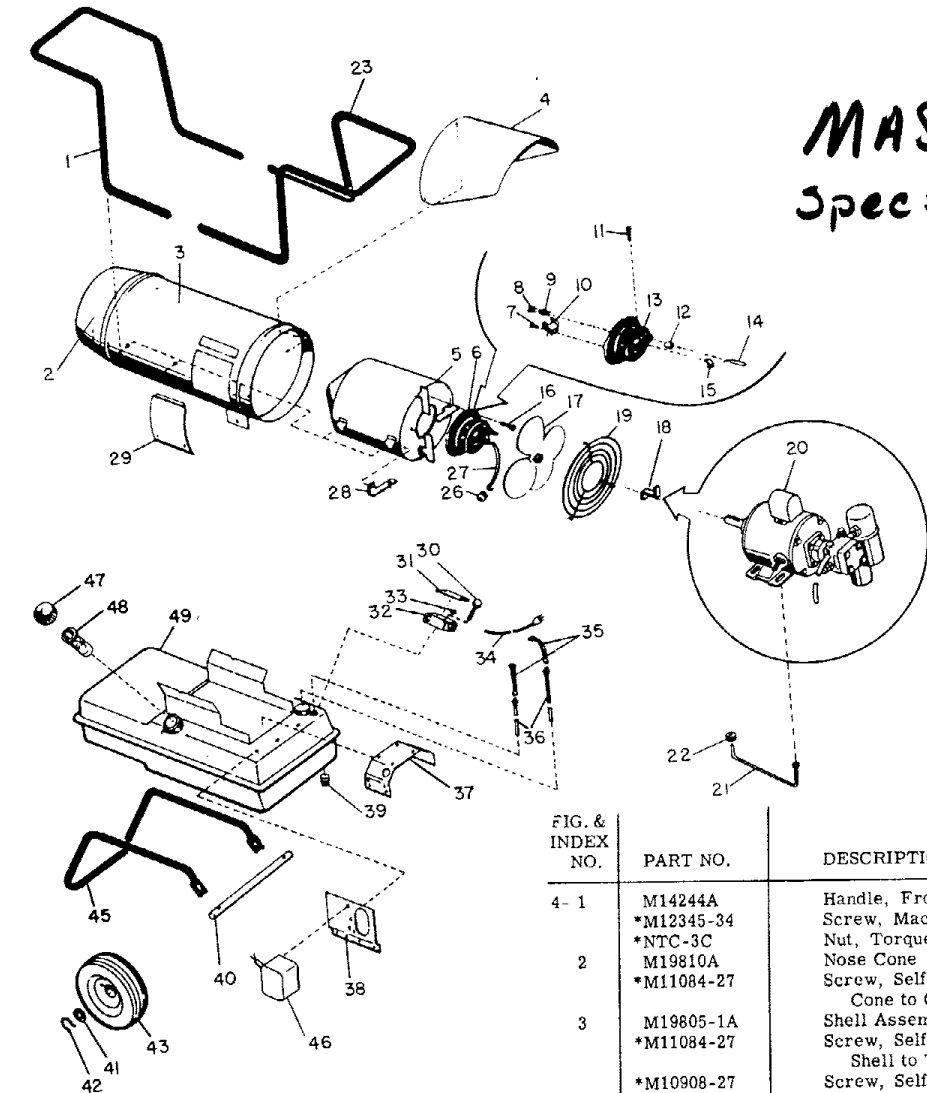
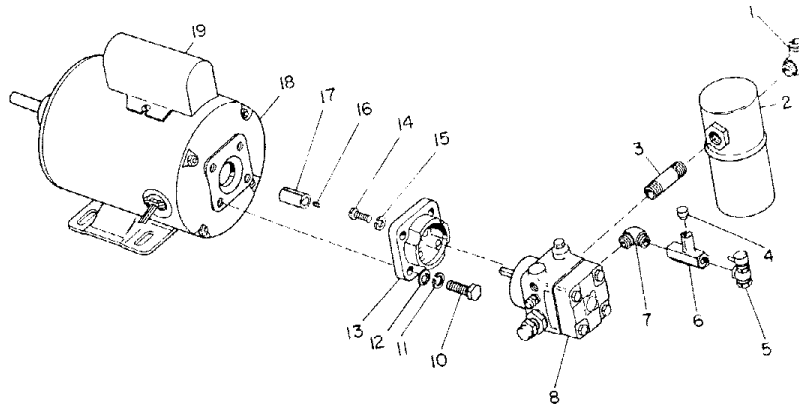


FIG. & INDEX NO.	PART NO.	DESCRIPTION	3012G03	3102G01
4-1	M14244A	Handle, Front	1	1
	*M12345-34	Screw, Machine, Oval hd., 10-24 x 2 inch	4	4
2	*NTC-3C	Nut, Torque lock 10-24	4	4
	M19810A	Nose Cone	1	1
	*M11084-27	Screw, Self-tapping, hex hd., No. 10-32 x 1/2 (Nose Cone to Outer Shell)	6	6
3	M19805-1A	Shell Assembly, Outer	1	1
	*M11084-27	Screw, Self-tapping, hex hd., No. 10-32 x 1/2 (Outer Shell to Tank)	6	6
	*M10908-27	Screw, Self-tapping, hex hd., No. 10-32 x 1/2 (Outer Shell to Combustion Chamber)	4	4
4	M3364A	Cowl	1	1
	*M11084-28	Screw, Self-tapping, hex hd., No. 10-12 x 5/8, Type A (Cowl to Outer Shell)	3	3
	M11271-6	Nut, Tinnerman (Cowl to Outer Shell)	3	3
5	M9758G6	Combustion Chamber Assembly	1	1
6	M9107G1	Burner Head Assembly	1	1
7	*RC1-2	Screw, Rd. hd., No. 6-32 x 1/4	2	2
8	M9108	Nozzle	1	1
9	M4274	Nozzle Spring	1	1
10	M3978	Air Deflector	1	1
11	*HF3-3	Screw, Hex hd., No. 10-32 x 3/8	2	2
12	M16712	Electrode Bushing	2	2
13	M10947	Body, Burner	1	1
14	M3981	Electrode	2	2
15	M2294	Elbow Compression, 90°	1	1
16	*M12461-16	Screw Hex hd., No. 8-32 x 5/8	2	2
17	M9928	Fan	1	1
18	M18025	Key, Fan Locating	1	1
19	M19815-1	Fan Guard Assembly	1	-
	M3247	Guard, Fan	-	1
20	REF	Motor and Pump Assembly (See fig. 5 or 6)	1	1
	*HC4-6C	Screw, Hex hd., 1/4-20 x 3/4	4	4
	*NTC-4	Nut, Torque Lock 1/4-20	4	4
21	M19806	Fuel Line	1	-
	M22674	Fuel Line	-	1
22	1000577	Grommet, (Fuel Line to Shell)	1	1
23	M19809A	Handle, Rear	1	1
	*M12345-34	Screw, Oval hd., 10-24 x 2	4	4
	*M12345-31	Screw, Oval hd., 10-24 x 1-1/4	2	2
	*NTC-3C	Nut, Torque Lock 10-24	6	6
	*WP-3C	Washer, Flat	-	-

Master B155A spec # 3012G03

3102G01



1	*57413	Elbow, Street 1/4 in.	1
2	M3973	Filter	1
	M3301-1	. Filter Element	1
	M3301-2	. Filter Gasket	1
	M4307	. Filter Can	1
3	M20480	Nipple, Pipe, 1/4 x 2 in.	1
4	57419	Plug, Pipe	1
5	M3296	Valve, Toggle	1
6	69255	Tee	1
7	M18730	Elbow, Male, 1/8 in. pipe	1
8	M18364	Pump	1
9		Deleted	
10	*HC5-7C	Screw, Hex hd. 5/16-18 x 7/8 in.	4
11	*WLM-5C	Washer, Lock 5/16 in.	4
12	*WP-5C	Washer, Plain	2
13	M18365	Adaptor	1
14	*RF3-6	Screw, Round Hd., No. 10-32 x 3/4 in.	3
15	*WLM-3	Washer, Lock, No. 10	3
16	M18436	Spring	1
17	M18366	Coupling	1
18	M9809-2	Motor	1
19	M12650-6	Capacitor, Motor Starting	1

4-26	1000576	Grommet (Electrode Leads through Shell)	2	2
27	M10816G36	Lead, Electrode	2	2
28	M4785	Fin, Deflector	1	1
	*M11084-38	Screw, Self-tapping, Hex hd., No. 8-15 x 3/8, Type A	2	2
29	M8633-2A	Door, Access	1	1
	M11084-40	Screw, Self-tapping, Hex hd., No. 8-15 x 5/8 in.	2	2
	*M11271-5	Nut, Tinnerman	2	2
30	M3480	Switch	1	1
31	M3308	Cover, Box	1	1
32	M6016	Box, Utility	1	1
	*NF3-4C	Screw, Hex hd., 10-32 x 1/2	2	2
	*NTF-3C	Nut, Torque Lock 10-32	2	2
33	M3530	Grommet	2	2
34	M10813G14	Extension Cord Assembly	1	1
	1001349	Connector, Straight	1	1
	M13942-4	Connector, Wire	4	-
35	M3334G10	Fuel Line Assy	2	2
36	M18919-2	Intake Tube Assembly	2	2
37	M19807A	Bracket, Motor Support	1	1
38	M19808A	Bracket, Transformer Support	1	1
	*M12461-52	Screw, Hex hd., 10-24 x 5/8	5	5
	*WP-3C	Washer, Plain	5	5
	*NTC-3C	Nut, Torque Lock	5	5
39	M13990	Plug, Pipe 1/4 inch	1	1
40	M16801-2	Axle	1	1
41	*WP-8C	Washer, Flat	2	2
42	M16741-15	Ring, Retaining	2	2
43	M19295	Wheel	2	2
44		Deleted		
45	M12831A	Frame, Wheel Support	1	1
46	M3259-4	Transformer, Lead Alteration	1	1
	*NPC-4C	Nut, Hex 1/4-20 (Transformer to Bracket)	2	2
	*WLM-4C	Lockwasher (Transformer to Bracket)	2	2
47	M18051	Cap, Filler Neck	1	1
48	M18053	Screen, Filler Neck	1	1
49	M19801-1A	Fuel Tank Assembly	1	1