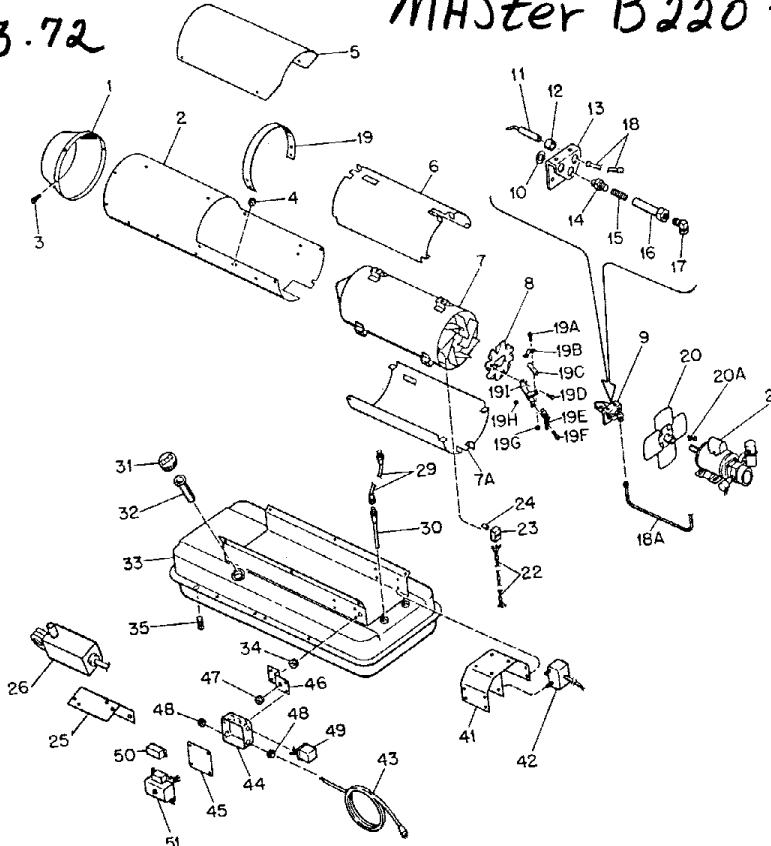


Form # 2459-3  
3.72

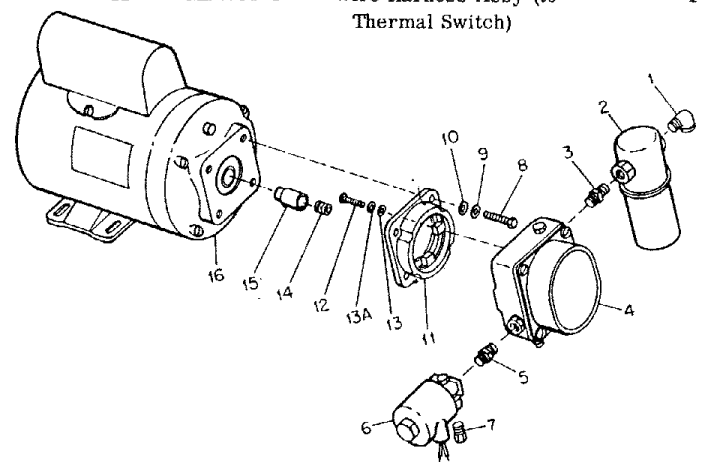
# MASTER B220 - B220S

Spec#  
3116G01 - 3116G04



- |     |          |  |   |
|-----|----------|--|---|
| 1   | 57413    | Elbow, Street 1/4 in.                  | 2 |
| 2   | M3973    | Filter, Fuel                           | 1 |
|     | M4307    | Filter Can                             | 1 |
|     | M3301-2  | Filter Gasket                          | 1 |
|     | M3301    | Filter Element                         | 1 |
| 3   | M3463    | Nipple                                 | 1 |
| 4   | M22872-2 | Pump, Fuel                             | 1 |
| 5   | 69246    | Nipple, Pipe 1/8 in.                   | 1 |
| 6   | M3974-2  | Valve, Solenoid                        | 1 |
| 7   | M5976    | Connector, Male                        | 1 |
| 8   | *HC5-7C  | Screw, Hex hd.,<br>5/16-18 x 3/4 in.   | 4 |
| 9   | *WLM-5C  | Lockwasher 5/16 in.                    | 4 |
| 10  | *WP-5C   | Washer, Plain 5/16 in.                 | 4 |
| 11  | M22348   | Adaptor                                | 1 |
| 12  | *RF3-6   | Screw, Rd. hd., No. 10-32<br>x 3/4 in. | 3 |
| 13  | *WLM-3   | Lockwasher No. 10                      | 3 |
| 13A | WP-3C    | Washer, Plain                          | 3 |
| 14  | M18436   | Spring                                 | 1 |
| 15  | M22873   | Coupling                               | 1 |
| 16  | M18894-2 | Motor                                  | 1 |
|     | M3486-3  | Tubing, Varnish,<br>Solenoid leads     | 1 |

- |     |            |  |     |
|-----|------------|--|-----|
| 1   | M18089A    | Nose Cone  | 1   |
|     | M11084-27* | Screw, No. 10-12 x 1/2 in.<br>(Nose Cone to Outer Shell)                 | 6   |
| 2   | M18085A    | Shell, Outer   | 1   |
| 3   | M11084-27* | Screw, No. 10-12 x 1/2 in.<br>(Shell to Tank)                            | 4   |
| 4   | M3530      | Grommet  | 4   |
| 5   | M18087C    | Cover, Outer Shell   | 1   |
|     | M11084-27* | Screw, No. 10-12 x 1/2 in.<br>(Cover to Outer shell)                     | 4   |
|     | M11271-6   | Nut, Timmerman   | 4   |
| 6   | M18915     | Deflector, Heat  | 1   |
|     | M12461-26* | Screw, No. 10-32 x 3/8 in.<br>(Outer Shell to Combustion<br>Chamber)     | 6   |
|     | WP-3C*     | Washer, Flat No. 10  | 6   |
| 7   | M18773-2   | Combustion Chamber   | 1   |
| 7A  | M21329     | Heat Deflector, Bottom   | 1   |
| 8   | M18768     | Plate, Deflector   | 1   |
|     | M11084-27* | Screw, No. 10-12 x 1/2 in.<br>(Deflector Plate to<br>Combustion Chamber) | 8   |
| 9   | M18777-1   | Nozzle and Electrode Adap-<br>ter assembly (Burner)                      | 1   |
| 10  | M16741-18  | Retaining Ring, Nozzle   | 1   |
| 11  | M3981      | Electrode  | 2   |
| 12  | M16712     | Bushing, Electrode   | 2   |
|     | M12461-14* | Screw, No. 8-32 x 3/8<br>in. (Electrode Clamping)                        | 2   |
| 13  | M18775     | Bracket, Nozzle  | 1   |
| 14  | M18876     | Nozzle   | 1   |
| 15  | M4274      | Spring   | 1   |
| 16  | M18776     | Adapter  | 1   |
| 17  | 69248*     | Elbow  | 1   |
|     | M11084-27* | Screw, No. 10-12 x 1/2 in.<br>(Burner Mounting)                          | 2   |
| 18  | M10816-33  | Electrode Lead   | 2   |
| 18A | M18877     | Fuel Line, Pump to Nozzle  | 1   |
| 19  | M22905A    | Support, Cover   | 1   |
|     | M12461-26* | Screw, No. 10-32 x 3/8 in.<br>(Support to Outer Shell)                   | 5   |
| 20  | M18878     | Fan  | 1   |
| 20A | M21964     | Key, Fan Locating  | 1   |
| 21  |            | Motor and Pump Assembly<br>(See Figure 4)                                | N/A |
|     | HC5-4C*    | Screw, 5/16-18 x 2 in.<br>(Motor Mounting)                               | 6   |
|     | NTC-5C*    | Nut, Torque Lock, 5/16-18  | 6   |
| 22  | M21788-1   | Wire Harness Assy (to<br>Thermal Switch)                                 | 1   |



Master B220, B220S  
Spec# 3116G01, 3116G04.

23	M5895	Switch, Thermal	1
	ST2-8AC*	Screw, No. 8-15 x 1 inch (Thermal Switch Attaching)	2
24	M18867	Spacer	2
25	M17696	Thermostat Assy (See figure 5)	RE
	ST1-2BC*	Screw, No. 6-18 x 1/4 in. (Thermostat to Bracket)	4
26	M15814A	Bracket, Thermostat	1
	M11084-27*	Screw, No. 10-12 x 1/2 in. (Thermostat Bracket to Outer Shell)	2
	M12345-49*	Screw, No. 10-24 x 2-1/4 in. (Handle to Fuel Tank)	8
	NTC-3C*	Nut, Torque Lock, No. 10-24	8
29	M3334-12	Fuel Line Assy	1
-	M3334-10	Fuel Line Assy	1
30	M18919-1	Fuel Intake Tube	2
31	M23284	Cap, Filler	1
32	M18053	Screen, Fuel Filler Neck	1
33	M18298-2A	Fuel Tank	1
34	1000576	Grommet	1
35	M8257	Plug, Pipe	1
37	C5-10C*	Pin, Cotter, 5/32 x 1-1/4 in.	2
38	WP-10C*	Washer, Flat, 5/8 in.	4
41	M18764-1A	Motor Bracket Assy	1
	M11084-27*	Screw, No. 10-12 x 1/2 in. (Motor Bracket to Fuel tank)	8
42	M19518-3	Transformer	1
	WLM-4C*	Washer, Lock, 1/4 in.	2
	NPC-4C*	Nut, Hex, 1/4-20	2
43	M10813-24	Extension Cord	1
44	M3011	Box, Switch	1
	M12461-27	Screw, 10-32 x 1/2	2
	NTF-3C	Nut, Lock, 10-32	2
	M13942-2	Connector, Wire	1
	M13942-4	Connector, Wire	4
45	M6306	Cover, Switch Box	1
46	M21786A	Bracket, Switch Box	1
47	M5889	Grommet	1
48	1000576	Grommet	5

