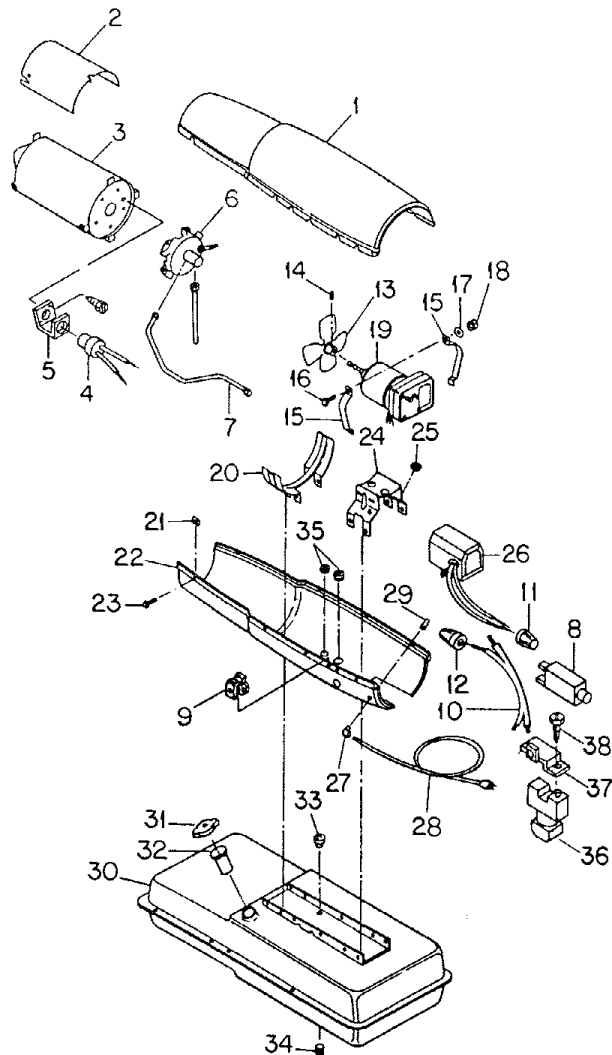


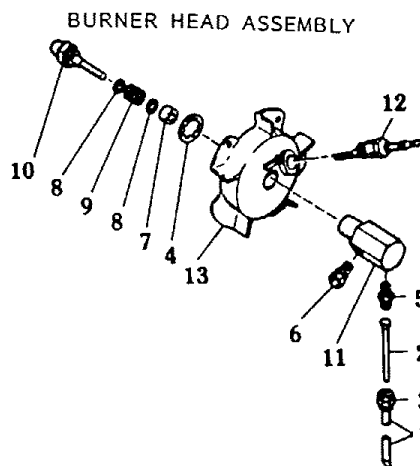
Master B150A

Spec# 3199G20

Form# FA1999-01



HEATER EXPLODED VIEW

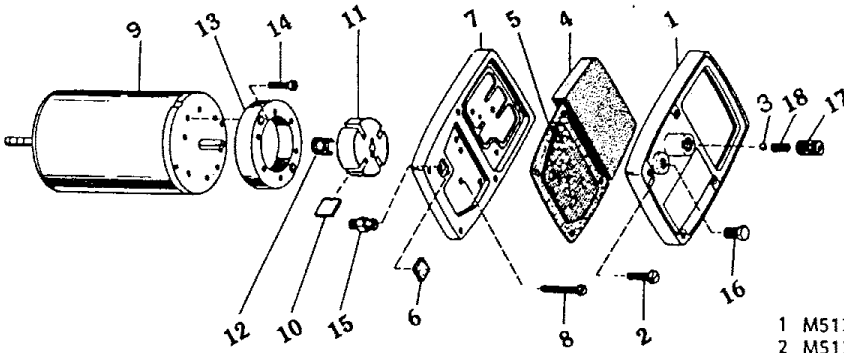


BURNER HEAD ASSEMBLY

NO.	PART NUMBER	PART DESCRIPTION	
1	M17014AB	Shell Assembly, Upper	1
2	M16679	Deflector, Heat	1
3	M16887-6	Chamber Combustion, Assembly	1
	M11084-27	Screw, Hex Hd., 10-16 x 1/2	4
		Attaches Combustion Chamber Front	
	M11084-27	Screw, Hex Hd., 10-16 x 1/2	2
		Attaches Combustion Chamber Rear	
4	M16656-4	Photocell Assembly	1
5	M16660	Bracket, Photocell	1
	M10908-2	Screw, Hex Hd., 6-32 x 3/8	2
		Attaches Photocell Bracket	
6	M16803-8	Burner Head Assembly	1
		(See Page 16 For Details)	
	M11084-27	Screw, Hex Hd., 10-16 x 1/2	3
		Attaches Burner Head	
7	M50814-03	Airline, Includes Sleeves, Nuts	1
8	M28898-03	Control, Flame Out	1
9	M50873-01	Clip, Airline	2
10	M16841-40	Assembly, Wire, Red	2
11	M13942-5	Connector, Wire	1
12	M13942-6	Connector, Wire	1
13	M17058	Fan	1
14	SF4-2.5K	Setscrew, Socket Hd., Cup Point 1/4-20, Attaches Fan to Motor	2
15	M16661	Clamp, Motor	4
16	M51043-01	Screw, Motor Clamp, 1/4-20 x 1 1/2	2
17	WLM-4	Lockwasher 1/4 in.	2
18	NPC-4C	Nut, Hex 1/4-20	2
19	M51158-01	Motor & Pump Assembly	1
		(See Page 16 For Details)	
20	M12828	Bracket, Shell Support	1
	M11084-29	Screw, Hex Hd., 10-16 x 3/4	4
		Attaches Support Bracket to Shell and Fuel Tank	
21	M11271-6	Nut, Clip	8
22	M16810A	Shell, Lower	1
23	M11084-27	Screw, Hex Hd., 10-16 x 1/2	8
		Attaches Lower Shell to Upper Shell	
24	M16645	Bracket, Motor Support	1
25	1000577	Grommet	1
26	M16697-02	Transformer, 5000 Volt	1
27	M11143-1	Bushing, Strain Relief	1
28	M10813-88	Cord, Power	1
29	M13942-7	Connector, Wire	1
30	M51011-01AA	Tank, Fuel	1
31	M51027-06	Cap, Fuel	1
32	M51001-01	Filter, Fuel	1
33	M10990-3	Bushing, Rubber, Fuel Line Into Fuel Tank	1
34	M27417	Plug, Drain, Includes "O" Ring	1
35	1000576	Grommet Leads Thru Lower Shell	2
36	M12462-6	Relay, Motor Start	1
37	M25296-1	Bracket, Safety Control	1
38	M11084-27	Screw, 10-16 x 1/2, Grounding	1
	M16803-8	Burner Head Assembly	
		Tube, Filter, (Fuel Line)	1
1	M16790-12	Filter, Fuel	1
2	M19630	Nut, Flared	1
3	M13849	Ring, Retaining	1
4	M16741-18		
	M16787-9	Nozzle Adapter Assembly	1
5	M16791	Connector, Male	1
6	M50817-01	Fitting Barb	1
7	M8882	Sleeve, Nozzle Seal	1
8	M10659-1	Washer, Nozzle	2
9	M10809-1	Spring, Nozzle Seal	1
10	M18022	Nozzle, 1.1 GPH	1
11	M16535	Adapter, Nozzle	1
12	M10962-2	Spark Plug	1
13	M23090	Body, Burner Head	1

Master B150A

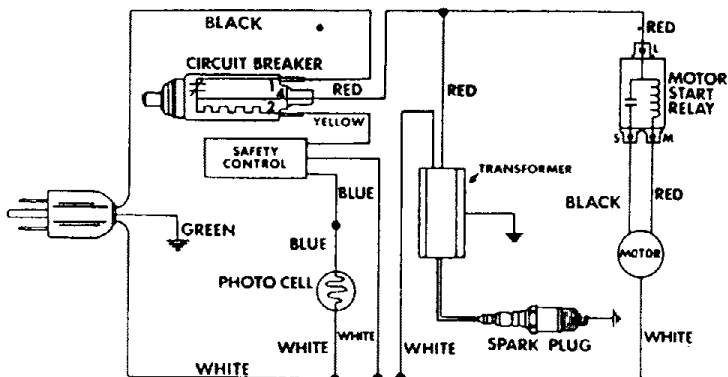
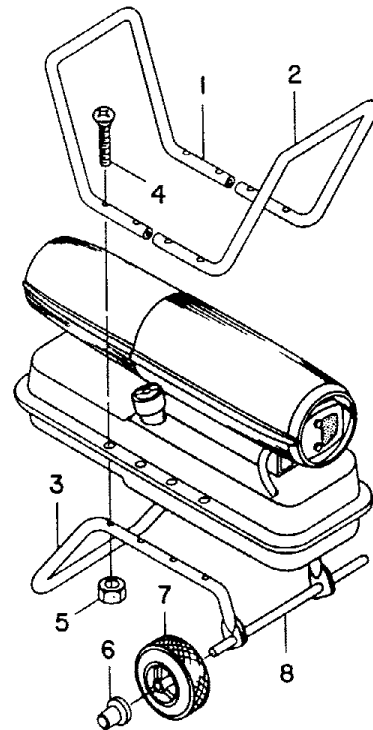
Spec # 3199G20



MOTOR AND PUMP ASSEMBLY

	M51158-01	Motor & Pump Assembly-- Complete	
1	M16545	End Cover, Filter	1
2	M12462-31	Screw, Hex Hd., 10-32 x 1 Attaches Filter End Cover To Pump End Cover	4
3	M8940	Ball 1/2 in. dia.	1
4	M12179	Filter, Air, Intake	1
5	M12244-1	Filter Assembly, Output	1
6	M11637	Filter, Lint	1
7	M50545	Cover, End Pump	1
8	M12461-34	Screw, Hex Hd., 10-32 x 1 1/2	6
9	M51159-01	Motor	1
10	M8643-3	Blade, Pump	4
11	M22456-3	Rotor, Pump	1
12	M22009	Insert, Hold Rotor To Motor Shaft	1
13	M8645-3	Body, Pump	1
14	FHPF3-7C	Screw, 10-32 x 7/8	2
15	M50817-01	Fitting Barb	1
16	M22997	Plug, Pipe	1
17	M27694	Screw, Pressure Adjustment	1
18	M10993-1	Spring, Compression Pressure Relief	1

1	M51334-03	Handle, Front	1
2	M51334-01	Handle, Rear	1
3	M12831-3	Frame Wheel Support	1
4	M12345-33	Screw, Oval Hd., 10-24 x 1 3/4	8
5	NTC-3C	Nut, Torque, Lock No. 10-24	8
6	M28526	Nut, Cap	2
7	M19295	Wheel	2
8	M16801-2	Axle	1



WIRING DIAGRAM