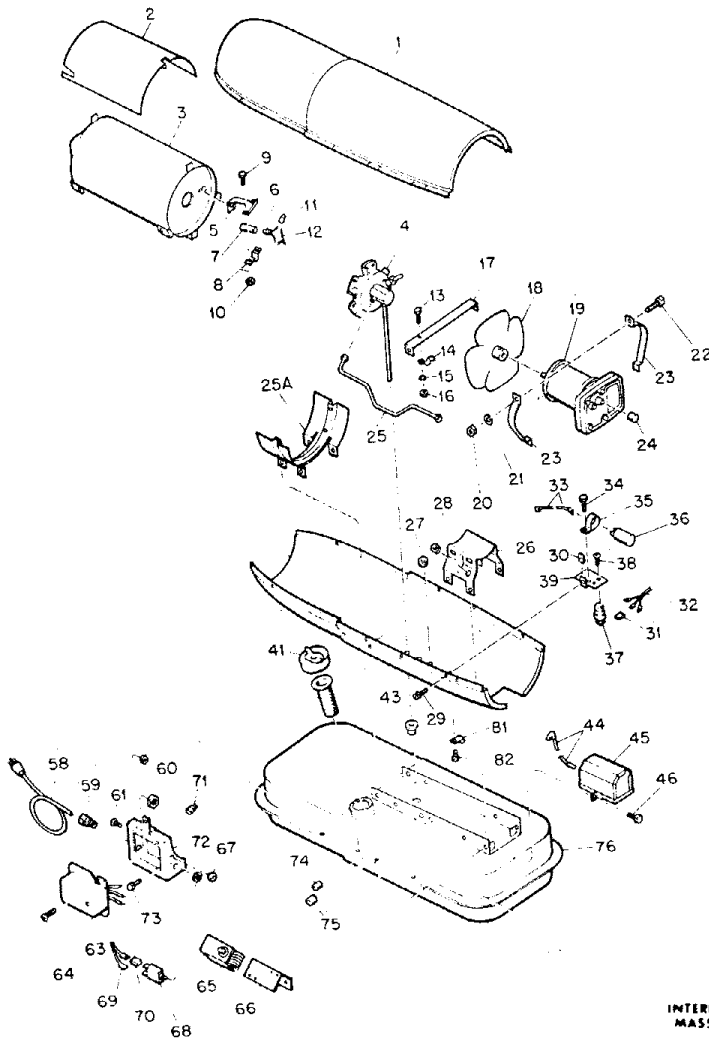
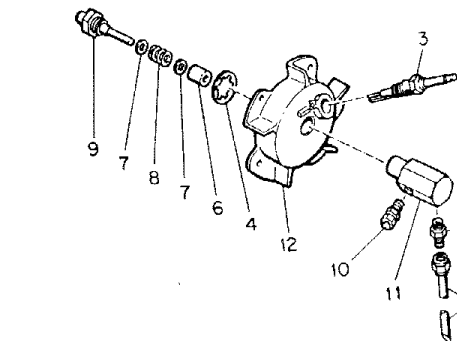


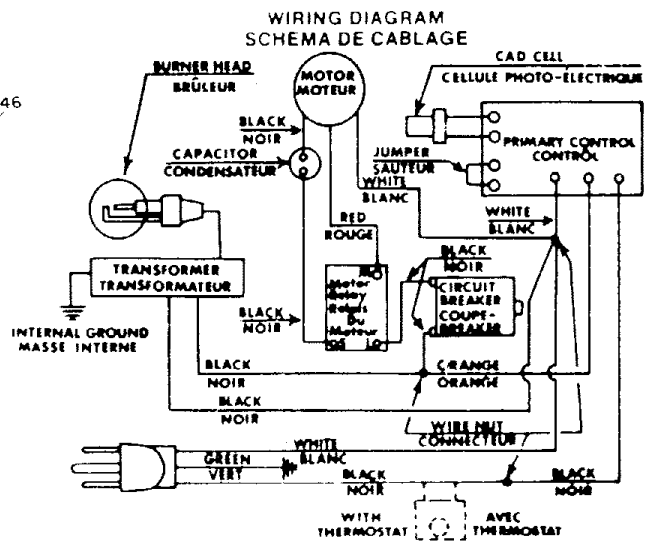
Master B150C Spec # 3198G01 Form 2972-2



1	M16545	. End Cover, Filter	1
2	* M12461-31	. Screw, Hex hd., No. 10-32 x 1 (APO)	4
3	* WLI-3	. Lockwasher, Internal No. 10 (AP)	4
4	M12179	. Intake Air Filter	1
5	M12244-1	. Output Filter Assy	1
6	M11637	. Filter, Lint	1
7	M12233	. Front Cover, Pump (Port plate)	1
8	* M12461-34	. Screw, Hex hd., No. 10-32 x 1-1/2 (AP)	6
9	WLI-3	. Lockwasher, Internal No. 10 (AP)	6
10	M8643-3	. Blade, Pump	4
11	M22456-3	. Rotor, Pump	1
12	M22009	. Insert, Rotor	1
13	M8645-3	. Pump Body	1
14	* FHPP3-7C	. Screw (Pump Body to Motor)	2
15	M5976	. Connector, Male	1
16	M22997	. Plug	1
17	M27694	. Screw, Pressure Adjustment	1
18	M10993-1	. Spring, Compression (Pressure Relief)	1
19	M8940	. Ball, 1/4 in. dia.	1
20	M17814-5	. Motor	1



1	M13849	. Nut, Flared	1
2	M16789-7	. Fuel Filter Assembly	1
3	M13031-2	. Spark Plug	1
4	M16741-18	. Ring, Retaining	1
5	M16787-7	. Nozzle Adapter Assy	1
6	M5976	. Connector, Male	1
7	M8882	. Sleeve, Nozzle Seal	1
7	M10659-1	. Washer, Nozzle Seal	2
8	M10809-1	. Spring, Nozzle Seal	1
9	M18022	. Nozzle, Aspirating	1
10	M16791	. Connector, Male	1
11	M16535	. Adapter, Nozzle	1
12	M23090	. Body, Burner Head	1



Master B150C Spec# 3198001

1	M17015-3AZ	Shell, Upper	1	21	1000577	Grommet (Leads to Motor and Capacitor)	2
	M11084-27	Screw, Hex hd., No. 10-12 x 1/2 in.	6				1
	M11271-6	Nut, Tinnerman	6	22	M12650-1	Capacitor	1
2	M16679	Deflector, Heat	1	23	M12651-1	Clamp, Tinnerman (Capacitor Mounting)	1
3	M16887-7	Combustion Chamber Assembly	1		M11084-27	Screw (Capacitor Clamp to Motor Support Bracket)	1
4	M16803-7	Burner Head Assembly (For details see figure 13)	1				1
-	M11084-27	Screw, Hex Hd., No. 10-12 x 1/2 in.	3	24	M16645	Bracket, Motor Support	1
5	M13961A	Bracket Photo Cell	1		M11084-27	Screw (Motor Support Bracket to Lower Shell and Fuel Tank)	4
-	M10908-1	Screw, Hex, Hd., No. 6-32 x 1/4 in.	2		M15823-26	Screw (Service Cord grounding to Motor Support Bracket)	1
6	M23609-01	Photo Cell	1				1
7	M13962A	Tube, Photo Cell	1				1
8	M113963A	Clamp, Tube	1	25	M16697	Transformer, 5000 Volt	1
9	M12461-2	Screw, Hex hd., 6-32 x 3/8 in.	2		M11084-27	Screw (Transformer to Motor Support Bracket)	2
10	NPC-IC	Nut, Plain, 6-32	2				1
11	M15714-2	Connector, Wire	2	26	M11954	Bushing, Strain Relief (Service Cord to Lower Shell)	1
12	M28149-01	Lead Wire, Photo Cell	1				1
13	M12461-27	Screw, Hex hd., No. 10-32 x 1/2 in.	1	27	M10813-33	Service Cord Connector (Wire Nut)	4
14	M24717	Clamp	1	28	M13942-2	Connector (Wire Nut) approx. 7/8 in. long	2
15	WLM-3	Lockwasher	1		M13942-4	Wire Assy (to Capacitor) Fuel Tank	1
16	NPF-3C	Nut, Hex, 10-32	1				1
17	M16871	Strap, Retainer	1	29	M9900-77	Cap, Fuel Tank	1
-	M11084-27	Screw, Hex hd., No. 10-12 x 1/2 in.	2	30			1
18	M17058	Fan, 16 Pitch	1	31	M23284	Screen, Filler Neck	1
	SF4-2-1/2K	Setscrew, Socket hd., cup pt.; 1/4-28 x 5/16 in. (Furnished with fan)	2	32	M18053	Bushing, Rubber (Fuel Filter into Fuel Tank)	1
				33	M10990-3	Plug, Drain	1
19	M17875-8	Motor Package Assembly (For details see figure 14)	1	34	M25375	O-Ring	1
20	NPC-4	Nut, Plain hex, 1/4-20	2	35	M25277	Plug, Pipe	1
21	WLM-4	Lockwasher, 1/4 in.	2	36	M25297-1	Thermostat Assy	1
22	HC4-10C	Screw, Hex hd., 1/4-20 x 1-1/4 in.	2		RC1-3C	Screw (Thermostat to Bracket)	2
23	M16661	Clamp, Motor	4		NPC-1C	Nut, Plain 6-32 (AP)	2
24	M26046	Cap	1	37	WLI-1	Lockwasher (AP)	4
25	M16804	Air Line	1		M25121B	Bracket, Thermostat	1
25A	M12828	Shell Support Bracket	1		M11084-27	Screw (Thermostat Bracket to Lower Shell (AP))	2
26	M16645	Bracket, Motor Support	1				1
-	M11084-27	Screw, Hex hd., No. 10-12 x 1/2 in.	4	38	M24982-5	Safety Control Sensor and Circuit Breaker	1
27	1000576	Grommet	2	39	M12462-6	Relay, Starting	1
28	1000577	Grommet	1	40	RC2-2C	Screw (Relay to Relay Bracket)	2
29	M11084-27	Screw, Hex hd., 10-12 x 1/2 in. (Relay Bracket)	1	41	M25296-1	Bracket, Safety Control	1
30	M11271-6	Nut, Tinnerman	1	42	M11084-27	Screw	1
31	M25920	Insulator, Terminal	5	43	M16615G1	Wiring Harness Assy	1
32	M16841-21	Wire Assembly, Relay	1	44	M9900-80	Wire Assy., Safety Control	1
33	M16841-20	Wire Assembly, Capacitor	1	45	M9900G2	Wire Assy	1
34	M11084-39	Screw, Hex hd., No. 8-15 x 1/2 in.	1				
35	M12651-1	Clamp Capacitor	1				
36	M12650-1	Capacitor	1				
37	M12462-6	Relay, Motor start	1				
38	RC2-2C	Screw, Rd hd., 8-32 x 1/4 in.	2				
39	M11952	Bracket, Relay	1				