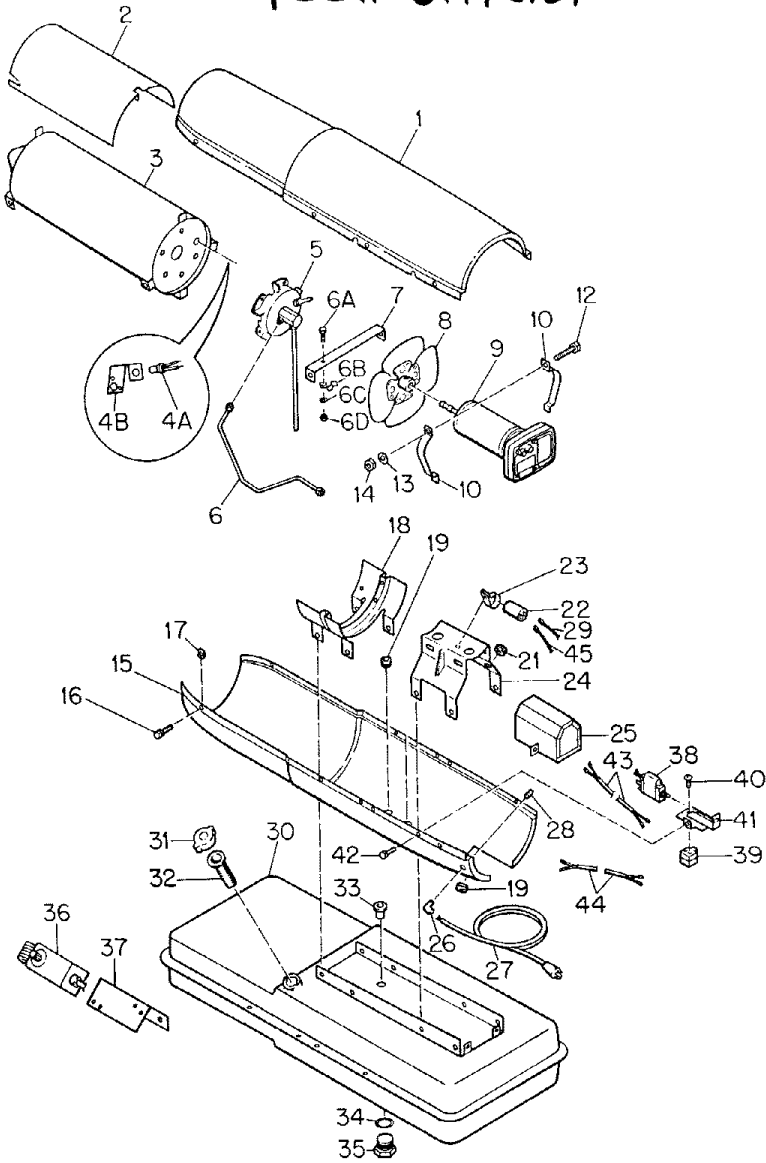


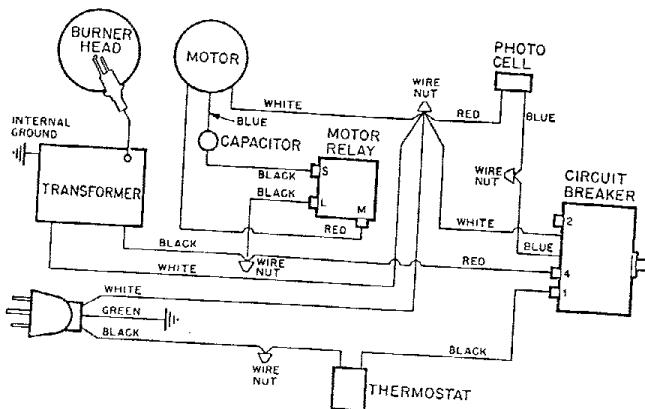
Master B150D

Spec # 3199 G01

Form # 2965 6-73

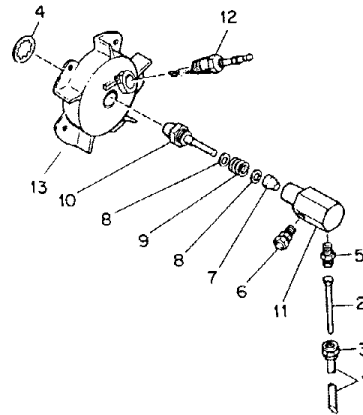


1	M17015-1A	Shell Assembly, Upper	1
2	M16679	Deflector, Heat	1
3	M16887-6	Combustion Chamber	1
	M11084-27	Screw (Combustion Chamber attaching, front)	2
	M11084-29	Screw (Combustion Chamber attaching, rear)	2
4A	M16656-3	Cell and Bushing Assy	1
4B	M16660	Bracket, Photo Cell	1
	M10908-1	Screw	2
5	M16803-4	<u>Burner Head Assy</u> (See Figure 14)	1
-	M11084-27	Screw (Burner Head to Combustion Chamber)	3
6	M16804	Air Line	1
6A	M12461-27	Screw (Air line retaining)	1
6B	M24717	Clamp (Air line)	1
6C	WLM-3	Lockwasher No. 10	1
6D	NPF-3C	Nut, Plain No. 10-32	1
7	M16871	Strap, Retainer	1
	M11084-27	Screw (Retainer Strap to Lower Shell)	2
8	M17058	Fan, 16° Pitch	1
	SF4-2-1/2K	Setscrew, Soc. hd., cup pt., 1/4-28 (Fan to Motor Shaft)	2
9	M17875-9	<u>Motor Package Assy</u> (See Figure 15)	1
10	M16661	Clamp, Motor	4
11	Not Used		
12	HC4-10C	Screw (Motor Clamps)	2
13	WLM-4	Lockwasher, 1/4 in., (Motor Clamps)	2
14	NPC-4C	Nut, Hex, 1/4-20 (Motor Clamps)	2
15	M16810A	Shell, Lower	1
16	M11084-27	Screw (Upper Shell to Lower Shell)	8
17	M11271-6	Nut, Tinnerman (Upper Shell to Lower Shell)	8
18	M12828A	Bracket, Shell Support	1
	M11084-29	Screw (Support Bracket to Lower Shell and Fuel Tank)	4
	M11084-29	Screw (Lower Shell to Support Bracket)	2
19	1000576	Grommet (Cables and Leads)	



Master B150 D spec# 3199G01

1	M16790-12	. Filter Tube	1
2	M19630	. Filter, Fuel	1
3	M13849	. Nut, Flare	1
4	M16741-18	. Ring, Retaining	1
	M16787-3	. Nozzle Adapter Assy	1
5	M16791	. . Connector, Male	1
6	M5976	. . Connector, Male	1
7	M8882	. . Sleeve, Nozzle Seal	1
8	M10659-1	. . Washer, Nozzle Seal	2
9	M10809-1	. . Spring, Nozzle Seal	1
10	M18022	. . Nozzle, Aspirating, 1.0 gph	1
11	M16535	. . Adapter, Nozzle	1
12	M10962-2	. Spark Plug	1
13	M23090	. Body, Burner	1



1	M16545	. . End Cover, Filter	1
2	M12461-31	. . Screw (Filter End Cover to Pump End Cover)	4
3	WLI-3	. . Lockwasher, Internal No. 10	4
4	M12179	. . Intake Air Filter	1
5	M12244-1	. . Output Filter Assy	1
6	M11637	. . Filter, Lint	1
7	M12233	. . End Cover, Pump (Port Plate)	1
8	M12461-34	. . Screw	6
9	WLI-3	. . Lockwasher, Internal, No. 10	6
10	M8643-3	. . Blade	4
11	M22456-3	. . Rotor	1
12	M22009	. . Insert	1
13	M8645-3	. . Pump Body	1
14	FHPF3-7C	. . Screw (Pump Body to Motor)	2
15	M5976	. . Connector, Male	1
16	M22997	. . Plug	1
17	M23105	. . Screw, Pressure Adjustment	1
18	M10993-1	. . Spring, Compression (Pressure Relief)	1
19	M8940	. . Ball, 1/4 in. dia.	1
20	M17814-6	. Motor	1
-	M16675-2	Kit, Pump and Filter	1

