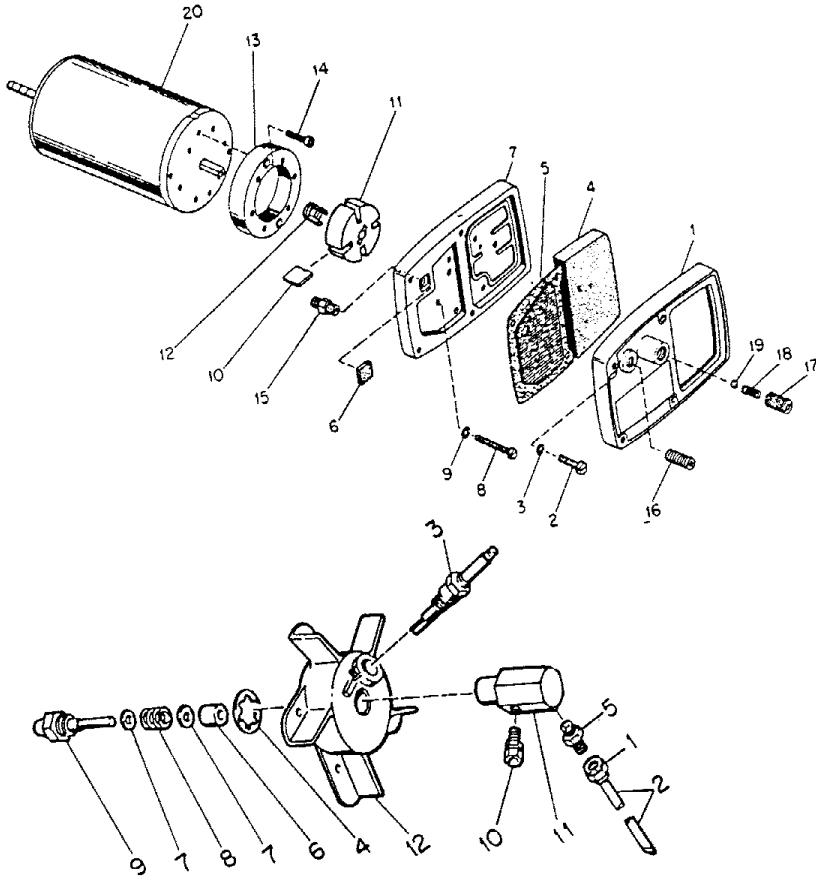




# Master B100C Spec # 3197G01



1	M13849	. Nut, Flared	1
2	M16789-6	. Fuel Filter Assembly	1
3	M13031-2	. Spark Plug	1
4	M16741-18	. Ring, Retaining	1
	M23151-3	. Nozzle Adapter Assy	1
5	M5976	. . Connector, Male	1
6	M8882	. . Sleeve, Nozzle Seal	1
7	M10659-1	. . Washer, Nozzle Seal	2
8	M10809-1	. . Spring, Nozzle Seal	1
9	M23103	. . Nozzle, Aspirating	1
10	M16791	. . Connector, Male	1
11	M16535-2	. . Adapter, Nozzle	1
12	M16534	. Body, Burner Head	1
		x 1/2 in. (Ground wire)	1
63	- NTC-3C	Nut, Lock No. 10-24 (Ground wire)	1
64	M22082	Control Assembly, Safety	1
65	RF3-4C	Screw, Rd. hd., No. 10-32 x 1/2 in. (AP)	2
66	M25916	Circuit Breaker	1
67	M16841-19	Wire Assy, Circuit breaker	1
68	M25920	Insulator, Terminal	2
69	M15714-2	Connector, Wire	3
70	M27327-1A	Control Box Mounting Assembly	1
71	M11084-26	Screw, Hex hd., No. 10-12 x 3/8 in. (AP)	3
72	M25907	Bushing, Snap	1
73	M23611	Bushing, Snap	1
74	M27552-02A	Fuel Tank Assembly	1
75	M27366A	Guard, Nose	1
76	M12345-34	Screw, Oval, 10-24 x 2 in. (AP)	4
77	NTC-3C	Nut, Torque Lock No. 10-24 (AP)	4
78	M27358A	Handle, Front	1
79	M3570	Clip, Nylon	2
80	M11084-39	Screw, Hex hd., 8-15 x 1/2 in.	

	M23149-5	Motor Package Assembly	1
1	M16545	. End Cover, Filter	1
2	*M12461-31	. Screw, Hex hd., No. 10-32 x 1 (AP)	4
3	*WLI-3	. Lockwasher, Internal No. 10 (AP)	4
4	M12179	. Intake Air Filter	1
5	M12244-1	. Output Filter Assy	1
6	M11637	. Filter, Lint	1
7	M12233	. Front Cover, Pump (Port Plate)	1
8	*M12461-32	. Screw, Hex hd., No. 10-32 x 1-1/8 (AP)	6
9	WLI-3	. Lockwasher, Internal	
10	M8643	. Blade, Pump	4
11	M22456-1	. Rotor, Pump	1
12	M22009	. Insert, Rotor	1
13	M8645	. Pump Body	1
14	*FHPPF3-4C	. Screw (Pump Body to Motor)	2
15	M5976	. Connector, Male	1
16	M22997	. Plug	1
17	M23105	. Screw, Pressure Adjustment	1
18	M10993-1	. Spring, Compression (Pressure Relief)	1
19	M8940	. Ball, 1/4 in. dia.	1
20	M23107-4	. Motor	1
-	M11084-29	Screw, Hex hd., 10-12 x 3/4 in. (AP)	4
42	M23284	Cap, Filler	1
43	M18053	Screen, Filler Neck	1
44	M10990-3	Bushing	1
45	M10861-41	Lead Assembly, Transformer	1
46	M25922	Transformer Assy	1
47	M11084 27	Screw, Hex hd., 10-12 x 1/2 in. (AP)	2
48	M13830A	Handle, Rear	1
49	M12345-34	Screw, Oval hd., 10-24 x 2 in. (AP)	4
50	NTC-3C	Nut, Torque Lock No. 10-24 (AP)	4
51	M27417	Drain Plug Assembly	1
52	M16801A	Axle	1
53	M12342A	Frame, Wheel support	1
54	M12345-34	Screw, Oval hd., 10-24 x 2 in. (AP)	4
55	NTC-3C	Nut, Torque lock. 10-24 (AP)	4
56	WP-8C	Washer, Flat. 1/2 in.	4
57	M19295	Wheel	2
58	M16741-15	Ring, Retaining	2
59	M10813-41	Extension Cord Assembly	1
60	M6082	Connector, Straight	1
61	50460	Locknut	1
62	RC3-4C	Screw, Rd. hd., No. 10-24	