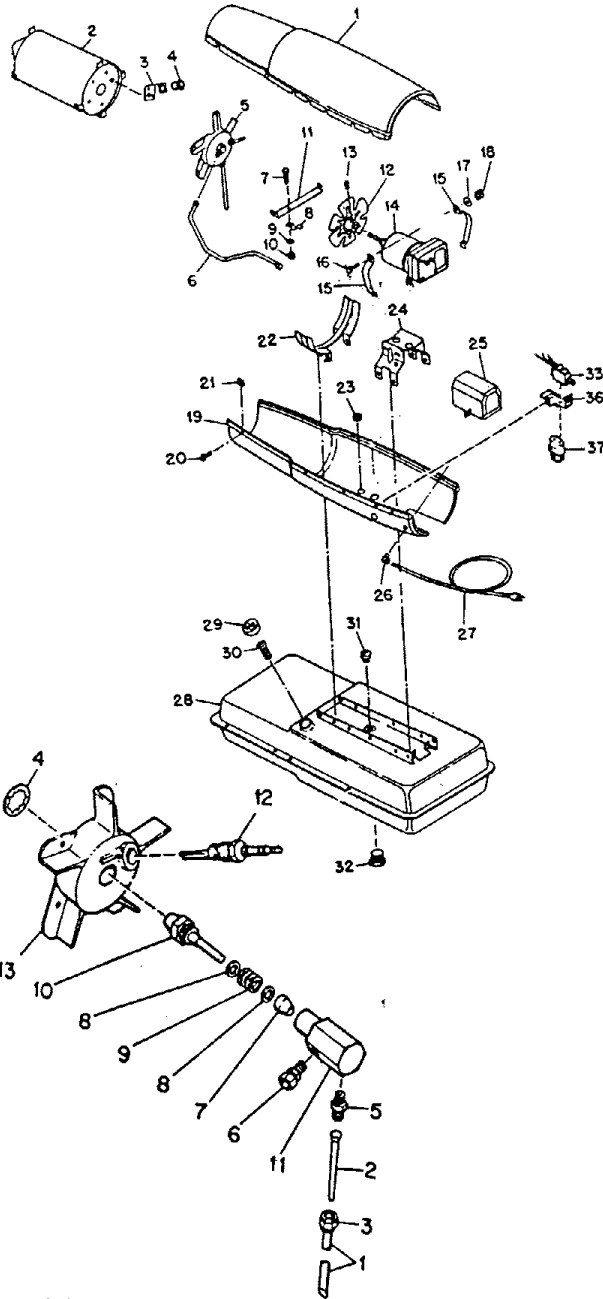


# Master

# B100D

Spec # 3196G01

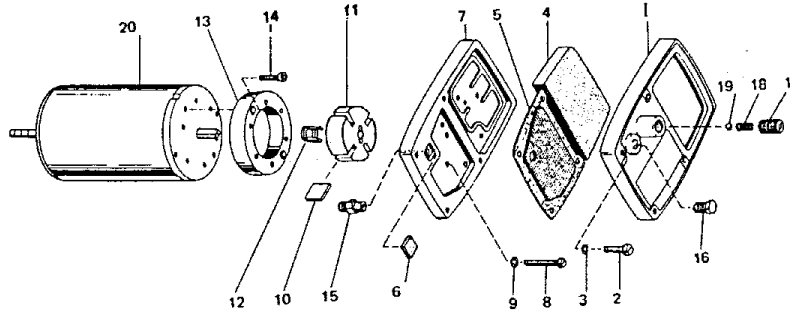
Form # 2944-02



	M23150-1	Burner Head Assembly	1
1	M16790-8	. Filter, Tube	1
2	M19630	. Filter, Fuel	1
3	M13849	. Nut, Flared	1
4	M16741-18	. Ring, Retaining	1
	M23151-1	. Nozzle Adapter Assy.	1
5	M16791	. . Connector, Male	1
6	M5976	. . Connector, Male	1
7	M8882	. . Sleeve, Nozzle Seal	1
8	M10659-1	. . Washer, Nozzle Seal	2
9	M10809-1	. . Spring, Nozzle Seal	1
10	M23103	. . Nozzle, Aspirating	1
		0.66 GPH	1
11	M16535	. . Adapter, Nozzle	1
12	M10962-2	. Spark Plug	1
13	M16534	Body, Burner Head	1

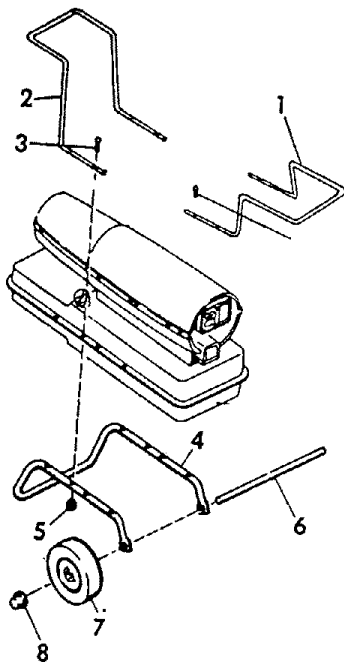
1	M13134-3AZ	Shell, Upper	1
2	M16781-4	Chamber, Combustion	1
	M11084-27*	Screw (Combustion Chamber attaching front)	2
	M11084-29*	Screw (Combustion Chamber attaching rear)	2
3	M16660	Bracket, Photo cell	1
	M10908-1*	Screw (Photo cell Bracket to Combustion Chamber rear head)	2
4	M16656-3	Cell and Bushing Assy.	1
5	M23150-1	Burner Head Assembly	1
	M11084-27*	Screw (Burner Head to Combustion Chamber)	3
6	M16879	Air Line	1
7	M12461-27	Screw, Slotted hex hd., No. 10-32 x 1/2 in.	1
8	M24717	Clamp, Tube	1
9	WLM-3	Lockwasher, No. 10	1
10	NPF-3C	Nut, Plain No. 10-32	1
11	M15807	Strap, Retainer	1
	M11084-27*	Screw (Retainer Strap to Lower Shell)	2
12	M23147	Fan	1
13	SF4-2-1/2K	Setscrew, Soc. hd., cup pt., 1/4-20 (Fan to Motor Shaft)	2
14	M23149-7	Motor Package Assembly	1
15	M16661	Clamp, Motor	4
16	HC4-10C	Screw (Motor Clamps)	2
17	WLM-4*	Lockwasher, 1/4 in. (Motor Clamps)	2
18	NPC-4C*	Nut, Hex, 1/4-20 (Motor Clamps)	2
19	M16777AZ	Shell, Lower	1
20	M11084-27*	Screw (Upper Shell to Lower Shell)	6
21	M11271-6*	Nut, Tinnerman (Upper Shell to Lower Shell)	6
22	M12330	Bracket, Shell Support	1
	M11084-27*	Screw (Support Bracket to Lower Shell and Fuel Tank)	4
	M11084-29*	Screw (Lower Shell to Support Bracket)	2
23	1000576	Grommet (Ignition cable thru Lower shell)	3
24	M25059-02	Bracket, Motor Support	1
	M11084-27*	Screw (Motor Support Bracket to Lower Shell and Fuel Tank)	6
25	M16697-02	Transformer, 5000 volt	1
	M11084-27	Screw (Transformer to Motor Support Bracket)	2
26	M11143-1	Bushing, Strain Relief (Service Cord to Lower Shell)	1
27	M10813-77	Cord Assembly, Extension	1
28	M27552-01BA	Tank Assembly, Fuel	1
29	M23284	Cap, Fuel Tank	1
30	M18053	Screen, Filler Neck	1
31	M10990-3	Bushing, Rubber (Fuel Filter into Fuel Tank)	1

# Master B100D spec# 3196G01



10	M8643	. Blade	4
11	M22456-1	. Rotor	1
12	M22009	. Insert	1
13	M8645	. Pump Body	1
14	FHPF3-4C	. Screw (Pump Body to Motor)	2
15	M5976	. Connector, Male	1
16	M22997	. Plug, Hex hd.	1
17	M27694	. Screw, Pressure Adjustment	1
18	M10993-1	. Spring, Compression (Pressure Relief)	1
19	M8940	. Ball, 1/4 in. dia.	1
20	M30718-01	. Motor	1

\* Standard hardware. Purchase locally.



1	M13830-3	Handle, Rear	1
2	M13831-3	Handle, Front	1
3	M12345-33	Screw, Handles and Wheel Support Frame to Fuel Tank	8
4	M12342-3	Wheel Support Frame	1
5	NTC-3C*	Nut, Hex 10-24 Torque Lock	8
6	M16801A	Axle	1
7	M19294	Wheel	2
	M28526	Nut Cap	2

