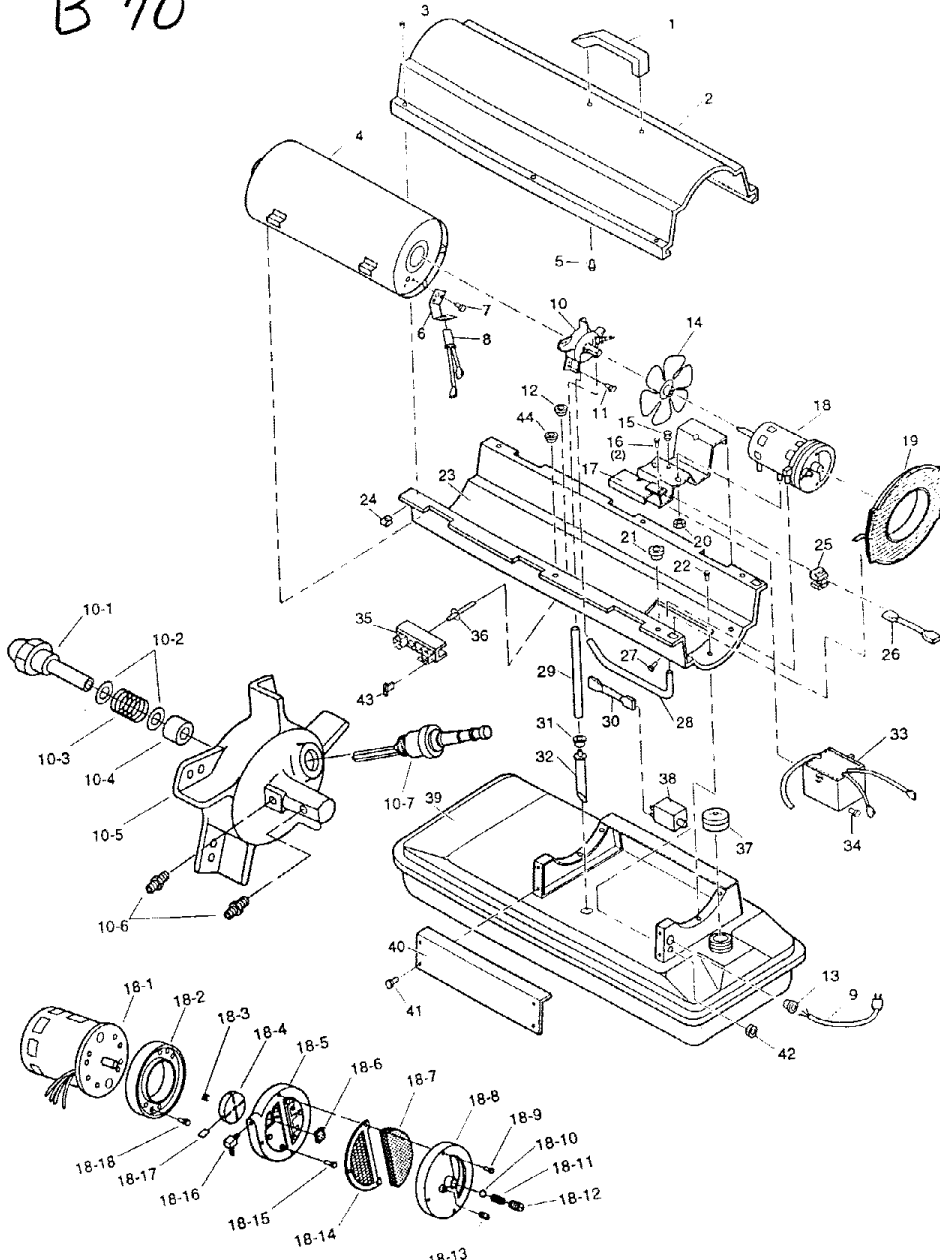


Master B 70



1	M51104-01	Handle	1
2	098511-54	Upper Shell	1
3	M15823-27	Screw, #10-16 x 1/2"	6
4	098512-12	Combustion Chamber	1
5	M11084-29	Screw, #10-16 x 3/4"	2
6	M16660	Photocell Bracket ▲	1
7	M10908-2	Screw, #6-32 x 3/8" ▲	2
8	HA3019	Photocell Assembly ▲	1
9	M15779-27	Power Cord	1
10	**	Burner Head Assembly	1
10-1	M50880-01	Nozzle	1
10-2	M10659-1	Nozzle Seal Washer	2
10-3	M10809-1	Nozzle Seal Spring	1
10-4	M8882	Nozzle Seal Sleeve	1
10-5	M51098-02	Burner Head Body	1
10-6	M50820-01	Barb Fitting	2
10-7	M10962-2	Spark Plug	1
11	M11084-27	Screw, #10-16 x 1/2"	3
12	M30865-02	Bushing	1
13	M11143-1	Strain Relief Bushing	1
14	097026-01	Fan	1
15	M50631	Rubber Bumper	2
16	M12461-13	Screw, #8-32 x 1/4" (holds relay in position)	2
17	098138-01	Motor and Relay Bracket Assembly	1
18	**	Motor and Pump Assembly	1
18-1	098782-02	Motor (230V/50Hz)	1
18-2	079975-01	Pump Body	1
18-3	M22009	Insert	1
18-4	M22456-1	Rotor	1
18-5	M29608	End Pump Cover	1
18-6	M29632	Lint Filter	1
18-7	M29633	Intake Filter	1
18-8	M29609	End Filter Cover	1
18-9	M12461-31	Screw, #10-32 x 1"	3
18-10	M8940	Steel Ball (1/4" Dia.)	1
18-11	M10993-1	Pressure Relief Spring	1
18-12	M27694	Adjusting Screw	1
18-13	M22997	Plug	1
18-14	M29612-01	Output Filter	1
18-15	M12461-31	Screw, #10-32 x 1"	6
18-16	M50016	Elbow, 90° (Barb Fitting)	1
18-17	M8643	Blade	4
18-18	FHPF3-2C	Screw, #10-32 x 1/4"	2
19	M51105-01	Fan Guard	1
20	NTC-4C	Hex locknut	2
21	M50104-02	Bushing (wires)	1
22	M11084-26	Screw, #10-16 x 3/8"	6
23	098511-12	Lower Shell	1
24	M11271-8	Clip Nut	6
25	098136-02	Relay (motor start)	1
26	M16841-58	Wire Assembly (red 9 1/2")	1
27	M15823-37	Screw, #8-18 x 1/4"	1
28	M29652-04	Rubber Airline	1
29	079973-01	Fuel Line	1
30	M16841-57	Wire Assembly (red 8 1/2")	1
31	M10990-3	Rubber Bushing	1
32	M50876-05	Fuel Filter Assembly (Includes bushing)	1
33	098557-07	Electronic Ignitor	1
34	M11084-29	Screw, #10-16 x 3/4"	2
35	099125-02	Terminal Board	1
36	099157-01	Rivet	1
37	097702-01	Fuel Tank Cap	1
38	097630-02	Flame-Out Control ▲	1
39	098513-02	Fuel Tank	1
40	M50899-03AB	Side Cover	1
41	M11084-26	Screw, #10-16 x 3/8"	1
42	099177-01	Nut, 3/8-27 ▲	2
43	078918-01	Terminal Board Tab Cap	3
44	M30865-02	Bushing ▲	1
	M18053	Filter Neck Screen	1

