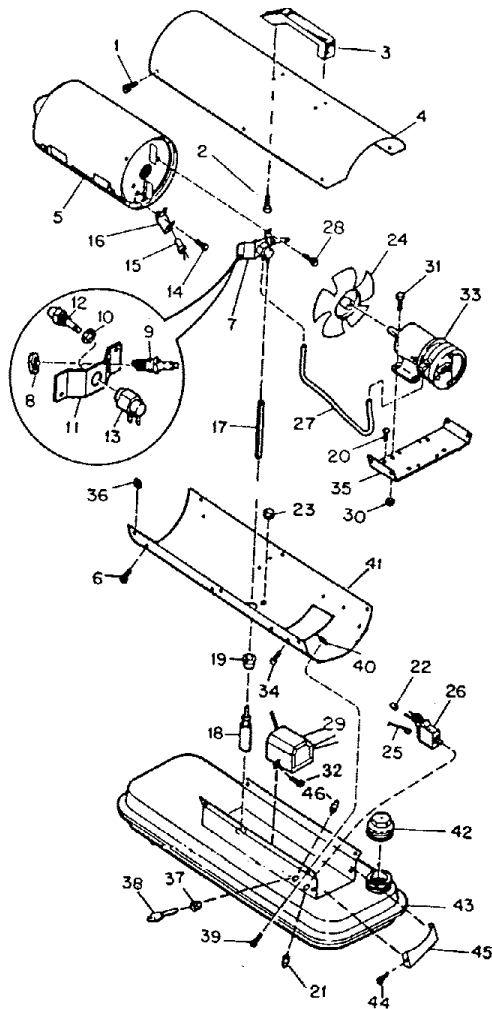


Master B50 B

Spec# 5003 G12

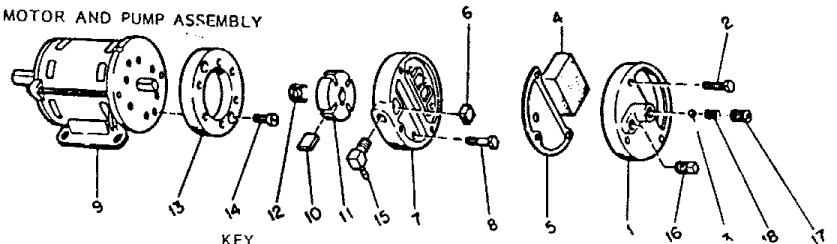
Form # FA1999-01



KEY NO.	PART NUMBER	PART DESCRIPTION	QTY
1	M11084-27	Screw, Hex Head, 10-16 x 1/2	6
2	M50589-01	Screw, Holds Handle to Shell	2
3	M51104-01	Handle	1
4	M51391-01AB	Shell, Upper	1
5	M30883-01	Chamber, Combustion, Assembly	1
6	M11084-26	Screw, Hex, Head 10-16 x 3/8	4
7	M29707-02	Burner Head Assembly	1
8	M29824	Nut, Special 14 MM	1
9	M29835	Spark, Plug	1
10	M16741-18	Ring, Retainer	1
11	M29615-01	Bracket, Assembly	1
	M29705-02	Nozzle Adaptor Assembly (key numbers 12 and 13)	
12	M30875	Nozzle Siphon	1
13	M29805	Adaptor, Nozzle	1
14	M10908-2	Screw, Hex Head 6-32 x 3/8 Secures Photocell Bracket to Combustion Chamber	2
15	M16656-4	Photocell and Bushing Assembly	1
16	M16660	Bracket, Photocell	1
17	M29652-02	Tubing, Fuel Line	1
18	M29814-03	Filter, Fuel	1
19	M10990-3	Bushing, Rubber	1
20	M11084-26	Screw, Hex Head 10-16 x 3/8 (Ground)	1
21	M13942-5	Connector, Wire	1
22	M13942-7	Connector, Wire	1
23	1000576	Grommet	2
24	M30884	Fan	1
25	M16841-16	Wire Assembly	1
26	M28898-03	Flame Out Control Assembly (safety)	1
27	M29652-01	Tubing, Airline	1
28	M11084-26	Screw, Hex Head, 10-16 x 3/8 Secures Burner Head Assembly to Combustion Chamber	2
29	M16697-01	Transformer Assembly 5000 Volt	1
30	NTC-3C	Nut, 10-24	4
31	M12461-50	Screw, Hex Head, 10-24 x 3/8	4
32	M11084-26	Screw, Hex Head, 10-16 x 3/8	2
33	M29750-02	Motor and Pump Assembly	1
34	M11084-26	Screw, Hex Head, 10-16 x 3/8 Secures Motor Support Bracket to Lower Shell	4
35	M29616	Motor Support Bracket	1
36	M11271-6	Nut, Clip	6
37	M11143-1	Bushing, Strain, Relief	1
38	M10813-74	Power Cord	1
39	M11084-27	Screw, Hex Head, 10-16 x 1/2 Secures Lower Shell in Position	4
40	M11271-6	Nut, Clip	4
41	M30763AB	Shell, Lower	1
42	M51027-09	Kit, Cap, Fuel	1
43	M30873-01AA	Tank, Fuel Assembly	1
44	M11084-26	Screw, Hex Head 10-16 x 3/8	2
45	M30726AA	Bracket, End Cover	1
46	M13942-6	Connector, Wire	1

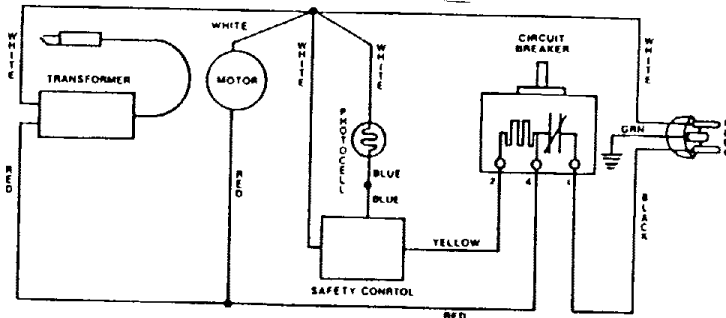
HEATER EXPLODED VIEW
MODEL B50B

MOTOR AND PUMP ASSEMBLY



KEY NO.	PART NUMBER	PART DESCRIPTION	QTY
---------	-------------	------------------	-----

WIRING DIAGRAM



KEY NO.	PART NUMBER	PART DESCRIPTION	QTY
	M29750-02	Motor Package Assembly	
1	M29609	End Cover, Filter	1
2	M12461-31	Screw (Filter End Cover to Pump End Cover)	3
3	M8940	Ball, 1/2 in. dia.	1
4	M29633	Intake Air Filter	1
5	M29612-01	Output Filter Assembly	1
6	M29632	Filter, Lint	1
7	M29608	End Cover, Pump	1
8	M12461-31	Screw (End Cover to Motor)	6
9	M30876-01	Motor	1
10	M8643	Blade	4
11	M22456-1	Rotor, Pump	1
12	M22009	Insert, Rotor	1
13	M8645	Pump Body	1
14	FHPF3-4C	Screw (Pump Body to Motor)	2
15	M50016	Elbow	1
16	M22997	Plug, Pipe	1
17	M27694	Screw, Pressure Adjustment	1
18	M10993-1	Spring, Compression (Pressure Relief)	1