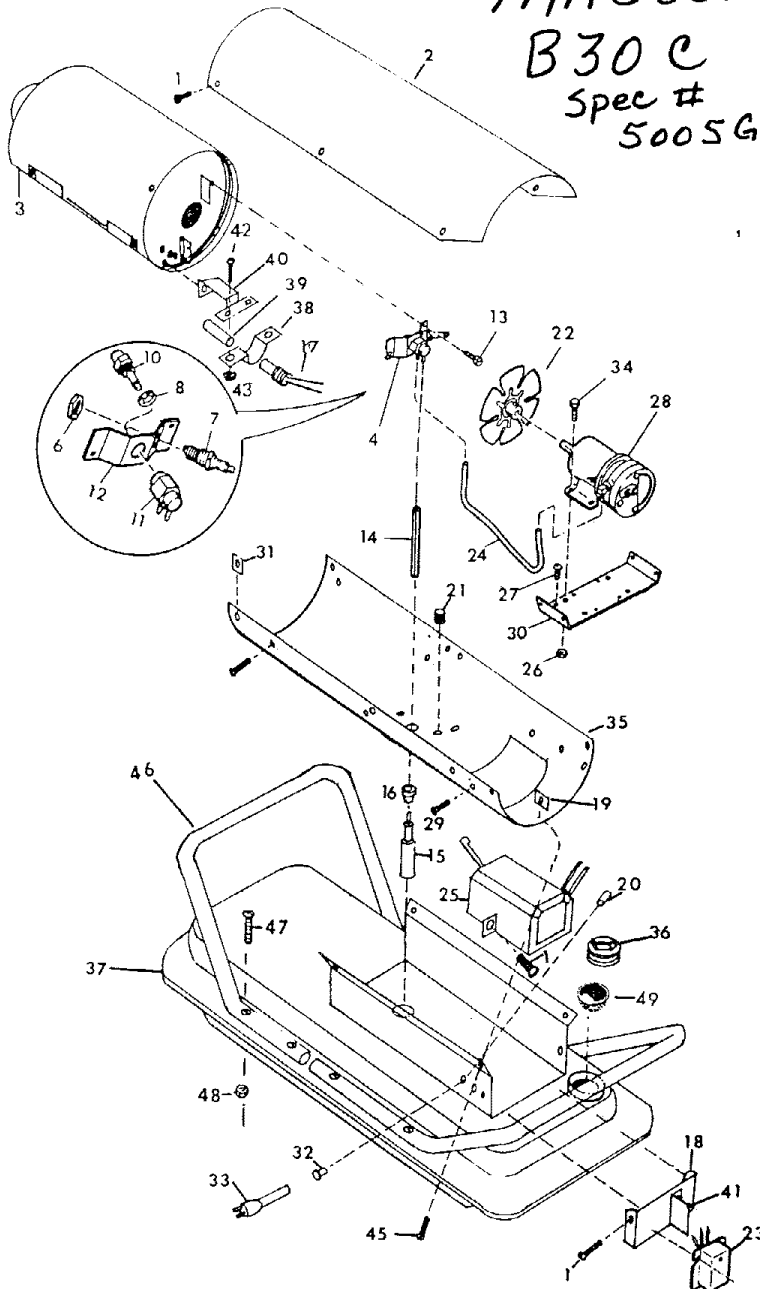


MASTER
B30C
Spec #
5005G04

Form # 4323-1



No.	Number	Part Name	Qty.
1	M11084-26	Screw, Hex hd., 10-12 x 3/8 in.	15
2	M30724-02	Shell, Upper	1
3	M29634-02	Chamber Assembly, Combustion	1
4	M11084-26	Screw, Hex hd., 10-12 x 3/8 in.	2
5	M29707-01	Burner Head Assembly	1
6	M29824	Nut, Special	1
7	M29635	Spark Plug	1
8	M16741-18	Ring, Retamer	1
9	M29705-01	Nozzle Adapter Assembly	1
10	M29681	Nozzle, Siphon	1
11	M29805	Adapter, Nozzle	1
12	M29615-01	Bracket Assembly, Nozzle Adapter	1
13	M10908-1	Screw, Hex hd., 6-32 x 1/4 in	2
14	M29652-02	Tubing, Fuel	1
15	M29814-01	Filter Assembly, Fuel	1
16	M10990-3	Bushing, Rubber	1
17	M23609-02	Photo Cell	1
18	M30778-AA	Bracket, Safety Control	1
19	M12250-2	Nut, Tinnerman	4
20	M15714-1	Connector, Wire	1
21	M30865-02	Bushing	2
22	M26317	Fan	1
23	M31322	Safety Control Assembly	1
24	M29652-01	Tubing, Airline	1
25	M25922	Transformer Assembly	1
26	NTC-3C	Nut	4
27	M12461-50	Screw	4
28	M29750-01	Motor Package Assembly (See Fig. 9)	1
29	M11084-26	Screw	4
30	M29616	Motor Mounting Bracket	1
31	M11271-6	Nut, Tinnerman	6
32	M31318	Bushing, Strain Relief	1
33	M10813-76	Extension Cord Assembly	1
34	M11084-26	Screw	4
35	M30727-AZ	Shell, Lower	1
36	M30715-01BA	Cap, Fuel	1
37	M30723-03AA	Tank Assembly, Fuel	1
38	M13961A	Bracket, Photo Cell	1
39	M13962A	Tubing, Photo Cell	1
40	M13963A	Clamp, Photo Cell	1
41	M31347-AA	Guard, Fuel	1
42	M12462-1	Screw, 6-32 x 1/4	1
43	NPC-1C	Nut, 6-32	1
44	M15714-2	Connector, Wire	2
45	M15823-46	Screw, 8 x 15 x 1-1/2	2
46	M26287-3	Handles, Front-Rear	2

-	M29750-01	Motor Package Assembly	1
1	M29609	End Cover, Filter	1
2	M12461-31	Screw (Filter End Cover to Pump End Cover)	3
3	WLI-3	Lockwasher, Internal No. 10	3
4	M29633	Intake Air Filter	1
5	M29612-01	Output Filter Assembly	1
6	M29632	Filter, Lint	1
7	M29608	End Cover, Pump (Port Plate)	1
8	M12461-32	Screw (End Cover to Motor)	6
9	WLI-3	Lockwasher, Internal, No. 10	6
10	M8643	Blade	4

WIRING DIAGRAM
SCHEMA DE CABLAGE

