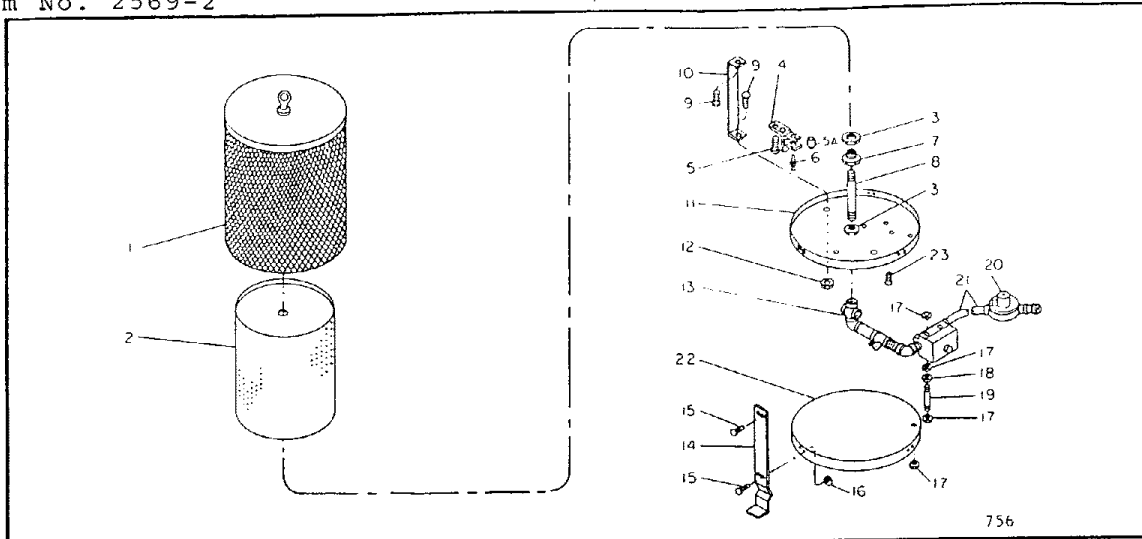
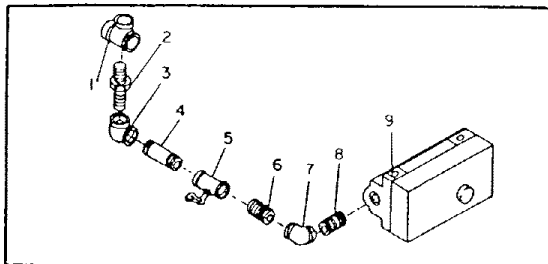


RADIANT TYPE PORTABLE HEATER MODELS SAL-130A and SAL-130CA  
 Spec. No. 2983G1-2 & 3073G01 Spec. No. 2983G2 & 2983G02  
 Form No. 2569-2



Index No.	Part Number	Part Name	Qty
5-1	M18805-1A	Outer Wrapper	1
2	M18796-1	Combustion Chamber	1
3	M20352	Locknut	2
4	M20357-1A	Bracket Assy, Thermocouple	1
	M20365-1	Bracket Assembly, Thermocouple (U/W P. N. 18803)	1
5	M11084-38	Screw, Hex Hd., No. 18-15 x 3/8, Type A	2
5A	M20361	Clip Retaining	1
6	M20360	Thermocouple	1
	M18803	Thermocouple (Alternate)	1
7	M18788A	Bushing, Reducing	1
8	M18787A	Nipple, Pipe	1
9	M12461-51	*Screw, Hex Hd., Slotted No. 10-24 x 1/2	6
10	M18795A	Support, Chamber	3
11	M20353A	Base, Upper	1
12	NTC-3	Nut, Torque-Lock No. 10-24	3
13	M20354-1A	Valve & Nozzle Assembly (See figure 4)	1
14	M18785A	Leg	4
15	M12461-52	*Screw, Hex Hd., No. 10-24 x 5/8	16
16	NTC-3	Nut, Torque-Lock, No. 10-24	16
17	NPC-3C	Nut, Torque-Lock, No. 10-24	4
18	WP-3C	*Washer	2
19	M20364	Stud, 10-32 x 4	1
20	M17507-1	Regulator Assembly, Gas	1
	M17489	Regulator	1
	M19328	Valve, Excess Flow	1
21	M19837-1	Hose Assembly, Gas (Model SAL-130A)	1
	M20468	Hose Assembly, Gas (Model SAL-130CA)	1
22	M20805A	Base, Lower	1
	M18196	Decal, Nameplate (SAL-130A)	1
	M20362	Nameplate (SAL-130CA)	1
	57305	Rivet (SAL-130CA)	4
	M18814	Decal, Caution	1
	M21668	Decal, Model Data	1
23	M12461-27	*Screw, Hex Hd., Slotted 10-32 x 1/2	3
	M20787	Kit, Nozzle (Model SAL-130CA)	1

\*Standard Hardware obtainable locally



Index No.	Part Number	Part Name	Qty
4-1	M20370	Tee, Nozzle Adaptor	1
2	M20356	Nozzle	1
3	M19219	Elbow, Reducing, 90°, 3/8 x 1/4 in.	2
4	M9837-2	Nipple, Pipe, 3/8 x 2-1/2 in.	1
5	M19213	Valve, Shutoff	1
6	M10262	Nipple, Close, 3/8 in.	1
7	M19219	Elbow, Reducing 90°, 3/8 x 1/4	1
8	M17499-1	Nipple, Pipe, 1/4 x 1-1/2 in.	1
9	M18794	Valve, Control	1