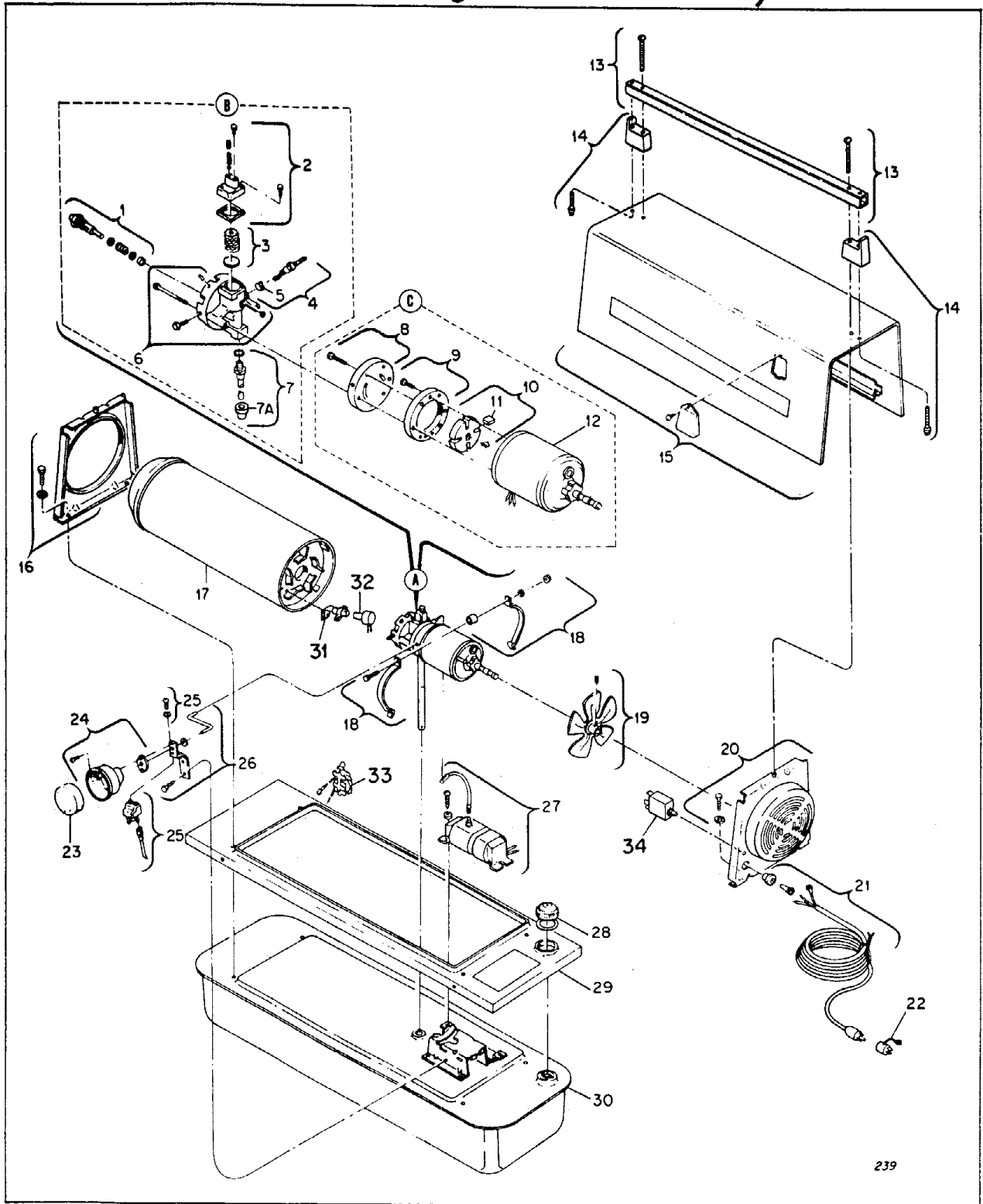


REDDY HEATER LOW PRESSURE  
MARK 50 AND MARK 50 DELUXE  
MARK 50 (64/65) FORM RH-1630  
MARK 50 (65/66)  
MARK 50 DELUXE (65/66) 9/65



# REDDY HEATER LOW PRESSURE Form RH-1630

MARK 50 AND MARK 50 DELUXE  
 MARK 50 (64/65)  
 MARK 50 (65/66)  
 MARK 50 DELUXE (65/66) 9/65

INDEX NO.	ASSEMBLY PART NO.	SUPERSEDES PART NO.	DESCRIPTION	MARK 50 (64/65)	MARK 50 (65/66)	MARK 50 DELUXE (65/66)
(A)	M11148G5	M11148G3	Motor Pump and Burner Head Assembly	x	x	x
(B)	M13262G2	M13262G1	Burner Head Assembly	x	x	x
1	M13251G1		Siphon Nozzle Assembly	x	x	x
2	M13252G1		Pressure Valve Assembly	x	x	x
3	M13253G1		Filter Element	x	x	x
4	M14836G1	M10962-1	Spark Plug and Retainer Assembly	x	x	x
5	M14525		Retainer, Electrode	x	x	x
6	M13254G1		Body, Burner Head	x	x	x
7	M13258G2	M13258G1	Fuel Filter Assembly	x	x	x
7A	M10990-1		Bushing	x	x	x
7A	M10990-3		Bushing	x		
(C)	M12429G1		Motor and Pump Assembly		x	x
8	M13255G1		End Cover, Pump Assembly	x	x	x
9	M13256G1		Body, Pump Assembly	x	x	x
10	M13257G1		Rotor, Spring and Blades	x	x	x
11	M13611G1		Carbon Vanes, Blade (4)	x	x	x
12	M11938		Motor	x	x	x
13	M13259G1		Handle	x	x	x
14	M13260G1		Handle Support Assembly	x	x	x
15	M13261G1		Housing Assembly	x	x	x
16	M13270G1		End Cap Assembly	x	x	x
17	M10979G2		Combustion Chamber Assembly	x	x	x
18	M13263G1		Motor Clamp Assembly	x	x	x
19	M12431-2		Fan Assembly	x	x	x
20	M13264G1		Fan Guard Assembly	x	x	x
21	M13265G2		Cord Assembly and Connector	x	x	x
21	M13265G3		Cord Assembly and Connector	x	x	
22	M9050		Adapter			x
23	M11446-1		Filter Element	x	x	x
24	M13269G1		Filter Assembly (less Filter Element)	x	x	x
25	M13268G1		Relay and Wire Assembly	x	x	x
25	M13268G2		Relay and Wire Assembly	x		
25	M13268G3		Relay and Wire Assembly		x	
26	M13287G1		Relay and Wire Assembly			x
27	M13266G1		Intake Tube Assembly w/Bracket	x	x	x
27	M13266G2		Transformer Assembly	x		
28	M11151		Transformer Assembly	x		
29	M12424		Cap		x	x
30	M12416G1		Skirt, Fuel Tank	x	x	x
31	M14806G1		Fuel Tank Assembly	x	x	x
32	M14804G1		Photocell Bracket Assembly	x	x	x
33	M14803G1		Photocell Assembly			x
34	M14805G1		Relay Assembly			x
			Circuit Breaker Assembly			x

