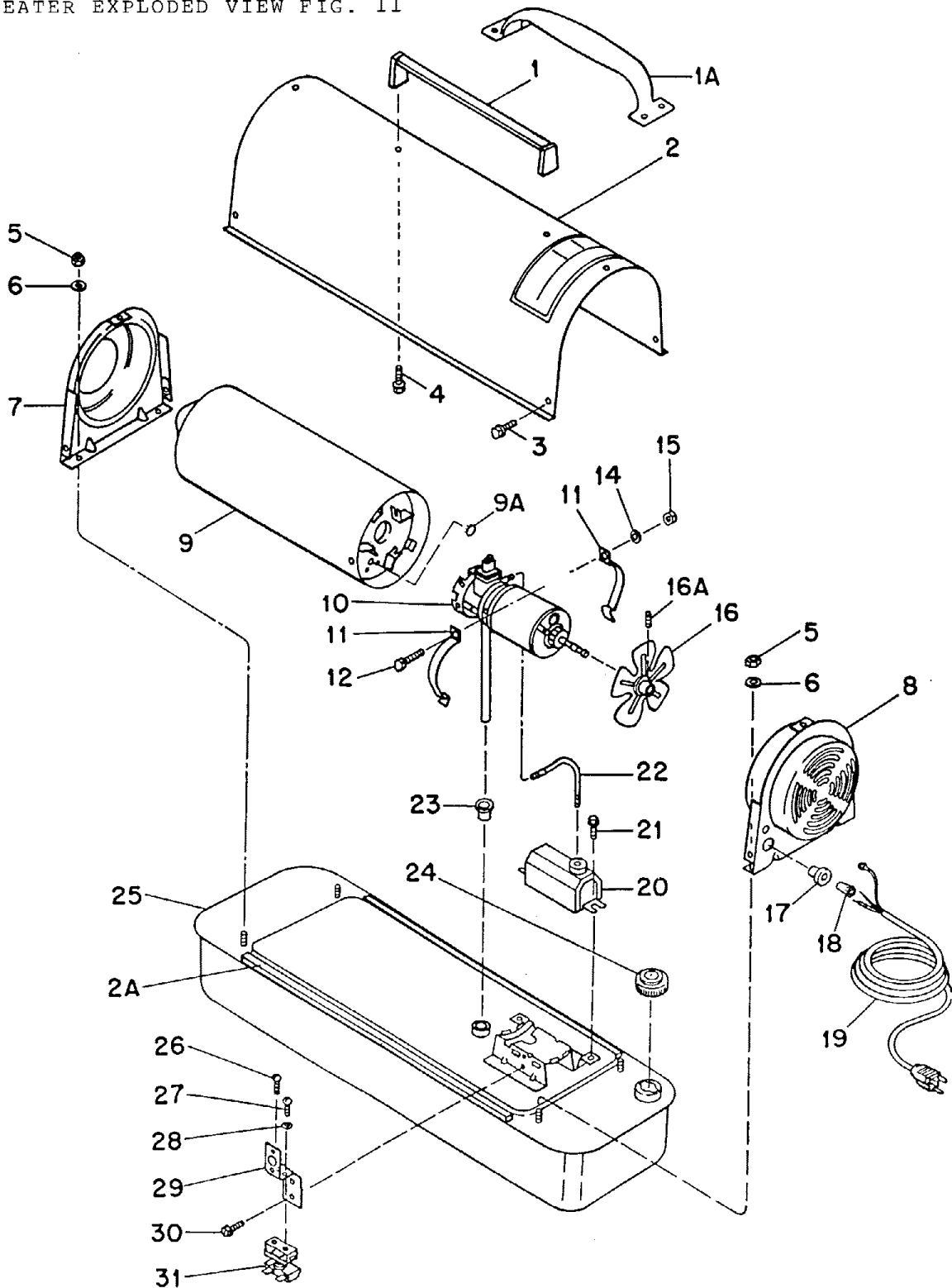


REDDY HEATER
LOW PRESSURE
FORM 2697-1 (6/71)

MINI FURNACE
SPEC 3067G01
SPEC 3121G01

HEATER EXPLODED VIEW FIG. 11



REDDY HEATER
 LOW PRESSURE
 FORM 2697-1
 (6/71)

MINI FURNACE
 SPEC 3067G01
 SPEC 3121G01

HEATER EXPLODED VIEW FIG. 11

| Index No. | Part Number | Part Name or Description | Quan. |
|-----------|-------------|---|-------|
| 1 | ●M21809 | Handle | 1 |
| 2 | M18281A | Housing, Heater | 1 |
| 2A | M18282 | Seal, Rubber | 2 |
| 3 | *M12461-62 | Screw, Hex hd., 1/4-20 x 3/8 in. | 6 |
| 4 | M12345-23 | Screw, Oval hd., 10-24 x 3/8 in. | 4 |
| - | NTC-3C | Nut, Torque hd., 10-24 | 4 |
| - | WP-3C | Washer, No. 10, Flat | 4 |
| 5 | *NPC-4C | Nut, Hex, 1/4-20 | 4 |
| 6 | *WLI-4C | Lockwasher, IT, 1/4 in. | 4 |
| 7 | M18273-1A | End Cap and Nose Cone | 1 |
| 8 | M18277-1A | Guard, Fan | 1 |
| 9 | M15770-3 | Combustion Chamber | 1 |
| 9A | M15995 | Plug Button | 1 |
| 10 | Ref. | Motor, Pump and Burner Assy (See figure 9) | Ref |
| 11 | M16661 | Clamp, Motor | 2 |
| 12 | *HC4-10C | Screw, Hex hd, 1/4-20 x 1-1/4 in. | 1 |
| 13 | | Not Used | |
| 14 | *WLM-4C | Lockwasher, 1/4 in. | 1 |
| 15 | *NPC-4C | Nut, Hex, 1/4-20 | 1 |
| 16 | ●M18280 | Fan, 16 pitch | 1 |
| 16A | *SFK-4-2 | Setscrew, Soc. hd, cup.pt. 1/4-28 x 1/4 in. | 2 |
| 17 | M11143-1 | Bushing Strain Relief | 1 |
| 18 | M13942-4 | Connector, Wire | 2 |

| Index No. | Part Number | Part Name or Description | Quan. |
|-----------|-------------|---------------------------------|-------|
| 19 | M10813-37 | Cord, Service (Extension) | 1 |
| 20 | M15063 | Transformer, 5000V | 1 |
| 21 | M15823-26 | Screw, Type B, 10-12 x 3/8 in. | 2 |
| 22 | ●M10816-15 | Lead, Electrode | 1 |
| 23 | M10990-3 | Bushing, Rubber | 1 |
| 24 | ●M11151-1 | Cap, Filler | 1 |
| 25 | M17016-1H | Fuel Tank | 1 |
| 26 | *RC2-2C | Screw, Round hd, 8-32 x 1/4 in. | 1 |
| 27 | *RC2-3C | Screw, Round hd, 8-32 x 3/8 in. | 1 |
| 28 | *WLI-2C | Lockwasher, IT, No. 8 | 1 |
| 29 | M17019 | Bracket, Relay | 1 |
| 30 | M11084-27 | Screw, Type A, 10-12 x 1/2 in. | 2 |
| 31 | M12462-10 | Relay | 1 |

MOTOR & PUMP ASSY

| Index No. | Part Number | Part Name or Description | Quan. |
|-----------|-------------|------------------------------------|-------|
| | M23131-1 | Motor, Pump and Burner Head Assy | 1 |
| (A) | M19113-1 | Burner Head Assy | 1 |
| 1 | M11054-1 | Nozzle, Siphon | 1 |
| 2 | M10659-1 | Washer Nozzle seal | 2 |
| 3 | M10809-1 | Spring, Nozzle seal | 1 |
| 4 | M8882 | Sleeve | 1 |
| 5 | M10837 | Plug, Socket thd | 1 |
| 6 | M10992-1 | Screw, Adjusting | 1 |
| 7 | M10993-1 | Spring, Pressure relief | 1 |
| 8 | M8940 | Ball | 1 |
| 9 | *M12461-54 | Screw, Hex hd, No. 10-24 x 7/8 in. | 2 |
| 10 | M12576 | Body, Valve | 1 |
| 11 | M12577 | Gasket | 1 |
| 12 | ●M15241-1 | Output Filter Element | 1 |
| 13 | ●M16895-1 | Spark Plug Assy | 1 |
| 14 | *M10908-38 | Screw, No. 12-24 x 3/8 in., Type S | 1 |
| 15 | M13849 | Nut, Flared | 1 |

| Index No. | Part Number | Part Name or Description | Quan. |
|-----------|-------------|--|-------|
| 16 | M16790 | Tube, Fuel Filter | 1 |
| 17 | ●M19630 | Filter, Fuel | 1 |
| 18 | M16791 | Connector, Male | 1 |
| 19 | ROP12-8 | Roll Pin | 4 |
| 20 | M19112 | Body, Burner Head | 1 |
| (B) | M23130-1 | Motor and Pump Assy | 1 |
| 21 | *FHPF3-8C | Screw, Fil. hd., No. 10-32 x 1/2 in. | 4 |
| 22 | M12430 | End cover pump | 1 |
| 23 | *FHPF3-4C | Screw Fil. hd., No. 10-32 x 1/2 in. | 2 |
| 24 | M8645 | Pump Body | 1 |
| 25 | M22456-1 | Pump Rotor | 1 |
| 26 | M22009 | Insert, Pump Rotor | 1 |
| 27 | M8643 | Blade | 1 |
| 28 | M17941 | Motor | 1 |
| 29 | M13372 | Seal (O-Ring) | 1 |
| 30 | *FHF3-20C | Screw, Fil. hd., No. 10-32 x 2-1/2 in. | 2 |

REDDY HEATER
 LOW PRESSURE
 FORM 2697-1

MINI FURNACE
 SPEC 3067 G 01
 SPEC 3121 G 01

MOTOR & PUMP ASSY

(6/71)

WIRING DIAGRAM

