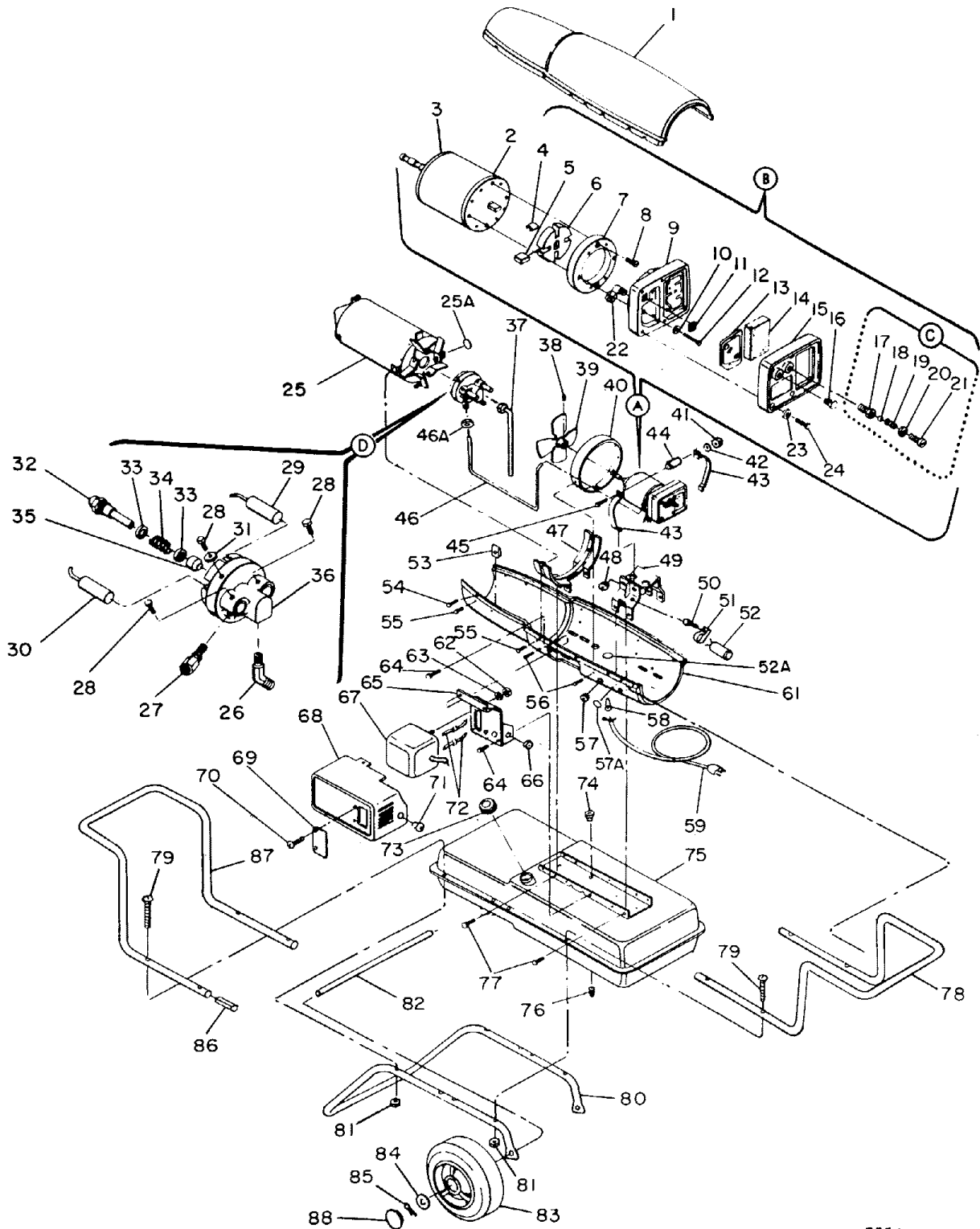


REDDY HEATER M120E SPEC 2827G8  
 LOW PRESSURE SPEC 2827G8-1  
 FORM 2039 (8/66)

HEATER, MOTOR & PUMP EXPLODED VIEW FIGURE 13.



REDDY HEATER M 120E SPEC 2827G8  
 LOW PRESSURE SPEC 2827G8-1  
 Form 2039 (8/66)

HEATER, MOTOR & PUMP EXPLODED VIEW FIGURE 13			Qty. per Spec. No.		HEATER, MOTOR & PUMP EXPLODED VIEW FIGURE 13			Qty. per Spec. No.	
Index No.	Part Number	Part Name	2827G8	2827G8-1	Index No.	Part Number	Part Name	2827G8	2827G8-1
1	M13520G1	Shell, Upper	1	-	37	M14259G1	Fuel Filter	1	1
	M13520G3	Shell, Upper	-	1	38	No Number	Setscrew, Socket hd, cup pt, 1/4-28	2	2
(A)	*M12864G2	Motor Package Assy	1	1	39	*M13038	Fan, 14" pitch	1	1
2	M12811-2	Motor, 220 volts, 50 cycles	1	1	40	M12830	Fan Housing	1	1
3	M8947	End Shield, front	1	1	41	NPC-4C	Nut	2	2
(B)	M15442G1	<u>Pump and Filter Parts</u> <u>Package</u>	1	1	42	WLM-4	Lockwasher, 1/4 in.	2	2
4	M11966-5	. Spring	1	1	43	M10964-1	Clamp, Motor	4	4
5	M8643-3	. Blade	4	4	44	M13620	Spacer	2	2
6	M11969	. Rotor	1	1	45	HC4-10C	Screw, 1/4-20 x 1-1/4	2	2
7	M8645-3	Pump Body	1	1	46	M14245	Air Line	1	-
8	FHPPF3-7C	. Screw, Fil hd, 10-32 x 1/2 in.	2	2	46A	M15970	Air Line	-	1
9	M12233	. End Cover, Pump	1	1	47	1000577	Grommet	-	1
10	WLI-3	. Washer	6	6	48	M12828	Bracket, Shell Support	1	1
11	*M11637	. Filter, Lint	1	1	49	1000577	Grommet	2	2
12	M12461-34	. Screw, Hex hd, 10-32 x 1-1/2 in.	6	6	50	M12829	Bracket, Motor Support	1	1
13	*M12244G1	. Filter Assy	1	1	51	M10908-51	Screw, 10-24 x 1/2, Type S	1	1
14	*M12179	. Intake Filter	1	1	52	M12651	Clamp, Tinnerman	1	1
15	M12234	. End Cover	1	1	52A	M12650-3	Capacitor	1	1
16	M10837	. Pipe Plug	1	1	53	M15809	Plug	1	1
(C)	M8943G2	. <u>Pressure Relief Valve Assy</u>	1	1	54	M11271-6	Nut, Tinnerman	6	6
17	M10362	.. Connector	1	1	55	M11084-27	Screw, 10-12 x 1/2 in., Type A	6	6
18	M8940	.. Ball, 1/4 dia	1	1	56	M11084-27	Screw, 10-12 x 1/2 in., Type A	8	8
19	M8941	.. Spring, Compression	1	1	57	M11084-29	Screw, 10-12 x 3/4 in., Type A	4	4
20	M8993	.. Hex Nut, 3/8-24	1	1	57A	M5890	Grommet	1	-
21	M11941	.. Bushing, Pressure adjustment	1	1	58	M6756	Plug Button	-	1
22	M12865	. Male Elbow	1	1	59	M13942-4	Connector	2	2
23	WLI-3	. Lockwasher, Internal #10	4	-	59	M15779G2	Extension Cord Assy	1	-
24	M12461-31	. Screw, Hex hd, 10-32 x 1 in.	4	4	59	M15779G7	Extension Cord Assy	-	1
25	M12934G1	Combustion Chamber	1	1	60	M15823-26	Screw, Grounding No. 10-12 x 3/8, Type "B"	-	1
25A	M15995	Plug Button	1	1	61	M12826	Shell, Lower	1	-
(D)	*M12947G3	<u>Burner Assy</u>	1	1	61	M15810	Shell, Lower	-	1
26	M14256	. Elbow	1	1	62	NTC-4C	Nut, Hex 1/4-20, Torque Lock	2	2
27	M12949	. Connector	1	1	63	WPC-4C	Washer, 1/4 in.	2	2
28	HF3-3C	. Screw, 10-32 x 3/8 in.	3	3	64	M11084-27	Screw, 10-12 x 1/2, Type A	4	-
29	M12952	. Electrode RH	1	1	65	M12841G1	Mounting Bracket	1	-
30	M12951	. Electrode LH	1	1	66	M6087	Grommet	1	-
31	WP-3C	. Washer, Flat	1	1	67	M8434-3	Transformer (Note: When installing replacement, shorten leads as needed to fit inside cover.	1	-
32	M14293	. Nozzle, Siphon	1	1	67	M15804	Transformer	-	1
33	M10659-1	. Washer, Nozzle Seal	2	2	68	M14985G1	Cover, Transformer	1	-
34	M10809-1	. Spring, Nozzle Seal	1	1	69	M14986	Plate, Cover (CON'T)	1	-
35	M8882	. Sleeve	1	1					
36	M12948G1	. Burner Head	1	1					

# REDDY HEATER M120E SPEC 2827G8 LOW PRESSURE SPEC 2827G8-1 FORM 2039 (8/66)

(CON'T)

HEATER, MOTOR & PUMP EXPLODED VIEW FIGURE 13			Qty. per Spec. No.	
Index No.	Part Number	Part Name	2827G8	2827G8-1
70	FHF3-3C	Screw, Flt hd, 10-24 x 3/8 in.	4	-
71	M11143-1	Bushing, Strain Relief	1	-
71	M11954	Bushing, Strain Relief	-	2
72	M10816G20	Lead, Electrode	2	2
73	M3353	Cap, Fuel Tank	1	1
74	M14260	Bushing, Rubber	1	1
75	M12820G4	Fuel Tank	1	1
76	M13990	Plug	1	1
77	M11084-27	Screw, 10-12 x 1/2 in., Type A	8	8
78	M14243	Handle, Rear	1	1
79	M12345-33	Screw, Mach, oval hd, 10-24 x 1-3/4 in.	8	8
80	M12831	Frame, Support, wheel	1	1
81	NTC-3C	Nut, 10-24	8	8
82	M12867	Axle	1	1
83	M14830	Wheel	2	2
84	WP-8C	Washer	2	2
85	C4-7	Cotter Pin	2	2
86	M12336	Sleeve, Alignment	2	2
87	M14244	Handle, Front	2	2
88	M13502	Hub Cap	2	2

