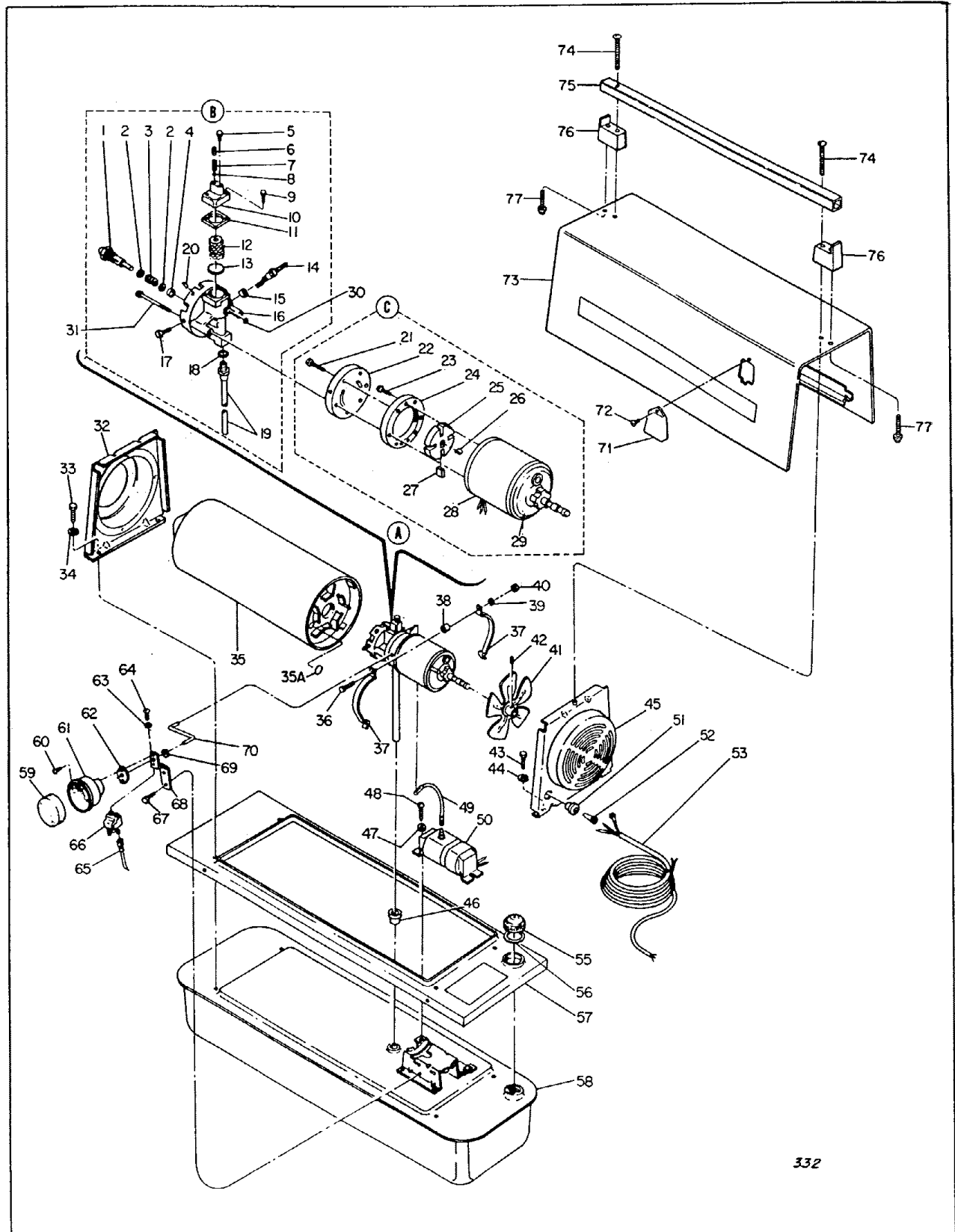


REDDY HEATER M50E SPEC 2810G2-2 LOW PRESSURE FORM 2031 (7/66)



REDDY HEATER M 50E SPEC 2810G2-2 LOW PRESSURE FORM 2031 (7/66)

Index No.	Part Number	Part Name	Quan.
A	M11148G6	<u>Motor, Pump and Burner Head Assembly</u>	1
B	M12428G3	<u>Burner Head Assembly</u>	1
1	M11054-1	. Nozzle, Siphon	1
2	M10659-1	. Washer, Nozzle seal	2
3	M10809-1	. Spring, Nozzle seal	1
4	M8882	. Sleeve	1
5	M10837	. Plug, Hex head	1
6	M10992-1	. Screw, Adjusting	1
7	M10993-1	. Spring, Pressure relief	1
8	M8940	. Ball, 1/4 dia	1
9	M12461-54	. Screw, Hex hd, No. 10-24 x 7/8	**2
10	M12576	. Body, Valve	1
11	M12577	. Gasket	1
12	*M9942G3	. Filter Element (output)	1
13	M12578	. Filter, Lint	1
14	*M10962-2	. Spark Plug	1
15	M14525	. Electrode Retainer	1
16	M12273	. Body, Burner head	1
17	M10908-38	. Screw, Self-tapping, hex hd No. 12-24 x 3/8, type "S"	**1
18	*M10718-1	. O-Ring	1
19	M14266G1	. Fuel Filter	1
20	ROP12-8	. Roll Pin, 3/16 x 1/2	**4
C	M12429G2	<u>Motor & Pump Assembly</u>	1
21	FHPF3-8C	. Screw, Fil. hd, No. 10-32 x 1	**4
22	M12430	. End Cover, Pump	1
23	FHPF3-4C	. Screw, Fil hd, No. 10-32 x 1/2	**2
24	M8645	. Body, Pump	1
25	M11959	. Rotor	1
26	M11966-5	. Spring	1
27	M8643	. Blade	4
28	M11938-2	. Motor	1
29	M8947	. End Shield, Motor front (Service only)	1
-	M8802-38	. Ball Bearing, Motor	1
-	M15776	. Rotor and Shaft Assy	1
-	M15778	. Shell and Stator, 220V, 50C	1
30	M13372	Seal	1

Index No.	Part Number	Part Name	Quan.
31	FHF3-20C	Screw, Fil hd, No. 10-32 x 2-1/2	**2
32	M15767G1	End Cap and Nose Cone Assy	1
33	M12461-64	Screw, Hex hd, 1/4-20 x 5/8	**2
34	WLI-4	Lockwasher, Int. Tooth, 1/4	**2
35	M15770	Combustion Chamber	1
35A	M15995	Plug Button	1
36	HC4-10C	Screw, Round hd, 1/4-20 x 1-1/4	**2
37	M10964-1	Clamp, Motor	4
38	M13620	Spacer	2
39	WLM-4C	Lockwasher, 1/4-inch	**2
40	NPC-4C	Nut, Hex, 1/4-20	**2
41	*M13514	Fan, 24° Pitch	1
42	SFK-4-2	. Setscrew, socket hd, cup pt. 1/4-28 x 1/4	**2
43	M12461-64	Screw, Hex hd, 1/4-20 x 5/8	**2
44	WLI-4C	Lockwasher, Int. tooth, 1/4 in.	**2
45	M12427G1	Guard, Fan	1
46	M10990-3	Bushing, Rubber	1
47	WP-3C	Washer, Plain, 3/8 in.	**2
48	M15823-26	Screw, Self-tapping, hex hd, No. 10-12 x 3/8, Type "B"	2
49	M10816G15	Lead, Electrode	1
50	M15064	Transformer	1
51	M11143-1	Bushing, Strain relief	1
52	M13942-4	Connector, Wire	2
53	M15779G1	Cord, Service (extension)	1
55	M11151-1	Cap, Filler neck	1
56	M14246	Seal, Rubber	1
57	M12424	Skirt, Tank	1
58	M12416G1	Tank, Fuel	1
59	*M11146-1	Element, Filter, intake	1
60	M12749-25	Screw, Fil hd, No. 10-24 x 1/2	**1
61	M14785	Body, Filter	1
62	M10257-2	Gasket, Intake Filter	1
63	WLI-2C	Lockwasher	2
64	RC2-2C	Screw, Round hd, No. 8-32 x 1/4	**2
65	M9900G37	Wire Assembly	1
66	M12462-3	Relay	1
67	M10908-51	Screw, Hex hd, Type "S" No. 10-24 x 1/2	**2
68	M12433	Bracket, Relay & filter	1
69	M13293	Grommet, Rubber	1
70	M12432	Tube, Air Intake	1
71	M12568	Cover, Filter	1
72	M10908-2	Screw, Hex hd, No. 6-32 x 3/8, Type "S"	**1
73	M12436G1	Housing, Heater	1
74	RPC4-18C	Screw, Rd hd, 1/4-20 x 2-1/4	**2
75	M12440	Handle	1
76	M12439	Support, Handle	1
77	M10908-58	Screw, Self-tapping, hex hd, No. 10-24 x 1-1/2, Type "S"	**2

