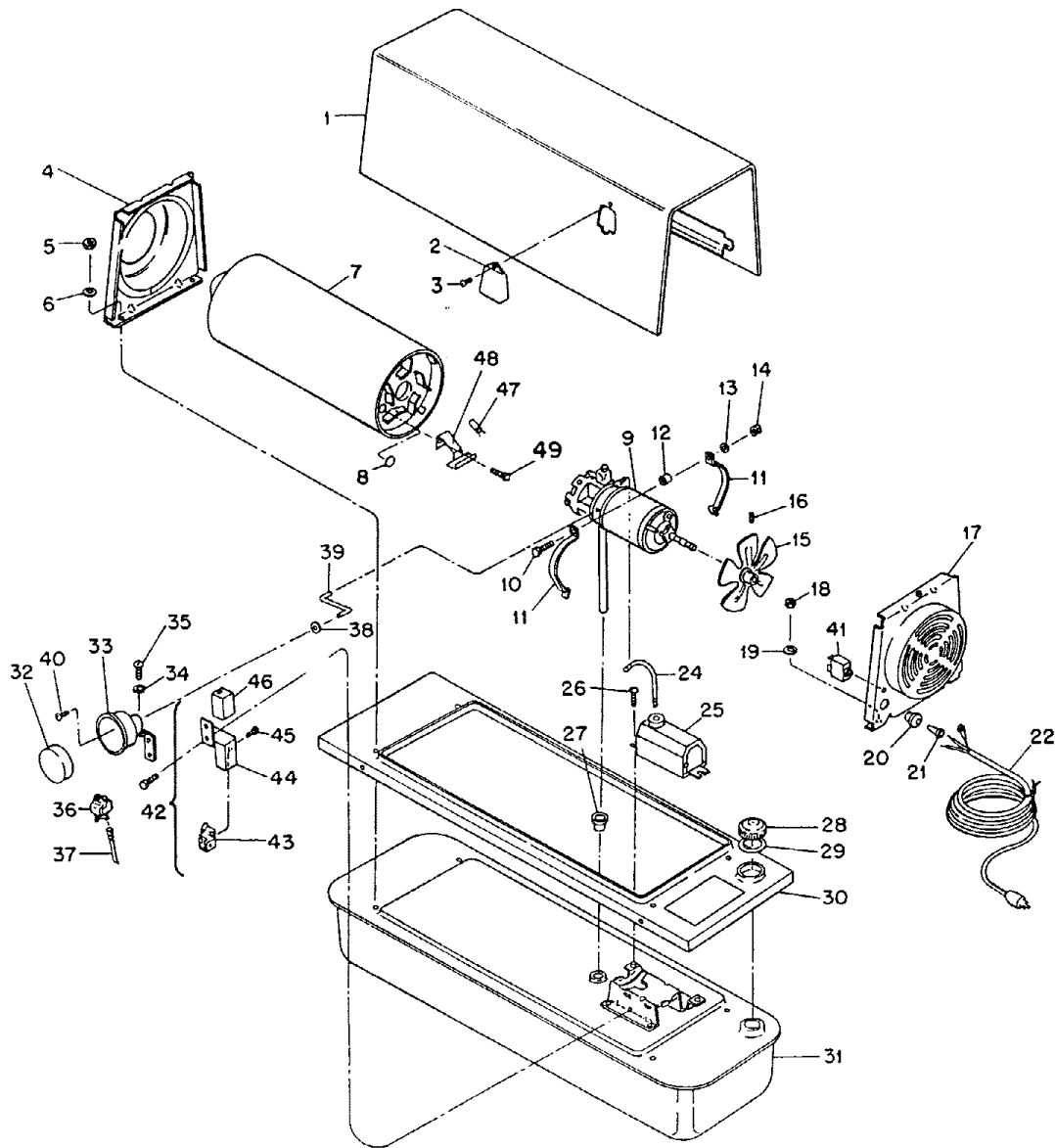
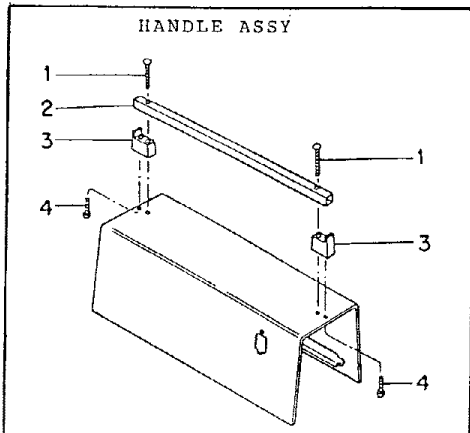


REDDY HEATER M-65 AND M-65D SPEC 3113G03 AND 3113G13 LOW PRESSURE FORM 2725 (5/71)

EXPLODED VIEW HEATER FIGURE 14



830



HANDLE ARRANGEMENT

Index No.	Part Number	Part Name	Notes	Quan.
1	*RPC4-18C	Screw, Rd hd., 1/4-20 x 2-1/4		2
2	M12440-2B	Handle	#	1
	M12440	Handle	¢	1
3	M12439L	Support, Handle		1
4	*M10908-58	Screw, Self-tapping, Hex hd., No. 10-24 x 1-1/2 in., Type "S"		2

REDDY HEATER M-65 AND M-65D SPEC 3113G 03 AND 3113G 13 LOW PRESSURE FORM 2725 (5/71)

PARTS LIST FOR BASIC HEATER ASSEMBLY

Index No.	Part Number	Part Name or Description	Notes	Quan.
14-1	M12436-1C	Housing, Heater		1
2	M12568C	Cover, Filter		1
3	*M10908-2	Screw, Hex hd, slotted No. 6-32 x 3/8 in., Type "S"		1
4	M15767-1C	End Cap and Nose Cone		1
5	*NPC-4C	Nut, Plain hex, 1/4-20		2
6	*WLI-4C	Lockwasher, Internal tooth, 1/4 in.		2
7	M15770-3	Combustion Chamber		1
8	M15995	Plug, Button	#	1
9	Ref	Motor Pump and Burner Head Assembly (See Figure 15)		1
10	*HC4-10C	Screw, Rd hd, 1/4-20 x 1-1/4 in.		2
11	M16661	Clamp, Motor		4
12		Not Used		
13	*WLM-4C	Lockwasher, 1/4 in.		2
14	*NPC-4C	Nut, Plain hex, 1/4-20		2
15	M23139	Fan		1
16	SFK4-2	Setscrew, Soc hd, cup pt, 1/4-28 x 1/4 in.		2
17	M12427-1C	Fan Guard Assy		1
18	*NPC-4C	Nut, Plain, Hex 1/4-20		2
19	*WLI-4C	Lockwasher, Internal tooth, 1/4 in.		2
20	M11143-1	Bushing, Strain relief		1
21	M13942-4	Connector (Wire Nut)		2
22	M10813-37	Cord, Service (Extension)	#	1
	M10813-38	Cord, Service (Extension)	¢	1
23		Not Used		
24	M10816G15	Lead, Electrode		1
25	M15063	Transformer		1

Index No.	Part Number	Part Name or Description	Notes	Quan.
26	*M15823-26	Screw, Hex hd No. 10-12 x 3/8 in., Type "B"		1
27	M10990-3	Bushing, Rubber		1
28	M11151-1	Cap, Fuel tank filler		1
30	M12424C	Skirt, Fuel tank		1
31	M10716-1B	Fuel Tank Assy		1
32	**M11146-1	Element, Intake air filter		1
33	M17018G1	Filter Body and Bracket Assy		1
-	M17019	Bracket, Filter		1
34	WLI-2C	Lockwasher, No. 8		2
35	*RC-2C	Screw, Rd hd., No. 8-32 x 1/4 in.		1
-	*RC2-3C	Screw, Rd hd., No. 8-32 x 3/8 in. (For ground wire)		1
36	M12462-5	Relay, Motor starting		1
37	M9900G37	Wire Assy (to Relay)		1
38	M13293	Grommet, Rubber		1
39	M12432	Tube, Air intake		1
40	*M11084-27	Screw, Self-tapping, Hex hd No. 10-12 x 1/2 in., Type "A"		2
41	M14360	Circuit Breaker	¢	1
42	M14379G2	Relay and Bracket Assy	¢	1
43	M14378-1	Relay Assy, Control	¢	1
44	M14370	Bracket, Relay	¢	1
45	M12461-2	Screw, Hex hd, No. 6-32 x 3/8 (Relay Mtg.)	¢	1
46	M14983	Dust Cover, Relay	¢	1
47	M16656-1	Photocell and Bushing Assy	¢	1
48	M16660	Bracket, Photocell	¢	1
49	*M10908-1	Screw, Self-tapping, hex hd No. 6-32 x 1/4 in. Type S	¢	1
	M9900G36	Wire Assy, Red	¢	1
	M13942-2	Connector, Wire	¢	1

PARTS LIST FOR MOTOR, PUMP AND BURNER HEAD ASSEMBLY

Index No.	Part Number	Part Name or Description	Quan.
	M19115-5	Motor, Pump and Burner Head Assy	1
(A)	M19113-2	Burner Head Assy	1
1	M13960	Nozzle, Siphon	1
2	M10659-1	Washer, Nozzle seal	2
3	M10809-1	Spring, Nozzle seal	1
4	M8882	Sleeve	1
5	M22997	Plug, Socket thd	1
6	M23105	Screw, Adjusting	1
7	M10993-1	Spring, Pressure relief	1
8	M8940	Ball	1
9	*M12461-54	Screw, Hex hd, No. 10-24 x 7/8 in.	2
10	M12576	Body Valve	1
11	M12577	Gasket	1
12	M15241	Output Filter Element	1
13	M16896G1	Spark Plug Assy	1
14	*M10908-38	Screw, No. 12-24 x 3/8 in., Type S	1
15	M13849	Nut, Flared	1

Index No.	Part Number	Part Name or Description	Quan.
16	M16790	Tube, Fuel Filter	1
17	M19630	Filter, Fuel	1
18	M16791	Connector, Male	1
19	ROP12-8	Roll Pin	4
20	M19112	Body, Burner Head	1
(B)	M19114-1	Motor and Pump Assy	1
21	*FHPF3-8C	Screw, Fil. hd., No. 10-32 x 1/2 in.	4
22	M12430	End cover pump	1
23	*FHPF3-4C	Screw, Fil. hd., No. 10-32 x 1/2 in.	2
24	M8645	Pump Body	1
25	M22456-1	Pump Rotor	1
26	M22009	Insert, Pump Rotor	1
27	M8643	Blade	1
28	M17941	Motor	1
29	M13372	Seal (O-Ring)	1
30	*FHF3-20C	Screw, Fil hd., No. 10-32 x 2-1/2 in.	2

REDDY HEATER M-65 AND M-65D SPEC 3113G03 AND 3113G13 LOW PRESSURE FORM 2725 (5/71)

