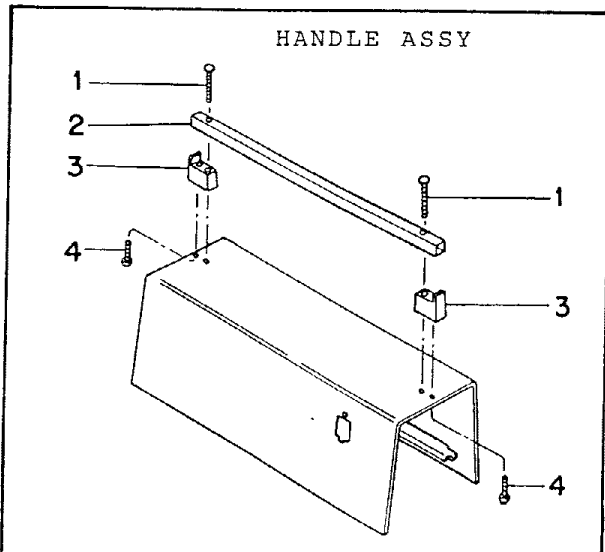
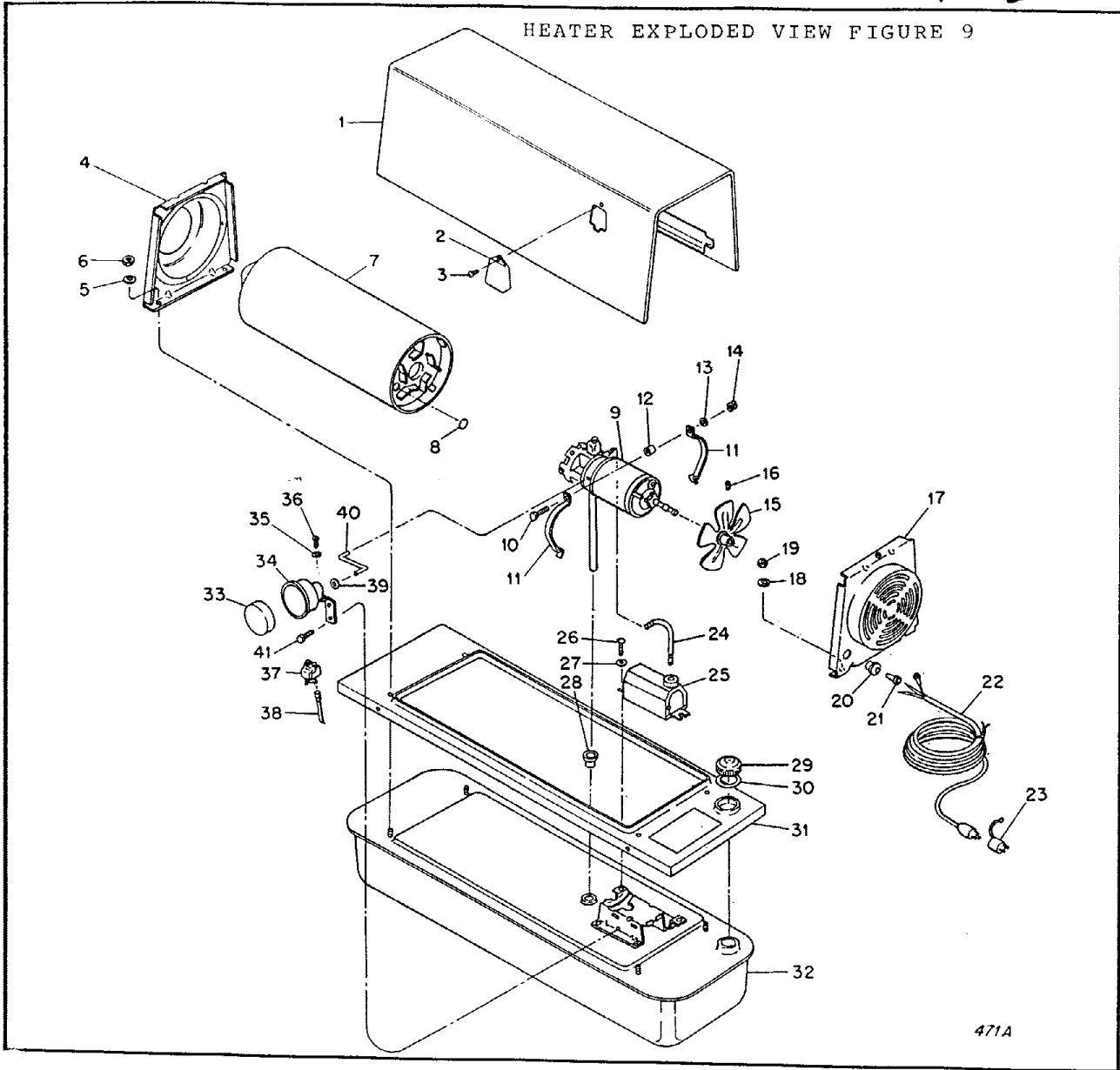


REDDY HEATER M-65E SPEC 3113G10 LOW PRESSURE FORM 2721 (5/71)



HANDLE ARRANGEMENT

Index No.	Part Number	Part Name	Quan.
1	*RPC4-18C	Screw, Rd. hd., 1/4-20 x 2-1/4	2
2	M12440-2	Handle (Square bar)	1
3	M12439C	Support, Handle	1
4	*M10908-58	Screw, Self-tapping, Hex hd., No. 10-24 x 1-1/2 in., Type "S"	2

REDDY HEATER M-65E SPEC 3113G10 LOW PRESSURE FORM 2721 (5/71)

HEATER EXPLODED VIEW FIGURE 9

Index No.	Part Number	Part Name or Description	Notes	Qty. Req'd.	Index No.	Part Number	Part Name or Description	Notes	Qty. Req'd.
1	M12436-1	Housing, Heater	@	1	26	M15823-26	Screw, Hex hd, No. 10-12 x 3/8 in., Type B	*	2
	M11271-6	Nut, Tinnerman		1	27		Not Used		
2	M12568C	Cover, Filter	@	1	28	M10990-3	Bushing, Rubber		1
3	M10908-2	Screw, Hex hd, slotted, No. 6-32 x 3/8 in., Type S	*	1	29	M11151-1	Cap, Fuel tank filler		1
4	M15767-1C	End Cap and Nose Cone	@	1	30		Not Used		
5	WLI-4C	Lockwasher, Internal tooth, 1/4 in.	*	2	31	M12424C	Skirt, Fuel tank	@	1
6	NPC-4C	Nut, Plain hex, 1/4-20	*	2	32	M10716-1B	Fuel Tank Assy	@	1
7	M15770G3	Combustion Chamber		1	33	M11146-1	Element, Intake air filter	**	1
8	M15995	Plug Button		1	34	M17018-1	Filter Body and Bracket Assy		1
9	(See Fig. 10)	Motor, Pump and Burner Head Assy		REF	35	WLI-2C	Lockwasher, No. 8	*	2
10	HC4-10C	Screw, Rd. Hd., 1/4-20 x 1-1/4 in.	*	2	36	RC2-2C	Screw, Rd. Hd., No. 8-32 x 1/4 in.		1
11	M16661	Clamp, Motor		4	36	RC2-3C	Screw, Rd. Hd., x 3/8 in. (for ground wire)	*	1
12		Not Used			37	M12462-3	Relay, Motor starting		1
13	WLM-4C	Lockwasher, 1/4 in.	*	2	38	M9900-37	Wire Assy (to Relay)		1
14	NPC-4C	Nut, Plain hex, 1/4-20	*	2	39	M13293	Grommet, Rubber		1
15	M23140	Fan, 24° Pitch	**	1	40	M12432	Tube, Air intake		1
16	SFK-4-2	Set screw, Soc. hd., cup pt., 1/4-28 x 1/4 in.		2	41	M11084-27	Screw, Self-tapping, Hex hd., No. 10-12 x 1/2 in., Type A		2
17	M12427-1C	Fan Guard	@	1		M12634	Decal, Wiring		1
18	WLI-4C	Lockwasher, Internal tooth, 1/4-in.	*	2		M18196	Decal, Mfg. by		1
19	NPC-4C	Nut, Plain hex, 1/4-20	*	2			TOUCH-UP PAINT		
20	M11143-1	Bushing, Strain relief		1		M13271	Paint, Aerosol Can (Medium Gray)		
21	M13942-4	Connector (Wire Nut)	*	2		M13386-7	Paint, Aerosol Can, (White)		
22	M15779-1	Cord, Service (Extension)		1		M13386-6	Paint, Aerosol Can, (Black)		
	69321-10S	Terminal		1					
24	M10816-15	Lead, Electrode		1					
25	M15064	Transformer, G-E		1					

MOTOR, PUMP AND BURNER HEAD ASSY

Index No.	Part Number	Part Name or Description	Notes	Qty. Req'd.	Index No.	Part Number	Part Name or Description	Notes	Qty. Req'd.
	M19115-6	Motor, Pump and Burner Head Assy		1	18	M16789-1	Filter Assy, Fuel		1
(A)	M22031-2	Burner Head Assy		1	19	M16791	Connector, Male		1
1	M13960	Nozzle, Siphon		1	19A	M13849	Nut, Flared		1
2	M10659-1	Washer, Nozzle seal		2	20	ROP12-8	Roll Pin		4
3	M10809-1	Spring, Nozzle seal		1	(B)	M19114-2	Motor and Pump Assy		1
4	M8882	Sleeve		1	21	FHPF3-8C	Screw, Fil. hd., No. 10-32 x 1 in.	*	4
5	M22997	Plug, Hex hd		1	22	M12430	End Cover, Pump		1
6	M23105	Screw, Adjusting		1	23	FHPF3-4C	Screw, Fil. hd., No. 10-32 x 1/2 in.	*	2
7	M10993-1	Spring, Pressure relief		1	24	M8645	Body, Pump		1
8	M8940	Ball		1	25	M22456-1	Rotor, Pump		1
9	M12461-54	Screw, Hex hd., No. 10-24 x 7/8 in.	*	2	26	M22009	Insert, Rotor		1
10	M12576	Body, Valve		1	27	M8643	Blade		4
11	M12577	Gasket		1	28	M17941-2	Motor		1
12	M9942G3	Output Filter Element Assy		1	30	M13372	Seal (O-Ring)		1
13	M12578	Filter, Lint		1	31	FHF3-20C	Screw, Fil. hd., No. 10-32 x 2-1/2 in.	*	2
14	M16895-1	Spark Plug Assy		1					
16	M19112	Body, Burner Head		1					
17	M10908-38	Screw, No. 12-24 x 3/8 in., type S	*	1					

REDDY HEATER M-65E SPEC 3113G10 LOW PRESSURE FORM 2721 (5/71)

MOTOR, PUMP AND BURNER HEAD ASSY

