

PARTS LIST FOR BASIC HEATER ASSEMBLY

Index No.	Part Number	Part Name or Description	Notes	Quan.	Index No.	Part Number	Part Name or Description	Notes	Quan.
1	M12436-1B	Housing, Heater		1	35	*RC-2C	Screw, Rd hd., No. 8-32 x 1/4 in.		1
2	M12568B	Cover, Filter		1	-	*RC2-3C	Screw, Rd hd., No. 8-32 x 3/8 in. (For ground wire)		1
3	*M10908-2	Screw, Hex hd, slotted No. 6-32 x 3/8 in., Type "S"		1	36	M12462-5	Relay, Motor starting		1
4	M15767-1B	End Cap and Nose Cone		1	37	M9900-37	Wire Assy (to Relay)		1
5	*NPC-4C	Nut, Plain hex, 1/4-20		2	38	M13293	Grommet, Rubber		1
6	*WLI-4C	Lockwasher, Internal tooth, 1/4 in.		2	39	M12432	Tube, Air intake		1
7	M15770-3	Combustion Chamber		1	40	*M11084-27	Screw, Self-tapping, Hex hd No. 10-12 x 1/2 in., Type "A"		1
8	M15995	Plug, Button	#	1	41	M14360	Circuit Breaker	¢	1
9	Ref.	Motor Pump and Burner Head Assembly (See Figure 15)		1	42	M14379-2	Relay and Bracket Assy	¢	NA
10	*HC4-10C	Screw, Rd hd, 1/4-20 x 1-1/4 in.		2	43	M14378-1	Relay Assy, Control	¢	1
11	M16661	Clamp, Motor		4	44	M14370	Bracket, Relay	¢	1
12		Not Used			45	M12461-2	Screw, Hex hd, No. 6-32 x 3/8 (Relay Mtg.)	¢	1
13	*WLM-4C	Lockwasher, 1/4 in.		2	46	M14983	Dust Cover, Relay	¢	1
14	*NPC-4C	Nut, Plain hex, 1/4-20		2	47	M16656-1	Photocell and Bushing Assy	¢	1
15	M20517	Fan		1	48	M16660	Bracket, Photocell	¢	1
16	SFK4-2	Setscrew, Soc hd, cup pt, 1/4-28 x 1/4 in.		2	49	*M10908-1	Screw, Self-tapping, hex hd No. 6-32 x 1/4 in., Type S	¢	1
17	M12427-1B	Fan Guard Assy		1		M9900-36	Wire Assy, Red	¢	1
18	*NPC-4C	Nut, Plain, Hex 1/4-20		2		M9900-37	Wire Assy, Black		1
19	*WLI-4C	Lockwasher, Internal tooth, 1/4 in.		2		M13942-2	Connector, Wire	¢	1
20	M11143-1	Bushing, Strain relief		1		M13942-4	Connector, Wire		2
21	M13942-4	Connector (Wire Nut)		2			TOUCH-UP PAINT		
22	M10813-37	Cord, Service (Extension) #		1		M23353-5	Touch-up Paint, Aerosol Can, Green		
23	M10813-38	Cord, Service (Extension) ¢		1		M23353-6	Touch-up Paint, Aerosol Can, Yellow		
24	M10816-15	Lead, Electrode		1		M23353-10	Touch-up Paint, Aerosol Can, Black		
25	M15063	Transformer		1			DECALS		
26	*M15823-26	Screw, Hex hd No. 10-12 x 3/8 in., Type "B"		2		M14365	Decal, Wiring	¢	1
27	M10990-3	Bushing, Rubber		1		M12634	Decal, Wiring	#	1
28	M11151-1	Cap, Fuel tank filler		1		M17081	Decal, Atomaster		1
30	M1242A	Skirt, Fuel tank		1		M17071	Decal, Trade name		1
31	M17016-1A	Fuel Tank Assy		1		M18196	Decal, Mfg By		1
32	*M11146-1	Element, Intake air filter		1		M22743	Decal, Warning		1
33	M17018-1	Filter Body and Bracket Assy		1		M22898	Decal, NP		1
34	WLI-2C	Lockwasher, No. 8		2		M16749	Decal	¢	1

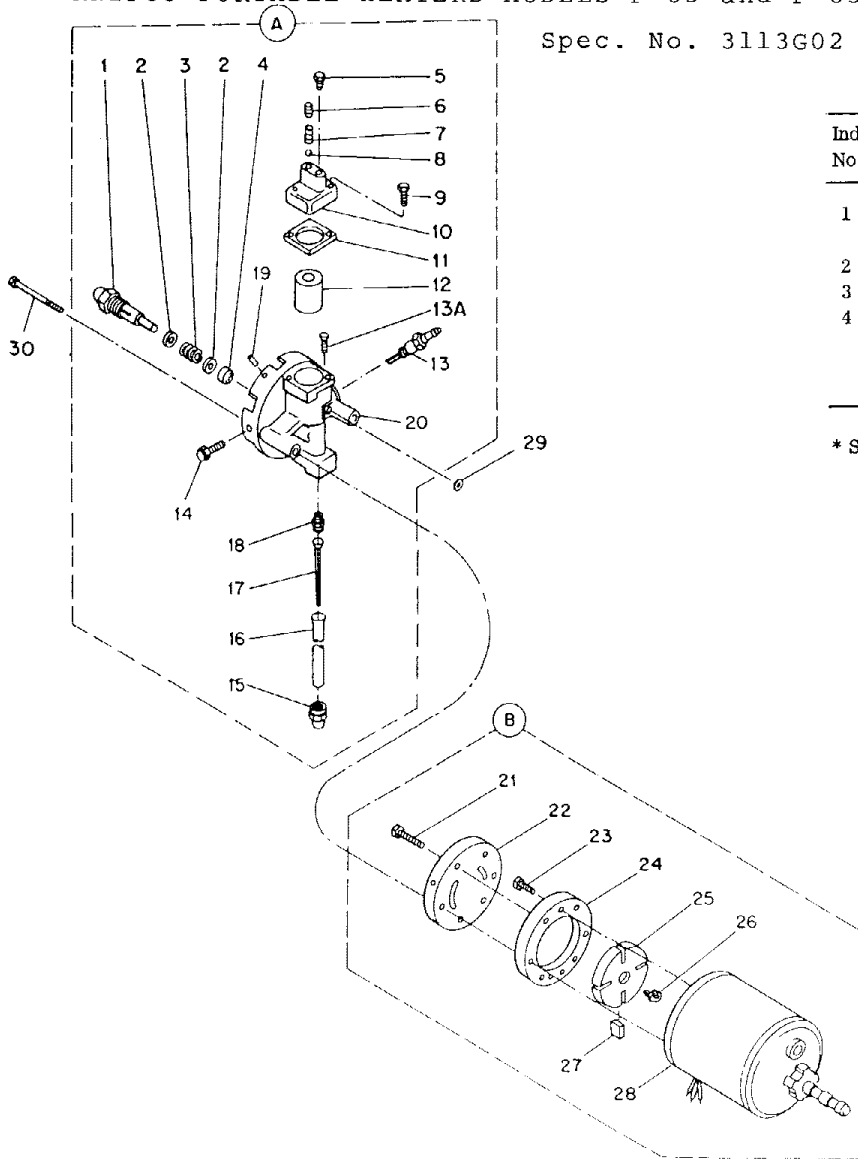
* Standard Hardware - Procure Locally. NA - Not available as an assembly, order individual parts.

Standard Models Only.

¢ Deluxe Models Only.

KNIPCO PORTABLE HEATERS MODELS F-65 and F-65D

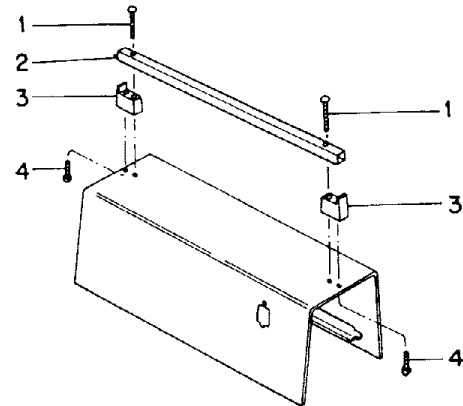
Spec. No. 3113G02 and 3113G19 Form No. 2738-1 (4/72)



HANDLE ARRANGEMENT

Index No.	Part Number	Part Name or Description	Notes	Quan.
1	*RPC4-18C	Screw, Rd. hd., 1/4-20 x 2-1/4		2
2	M12240-2A	Handle (Square bar)		1
3	M12439L	Support, Handle		1
4	*M10908-58	Screw, Self-tapping, Hex hd., No. 10-24 x 1-1/2 in., Type "S"		2

* Standard hardware - Obtainable locally.



PARTS LIST FOR MOTOR, PUMP AND BURNER HEAD ASSEMBLY

Index No.	Part Number	Part Name or Description	Quan.	Index No.	Part Number	Part Name or Description	Quan.
	M19115-5	Motor, Pump and Burner Head Assy	1	15	M13849	Nut, Flared	1
(A)	M19113-2	Burner Head Assy	1	16	M16790	Tube, Fuel Filter	1
1	M13960	Nozzle, Siphon	1	17	M19630	Filter, Fuel	1
2	M10659-1	Washer, Nozzle seal	2	18	M16791	Connector, Male	1
3	M10809-1	Spring, Nozzle seal	1	19	ROP12-8	Roll Pin	4
4	M8882	Sleeve	1	20	M19112	Body, Burner Head	1
5	M22997	Plug, Socket thd	1	(B)	M19114-1	Motor and Pump Assy	1
6	M23105	Screw, Adjusting	1	21	*FHFP3-8C	Screw, Fil. hd., No. 10-32 x 1/2 in.	4
7	M10993-1	Spring, Pressure relief	1	22	M12430	End cover pump	1
8	M8940	Ball	1	23	*FHFP3-4C	Screw, Fil. hd., No. 10-32 x 1/2 in.	2
9	*M12461-54	Screw, Hex hd, No. 10-24 x 7/8 in.	2	24	M8645	Pump Body	1
10	M12576	Body Valve	1	25	M22456-1	Pump Rotor	1
11	M12577	Gasket	1	26	M22009	Insert, Pump Rotor	1
12	M15241	Output Filter Element	1	27	M8643	Blade	1
13	M16895-1	Spark Plug Assy	1	28	M17941	Motor	1
13A	RC2-4	Screw, Rd hd No. 8-32 x 1/2	1	29	M13372	Seal (O-Ring)	1
14	*M10908-38	Screw, No. 12-24 x 3/8 in., Type S	1	30	*FHFP3-20C	Screw, Fil. hd., No. 10-32 x 2-1/2 in.	2

*Standard hardware - Obtain locally.