

Figure 4. Portable Heater - Exploded View

Figure & Index No.	Part Number	Part Name	Model F-85E
Model F-85E Portable Heater			
4-1	M8634	Fuel Tank	1
4-2	M3353	Cap, Fuel Tank	1
4-3	ST 14-4	Screw, Round Head	4
4-4	1000576	Grommet	1
4-5	M8796	Fuel Filter	1
4-6	STP3-4	Screw, Self Tapping	2
4-7	M8890	Drain Plug	1
4-8	M8635	Cover	1
4-9	ST-2-3B	Screw, Self Tapping	4
4-10	WP4	Washer, Flat	4
4-11	M8637	Shell, Outer	1
4-12	1000576	Grommet	2
4-13	M3530	Grommet	1
4-14	M9127	Nut, Tinnerman	2
4-15	M8626	Combustion Chamber	1
4-17	M8789	Burner Assembly	1
4-18	M9844	. Body, Burner	1
4-19	M8667	. Nozzle	1
4-20	69251	. Elbow, 90°	1
4-21	M8994	. Plug, Pipe	1
4-22	M8882	. Sleeve	1
4-23	M8958	. Nut, Gland	1
4-24	M8989	. Electrode, Left Hand	1
4-24	M8990	. Electrode, Right Hand	1
4-25	M9788	. Bushing	2
4-26	69249	. Connector	1
4-27	ROP12-8	. Pin, Roll	2
4-28	RF3-3C	. Screw, Round Head	3
4-29	M8685	Fuel Line Assembly (Filter to Burner)	1
4-30	M8628	Cowl	1
4-31	ST2-3B	Screw	2
4-32	WLI-2	Lock Washer	2
4-33	M8633	Door, Access	1
4-34	ST-2-4	Screw, Round Head	2
4-35	WLI-2	Lock Washer	2
4-36	M9797	Motor, Grille, Fan, Pump and Filter Assembly	1
4-37	M9923	. Motor and Pump Assembly	1
4-38	M9922	. Motor and Pump Body Assembly	1
4-39	M9981	. Pump Parts Package	1
4-40	M8644	. Rotor	1
4-42	M8646	. Cover, End	1
4-43	M8643	. Blades, Carbon	4
4-44	M8877	. Pin, Rotor	1
4-45	FHPF-3-12	. Screw, Fillister Hd	4
4-46	M3962	. Washer, Lock	6
4-47	M8769	Cleaner, Air	1
4-47A	M9191	. Filter Cover	1
4-48	M5292	. Gasket	1
4-49	M9791	. Filter, Output Assembly	1
4-50	M9716	. Block	1
4-51	M9768	. Thumb Screw	1
4-51A	M9767	. Bowl	1
4-52	M9766	. Filter (Felt)	1
4-52A	M8784	. Gasket	1
4-53	M9769	. Gasket	1
4-53A	M9770	. Washer	1
4-54	FHPF-3-14	. Screw, Fillister Hd	2
4-55	M8943	. Valve, Pressure relief	1
4-56	M8992	. Cap, Seal	1

Figure & Index No.	Part Number	Part Name	Model F-85E
<b>Model F-85E Portable Heater</b>			
4-57	M9131	Plug	1
4-58	M9132	Elbow, 90°	1
4-59	M8948-1	Grille Assembly	1
4-59A	M5233	Nut, Speed	4
4-59B	M9949	Grille	1
4-60	RC2-3	Screw, Round head	4
4-61	WLE-2	Lock Washer	4
4-62	ST3-4B	Screw, Round head	4
4-63	M9182	Assembly Grille Support	1
4-63A	RC3-10	Screw, Round Hd	1
4-63B	M5233	Speed Nut	1
4-63C	M9948	Ring, Grille Support	1
4-64	M9726	Fan	1
4-65	M9725	Relay	1
4-66	STI-3B	Screw, Self Tapping	2
4-67	M8886	Nut, Tinnerman	2
4-68	M9946-1	Lead, Starting relay to line	1
4-69	M8208-4	Tubing, Polyform No. 8	3
4-70	M8434-3	Transformer	1
4-71	NPC-4	Nut, Hexagon	2
4-72	WLM-4	Washer, Lock	2
4-73	M8977	Lead, Electrode	2
4-74	M8949	Strain Relief	2
4-75	M6916	Bushing	3
4-76	69321-61	Connector	2
4-77	M9795	Cord, Extension	1
4-77	M9907	Cord, Extension	-
4-78	69321-10	Terminal, Ground	1
4-79	M8921	Leg, Front	1
4-80	M8704	Plug Button	2
4-81	RF3-8C	Screw, Round head	8
4-82	NLF-3	Nut, Hexagon	2
4-84	M9952	Air Line	1
4-85	M8849	Element, Filter	1
4-86	C4-8	Pin, Cotter	2
4-87	WP-8	Washer	2
4-88	M9146	Axle	1
4-89	M3976	Wheel	2
4-90	ST 3-1/2-8	Screw	4
4-91	M8889	Brace Assembly	1
4-92	M9329	Leg, Rear	1
	M8603	Decal, Filter	1
	M8987	Decal, Fuel tank drain	1
	M8953	Plate, Operating Instructions	1
	M8986	Decal, Wiring Diagram	1
	M9082	Nameplate, Knipco	1
	M9806	Decal, Knipco	1
	M9044	Thermostat Kit (optional equipment)	1
	M9816	Decal, Caution	1

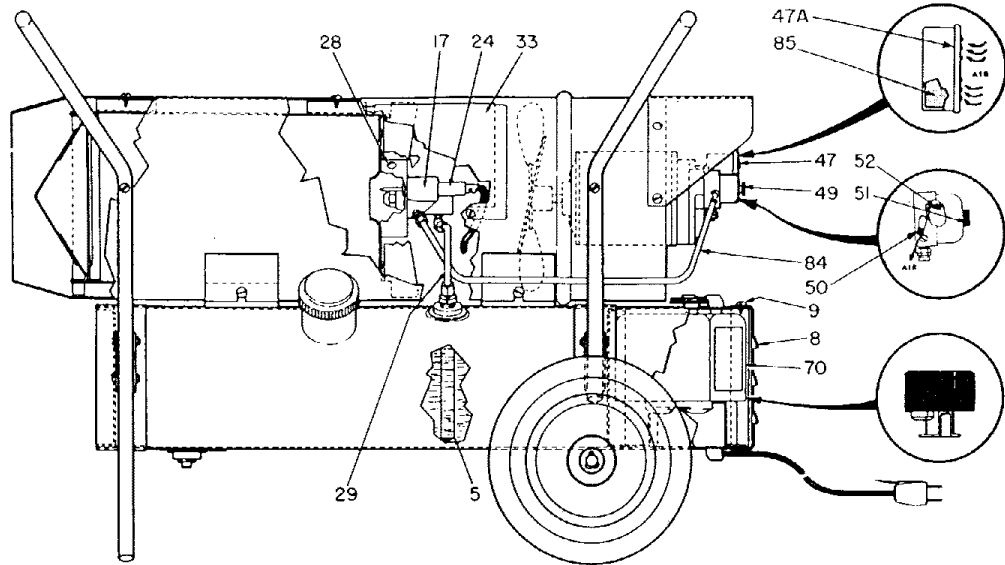


Figure 3. Portable Heater - Side View

Figure & Index No.	Part Number	Part Name	Model F-85E
3-5	M8796	Fuel Filter	1
3-8	M8635	Cover	1
3-9	ST-2-3B	Screw	4
3-17	M8789	Burner Assembly	1
3-24	M8990	Electrode, RH	1
3-24	M8989	Electrode, LH	1
3-28	RF3-3C	Round Head Screw	3
3-29	M8685	Fuel Line	1
3-33	M8633	Access Door	1
3-47	M8769	Air Cleaner	1
3-47A	M9191	Filter Cover	1
3-49	M9791	Air Output Filter	1
3-50	M9716	Block (Housing)	1
3-51	M9768	Thumb Screw	1
3-52	M9766	Felt Filter	2
3-70	M8434-3	Transformer	1
3-84	M9952	Air Line	1
3-85	M8849	Filter Element	1

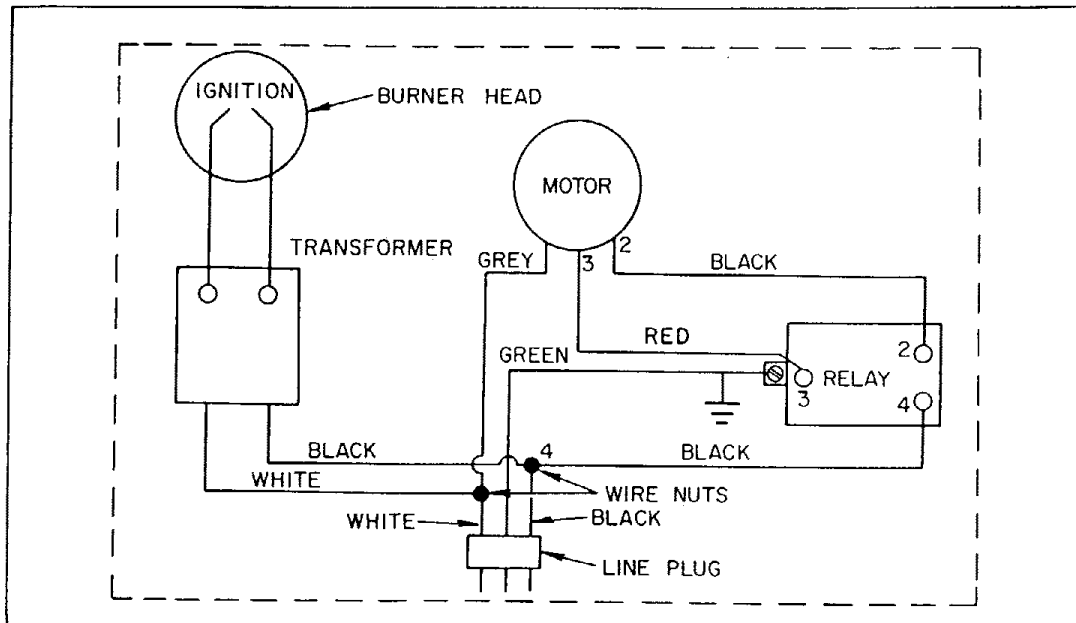


Figure 2. Wiring Diagram