

KNIPCO PORTABLE HEATERS  
 MODELS F-320 and F-320C

Form No. 84B,  
 Part No. M4154-3 (10-1-59)

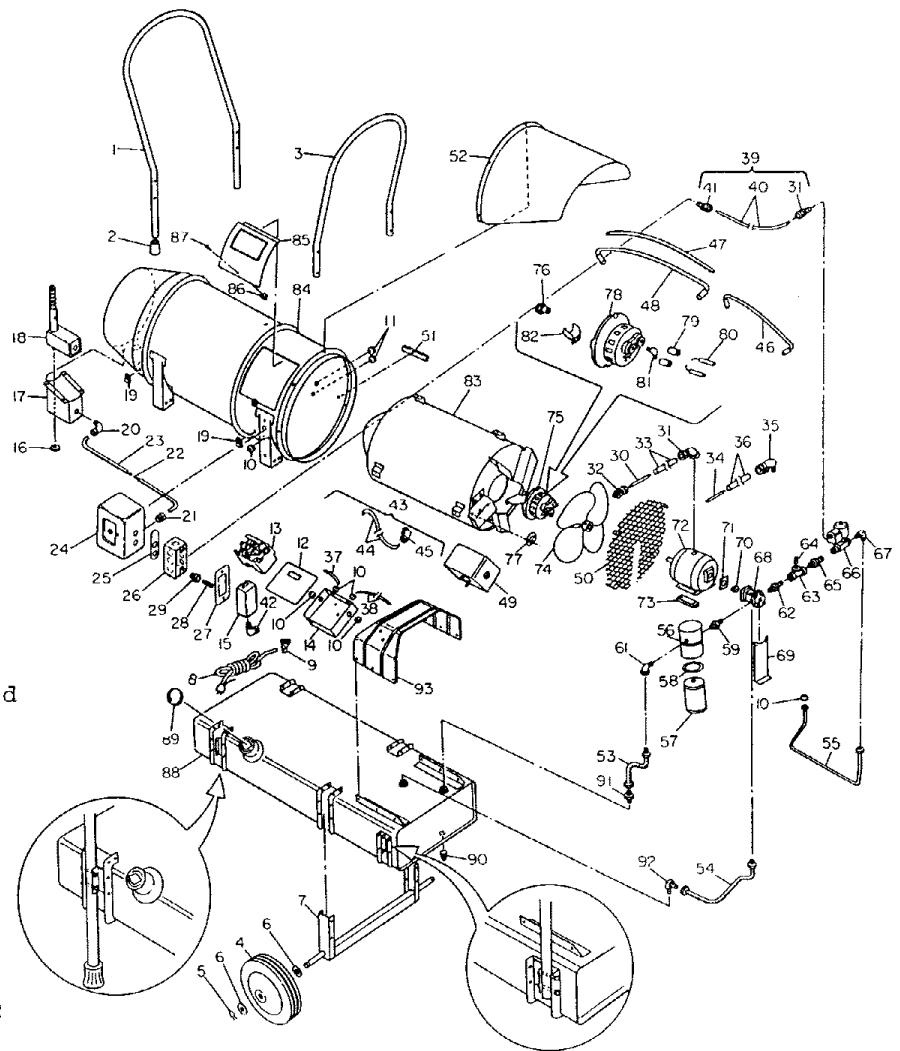


Figure 4. Exploded View of Portable Heater (Domestic and Canadian Models) (Using Sundstrand Pump)

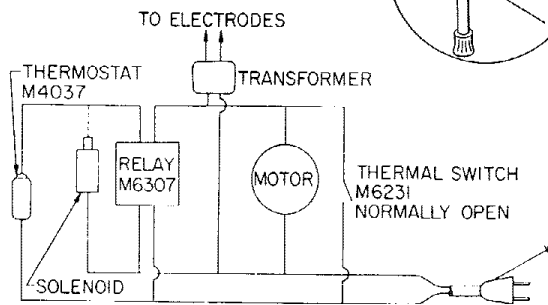


Figure 2. Wiring Diagram for Domestic Heater with Thermostat and Fan Shut Off Control

Key to Figure 3.

- RI- Main relay contacts to motor
- PC- Purge contacts to motor
- R2- Relay holding contacts
- CCC- Stack control contacts in cold position
- CCH- Stack control contacts in hot position

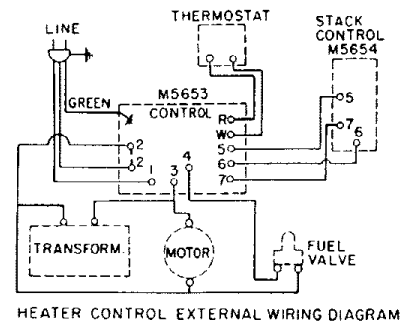
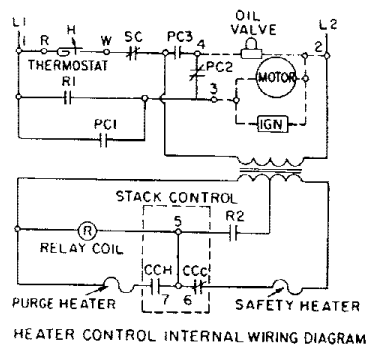


Figure 3. Wiring Diagrams for Thermostatically-Controlled Heater with Combustion Control

## KNIPCO PORTABLE HEATER MODELS F-320 and F-320-C

Form No. 84B, Part No. M4154-3 (10-1-59)

## PORTABLE HEATER REPAIR PARTS LIST

Figure & Index No.	Part Number	Part Name	Units Per Assembly	
			Domestic	Canadian
4-	M6297	Portable Heater Assy, Domestic	1	-
4-	M6804	Portable Heater Assy, Canadian	-	1
4-1	M4830	Front Handle	1	1
4-2	M4855	Rubber Tip	2	2
4-3	M5089	Rear Handle	1	1
4-4	M4858	Wheel	2	2
4-5	C5-10	Cotter Pin	2	2
4-6	WP-10	Washer	4	4
4-7	M6356	Axle Assy	1	1
4-8	M5164-1	Extension Cord	1	-
4-8	M3490	Extension Cord	-	1
4-9	1001349	Straight Connector	1	-
4-9	M5285	Straight Connector	-	1
4-10	M3530	7/8" Grommet	6	3
4-11	1000576	1/2" Grommet	2	2
4-12	M6306	Switch Box Cover	1	-
4-13	M6307	Switch, Relay	1	-
4-14	M6305	Switch Box	1	-
4-15	M4037	Thermostat	1	1
4-16	M5829	Reset Knob	-	1
4-17	M5689	Flame Detector Cover	-	1
4-18	M5654	Flame Detector	-	1
4-19	M5695	Cable Clamp	-	2
4-20	M2739	90° Connector	-	1
4-21	M2738	Straight Connector	-	1
4-22	M5655-1	Cable Assy, Flame Detector to Combustion Control	-	1
4-23	M3438-16	Conduit, Flame Detector to Control	-	1
4-24	M5653	Combustion Control	-	1
4-25	M5652	Spacer	-	1
4-26	M3307	Junction Box	-	1
4-27	M5649	Junction Box Cover Plate Assy	-	1
4-28	M3461-1	Conductor Assy, Control to Thermostat	-	1
4-29	M3586	Bushing, Junction Box to Control	-	2
4-30	M5845-2	Conductor Assy, Motor to Junction Box	-	1
4-31	M2739	90° Connector (In motor)	-	1
4-32	M2738	Straight Connector	-	1
4-33	M3438-14	Conduit, Motor to Junction Box	-	1
4-34	M6302	Cable Assy, Motor to Switch	1	-
4-35	56022	Connector	1	-
4-36	1001333	Bushing	1	-
4-37	M4922	Wire Cable Assy, Switch to Thermostat	1	-
4-38	M3361	Rubber Sleeving, Solenoid Valve to Switch	1	-
4-39	M4991	Conductor Assy, Solenoid Valve to Junction Box	-	1
4-40	M3438-13	Conduit, Solenoid Valve to Junction Box	-	1
4-41	M2738	Straight Connector	-	1
4-42	M2739	90° Connector	-	1
4-43	M4989	Conductor Assy, Transformer to Junction Box	-	1
4-44	M3438-15	Conduit, Transformer to Junction Box	-	1
4-45	M2739	90° Connector	-	2
4-46	M3339	Electrode Lead Assy (For Standard Heaters)	2	-
4-47	M3486-1	Ignition Cable Tubing	-	2
4-48	M3429-3	Ignition Cable	-	2
4-49	M3259-2	Transformer	1	-
4-49	M3259-3	Transformer	-	1
4-50	M4977	Fan Guard Assy	-	1
4-51	M3588	Ignition Cable Duct	-	1
4-52	M5277	Cowl Assy	1	1
4-53	M3334-4	Fuel Line Assy, Tank to Filter Intake	1	1
4-54	M4919	Fuel Line Assy, Pump to Tank	1	1
4-55	M4849	Fuel Line, Pump to Burner	1	1
4-56	M3973	Filter Assy	1	1
4-57	M3301-1	Filter Element	1	1

KNIPCO PORTABLE HEATER MODELS F-320 and F-320-C  
 Form No. 84B, Part No. M4154-3 (10-1-59)

PORTABLE HEATER REPAIR PARTS LIST (Continued)

Figure & Index No.	Part Number	Part Name	Units Per Assembly	
			Domestic	Canadian
4-58	M3301-2	Filter Gasket	1	1
4-59	M3463	Hex Nipple	1	1
4-60	57413	Street Elbow	1	1
4-61	M5842	Street Elbow	1	1
4-62	M3297	Reducing Nipple	1	1
4-63	69255	Tee	1	1
4-64	57419	Pipe Plug	1	1
4-65	69246	Hex Nipple	1	1
4-66	M3974-1	Solenoid Valve	1	1
4-67	M2294	Elbow	1	1
4-68	M3941-2	Pump	1	1
4-69	M6685	Pump Support Bracket	1	-
4-69	M6685	Pump Support Bracket	-	1
4-70	M3473	Coupling	1	1
4-71	M3547	Gasket	1	1
4-72	M6301	Motor	1	-
4-72	M6763	Motor	-	1
4-73	WP5	Washer, Motor Spacer	AR	AR
4-74	M6303	Fan	1	-
4-74	M6844	Fan	-	1
4-75	M6294	Burner Head Assy	1	1
4-76	M6296	Nozzle	1	1
4-77	M6231	Thermal Switch, Fan shut off	1	1
4-78	M3853	Burner Body	1	1
4-79	M3980	Electrode Bushing	2	2
4-80	M3981	Electrode	2	2
4-81	M2294	Elbow	1	1
4-82	M3978	Air Defector	1	1
4-83	M6290	Combustion Chamber Assy	1	1
4-84	M4817	Housing Assy	1	1
4-85	M4812	Access Door	1	-
4-85	M4812	Access Door	-	1
4-86	NSC-3S	Speed Nut	1	1
4-87	RC3-4C	Door Lock Screw	1	1
4-88	M6308	Fuel Tank Assy	1	1
4-89	M3353	Filler Cap	1	1
4-90	1000525	Drain Plug	1	1
4-91	M2436	Half Union	1	1
4-92	M2438	Elbow	1	1
4-93	M4825	Motor Support	1	-

AR - Use as required.