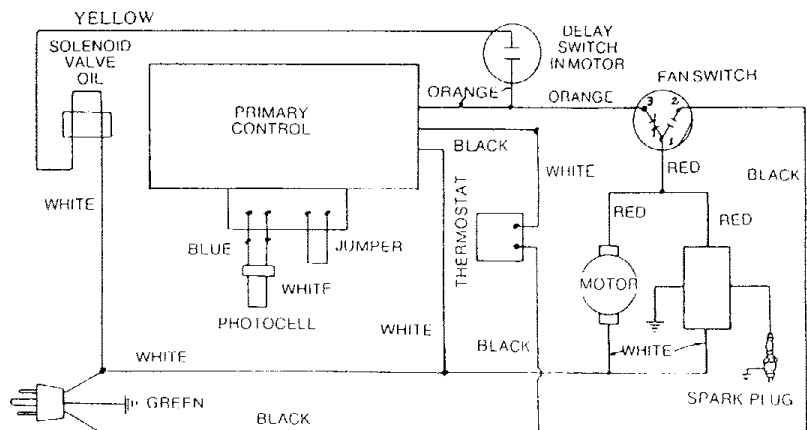


Index No.	Part Number	Part Name	Qty.
1	M50060AD	Upper Shell	1
2	M11084-26	Screw No. 10-12 x 3/8	10
3	M50089	Wiring Diagram Decal	1
4	M50097-01AA	Guard, Fan	1
5	M50542-01	Combustion Chamber and Heat Deflector	1
6	M50086	Air Deflector	5
7	M50104-03	Bushing, Short	7
8	M50084-01	Assem. Burner Head	1
9	M50121	Fan	1
10	M22082	Control Safety	1
11	M31301-02	Fan Switch	1
12	M18053	Filler Neck Screen	1
13	M50104-02	Bushing	1
14	M16656-4	Photo cell and bushing assembly	1
15	M50295	Fuel line	1
16	M50391-01	Wire harness assembly	1
17	M13942-7	Wire connector	2
18	M50079-04	Motor & pump assembly Ref. Figure	N/A
19	M10813-33	Extension Cord Assembly	1
20	M50050	Boot ignition	1
21	M50570-02	Transformer and bracket	1
22	M50061AD	Lower Shell	1
23	M11271-6	Nut, Tinnerman	10
24	M50062-03	Handle, Front	1
25	HC4-12C	Screw 1/4-20x1 1/2	4
26	HC4-18C	Screw 1/4-20x2 1/4	6
27	M50062	Rear handle (Frame support)	1
28	M50118-02	Fuel line-return	1
29	M50118-03	Fuel line-input	1
30	M50262-01	Screen & bushing assembly	1
31	M50071-01AK	Fuel Tank Assembly	1
32	M23284	Fuel cap	1
33	NTC-4C	Nut 1/4-20	10
34	M25297-14	Thermostat Assembly	1
35	M27417	Drain Plug	1
36	M50063	Frame, Wheel Support	1
37	WP-10C	Washer, Flat 5/8	4
38	M50389	Wheel	2
39	C5-10C	Pin, Cotter, 5/32 x 1 1/4	2
40	M18774A	Axle	1

Figure 5. Heater Assembly, Exploded View

Figure 1. Wiring Diagram



Index No.	Part Number	Description	Qty.
	M50079-04	Assembly Motor & Pump	N/A
1	M50082AA	Cover, Wiring	1
2	HF5-5C	Screw, 5/16-24	4
3	WLE-5	Washer, Lock 5/16	4
4	M11084-26	Screw no.10-12 x 3/8	3
5	M50064-01	Motor	1
6	M50116	Clamp Flanged	1
7	M50083AA	Support, Motor	1
8	57413	Elbow Street	1
9	M50393	Nipple, long	1

Index No.	Part Number	Description	Qty.
10	M20137	Bushing, Pipe	1
11	M20137	Bushing, Pipe	1
12	M50398	Filter assembly	1
	M50399	Element Filter (cartridge)	1
13	M50114-02	Elbow, Male 90% 1/4 to 1/4	1
14	M50297	Elbow, Compression	1
15	57413	Elbow Street	1
16	M50113-02	Fitting straight 1/4 to 1/4	1
17	M50065	Pump, Fuel	1
18	WLM-5	Washer Lock 5/16	4
19	NPF-5C	Nut, Hex 5/16-24	4

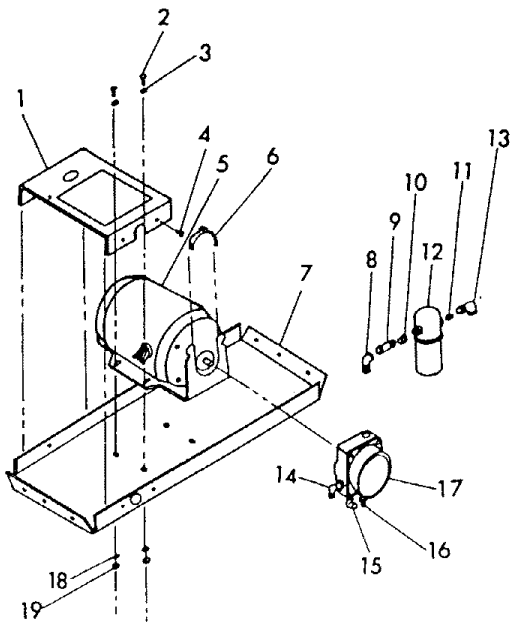
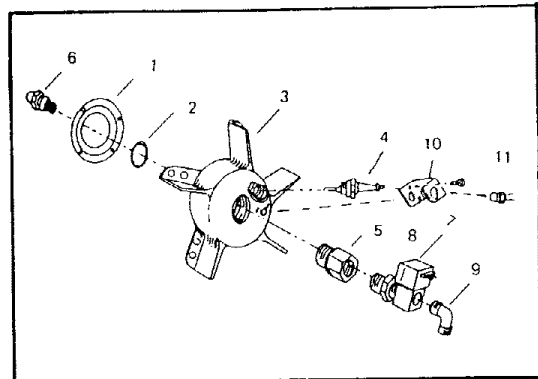


Figure 6. Motor & Pump Assembly

Figure 7, Burner Head Assembly



Item	Part Number	Description	Qty.
Fig. 7	M50084-01	Assembly Burner Head	1
1	M50396	. Orifice, Burner Head	1
	M11523-1	.. Screw, No. 6-20 x 1/4 Attaches Orifice to Burner Head	5
2	M16741-18	Retaining Ring	1
3	M16534-02	. Burner Head	1
4	M10962-2	. Spark Plug	1
	M50080-01	. Assemble Adapter Nozzle	1
5	M50081	.. Adapter Nozzle	1
6	M50112	.. Nozzle	1
	M50390-01	.. Assembly Solenoid Valve	1
7	M50077	.. Valve Solenoid	1
8	69246	.. Nipple Straight	1
9	M50297	.. Compression Elbow	1
	M50298	... Nut	1
	M50299	... Sleeve	1
	M50315	... Elbow 90°	1
10	M50342-02	. Photo Cell Bracket	1
11	M16656-4	. Photo Cell	1