

INTERNATIONAL KNIPCO PORTABLE HEATER MODEL FV60S
 Spec. No. 3201G03 Form No. 3018

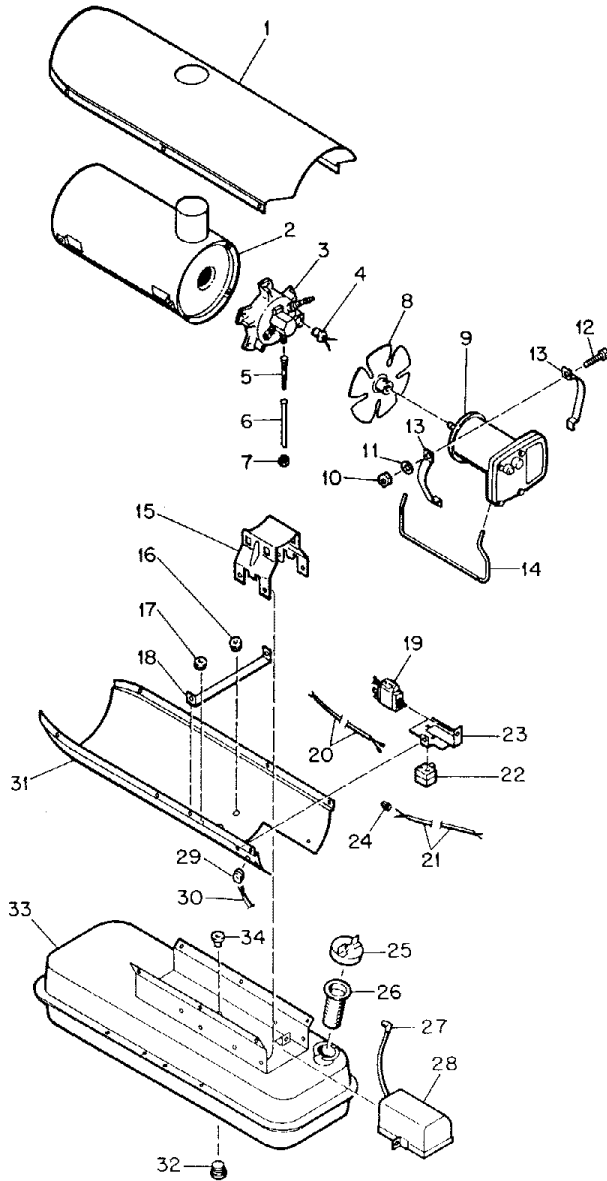


Figure 13. Portable Heater, Exploded View

Index No.	Part Number	Part Name	Qty.
1	M26589-B	Shell, Upper	1
	M11084-26	Screw, Hex hd., 10-12 x 3/8 in. (AP)	6
	M11271-6	Nut, Tinnerman (AP)	6
2	M26548-1	Combustion Chamber Assy	1
	M11084-26	Screw, Hex hd., 10-12 x 3/8 in. (AP)	4
3	M27367-4	Burner Body Assembly (See fig. 14 for details)	1
	M11084-26	Screw, Hex hd., 10-12 x 3/8 in. (AP)	3
4	M16656-3	Photo Cell and Bushing Assembly	1
5	M19630	Filter Element	1
6	M16790-14	Tube, Filter	1
7	M13849	Nut, Flared	1
8	M28730	Fan	1
	SF4-2-1/2K	Setscrew, Socket hd., cup point 1/4-28 x 5/16 in.	2
9	M25023-1	Motor Package Assembly (See fig. 15 for details)	1
10	NPC-4C	Nut, Plain, Hex 1/4-20 (AP)	2
11	WLM-4	Lockwasher, 1/4 in (AP)	2
12	HC4-10C	Screw, Hex hd., 1/4-20 x 1-1/4 in. (AP)	2
13	M16661	Clamp, Motor	4
14	M25021	Air Line	1
15	M25059	Bracket, Support	1
	M11084-27	Screw, Hex hd., 10-12 x 1/2 in. (AP)	4
16	1000576	Grommet	3
17	1000577	Grommet	1
18	M25645-2	Strap, Retainer	1
	M11084-26	Screw, Hex hd., 10-12 x 3/8 in. (AP)	2
19	M24982-5	Safety Control Assembly	1
20	M16841-16	Wire Assembly	1
21	M16841-15	Wire Assembly	1
22	M25061-1	Relay, Motor Start	1
	RC2-2.5C	Screw, Rd hd., 8-32 x 5/16 in. (AP)	1
	WLI-2	Lockwasher, No. 8	1
23	M25035	Bracket, Motor start relay	1
	M11084-26	Screw, Hex hd., 10-12 x 3/8 in. (AP)	2
24	M13942-2	Connector, Wire	2
25	M23284	Cap, Filler Neck	1
26	M18053	Screen, Filler Neck	1
27	M16748	Terminal, Ignition	1
28	*M16697	Transformer, 5000 volt	1
	M11084-27	Screw, Hex hd., 10-12 x 1/2 in.	2
29	M11143-1	Bushing, Strain relief	1
30	M10813-38	Extension Cord Assembly	1
31	M26208-B	Shell Assembly, Lower	1
	M11084-26	Screw, Hex hd., 10-12 x 3/8 (AP)	6
32	M27417	Plug, Drain	1
33	M27553-04A	Fuel Tank Assembly	1
34	M10990-3	Bushing	1

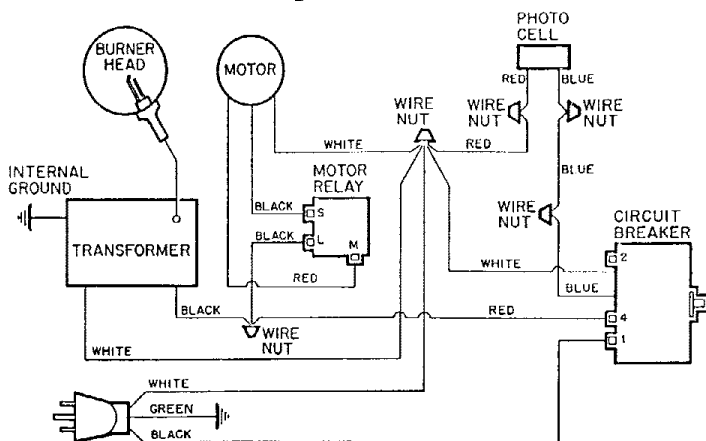


Figure 9. Wiring Diagram

Fig. 16			
Index No.	Part Number	Part Name	Qty.
	M25023-1	Motor Package Assembly (See figure 13)	Ref.
1	M16545	. End Cover, Filter	1
2	*M12461-31	. Screw, Hex hd., No. 10-32 x 1 (AP)	4
3	*WLI-3	. Lockwasher, Internal No. 10 (AP)	4
4	M12179	. Intake Air Filter	1
5	M12244-1	. Output Filter Assembly	1
6	M16637	. Filter, Lint	1
7	M12233	. Front Cover, Pump (Port Plate)	1
8	*M12461-32	. Screw, Hex hd., No. 10-32 x 1-1/8 (AP)	6
9	WLI-3	Lockwasher, Internal (AP)	6

Fig. 16			
Index No.	Part Number	Part Name	Qty.
10	M8643	. Blade, Pump	4
11	M22456-1	. Rotor, Pump	1
12	M22009	. Insert, Rotor	1
13	M8645	. Pump Body	1
14	*FHFP3-4C	. Screw (Pump Body to Motor)	2
15	69248	. Elbow, 90°	1
16	M22997	. Plug	1
17	M27694	. Screw, Pressure Adjustment	1
18	M10993-1	. Spring, Compression (Pressure Relief)	1
19	M8940	. Ball, 1/4 in. dia.	1
20	M25022-1	. Motor	1

AP Indicates attaching parts.
* Standard hardware. Purchase locally.

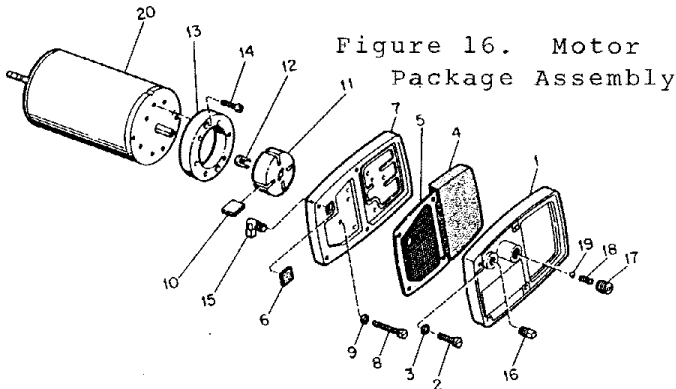


Figure 16. Motor Package Assembly

Fig. 14			
Index No.	Part Number	Part Name	Qty.
14-	M27367-4	Burner Head Assembly	Ref.
1	M16660	. Bracket, Photo Cell	1
2	*M10908-1	. Screw, Hex hd., Self- tapping, No. 6-32 x 1/4 (AP)	2
3	M10962-2	. Spark Plug	1
4	M16741-18	. Ring, Retaining	1
	M23151-7	. Nozzle Adapter Assy	1
5	M5976	. . Connector, Male	
6	M8882	. . Sleeve, Nozzle Seal	1
7	M10659-1	. . Washer, Nozzle Seal	2
8	M10809-1	. . Spring, Nozzle Seal	1
9	M27014	. . Nozzle, Aspirating	1
10	M16791	. . Connector, Male	1
11	M16535	. . Adapter, Nozzle	1
12	M26732	. Body, Burner Head	1

Fig. 15			
Index No.	Part Number	Part Name	Qty.
1	M26204-3	Handle, Rear	1
2	M26203-3	Handle, Front	1
3	M26205-3	Frame, Wheel Support	1
4	M12345-33*	Screw, Oval hd., 10-24 x 1-3/4 in.	8
5	NTC-3C*	Nut, Torque Lock No. 10-24	8
6	M28526	Nut, Cap	2
7	WP-8C*	Washer, Flat 1/16 inch	2
8	M26306	Wheel	2
9	M16801-6	Axle	1

DECALS

M17071	Decal, Tradename	1
M17081	Decal, Atomaster	1
M18196	Decal, Mfg. by	1
M28601-2	Decal, Model	1
M22743	Decal, Warning	1
M22898	Decal, N. P.	1
M25352	Decal, Wiring	1
M25325	Decal, Reset	1

TOUCH-UP PAINT

M23353 6	Paint, Yellow, Aerosol Can
M23353-5	Paint, Green, Aerosol Can

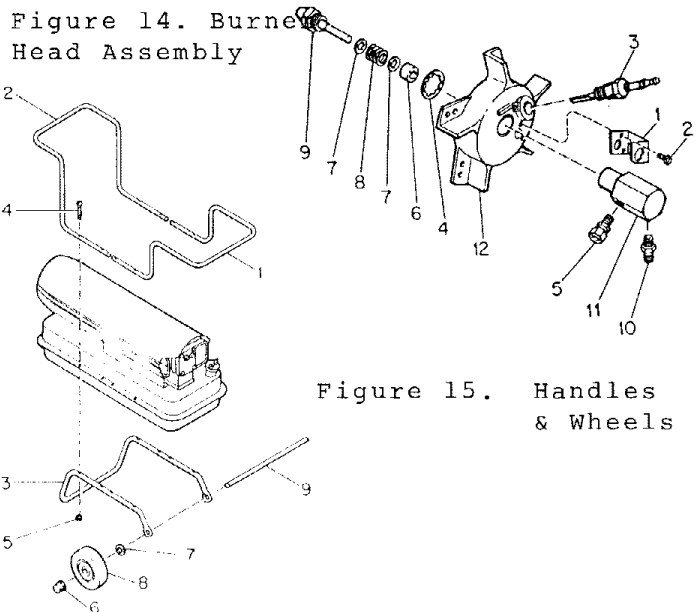


Figure 14. Burner Head Assembly

Figure 15. Handles & Wheels