

Figure 13. Heater Assembly, Exploded View

| Fig. & Index No. | Part Number | Part Name | Qty. |
|------------------|---------------------------|---|------|
| 1 | M23748B | Upper Shell Assembly | 1 |
| | M11084-27 | Screw, Hex hd., 10-12 x 1/2 in. (AP) | 8 |
| 2 | M23734-2 | Combustion Chamber | 1 |
| | M11087-27 | Screw, Hex hd., 10-12 x 1/2 in. (AP) | 4 |
| 3 | M16656-3 | Cell and Bushing Assy | 1 |
| 4 | M16660 | Bracket, Photo cell | 1 |
| | M10908-1 | Screw, Hex hd., 6-32 x 1/4 in. (AP) | 2 |
| 5 | M13942-5 | Connector, Wire | 2 |
| 6 | M16615-1 | Wiring Harness Assy | 1 |
| 7 | M23150-6 | Burner Head Assembly | 1 |
| | (For details see fig. 15) | | |
| | M11087-27 | Screw, Hex hd., 10-12 x 1/2 in. (AP) | 3 |
| 8 | M23753 | Air Line | 1 |
| 9 | M12461-27 | Screw, Hex hd., 10-32 x 1/2 in. | 1 |
| 10 | M24717 | Clamp, Air Line | 1 |
| 11 | WLM-3 | Lockwasher, No. 10 | 1 |
| 13 | NPF-3C | Nut, Plain, No. 10-32 | 1 |
| 13 | M16871 | Strap, Retainer | 1 |
| 14 | M11084-27 | Screw, Hex hd., 10-12 x 1/2 in. (AP) | 2 |
| 15 | M27982 | Fan, 0.75 pitch | 1 |
| | SF4-2-1/2K | Setscrew, Socket hd., cup pt. 1/4-28 | 2 |
| 16 | M17875-9 | Motor Package Assembly | 1 |
| 17 | M16661 | Clamp, Motor (AP) | 4 |
| 18 | HC4-10C | Screw, Hex hd., 1/4-20 x 1-1/4 in. (AP) | 2 |
| 19 | WLM-4 | Lockwasher, 1/4 in. | 2 |
| 20 | NPC-4C | Nut, Hex, 1/4-20 | 2 |
| 21 | M16810B | Shell, Lower | 1 |
| 22 | M11271-6 | Nut, Tinnerman | 8 |
| 23 | M12828 | Bracket, Shell Support | 1 |
| | M11084-29 | Screw, Hex hd., 10-12 x 3/4 in. (AP) | 4 |
| 24 | 1000576 | Grommet | 2 |
| 25 | 1000577 | Grommet | 2 |
| 26 | M12651-1 | Clamp, Capacitor | 1 |
| | M11084-27 | Screw, Hex hd., 10-12 x 1/2 in. (AP) | 1 |
| 27 | M12650-1 | Capacitor | 1 |
| 28 | M9900-17 | Wire Assembly, Capacitor | 1 |
| 29 | M16645 | Bracket, Motor Support | 1 |
| | M11084-27 | Screw, Hex hd., 10-12 x 1/2 in. (AP) | 4 |
| | M27105 | Terminal | 1 |
| 30 | M16697 | Transformer, 5000 volt | 1 |
| | M11084-27 | Screw, Hex hd., 10-12 x 1/2 in. (AP) | 2 |
| 31 | M9900-62 | Wire Assembly, Relay | 1 |
| 32 | M9900-80 | Wire Assembly, Relay | 1 |
| 33 | M24982-5 | Control Assembly, Safety | 1 |
| 34 | M12462-6 | Relay, Starting | 1 |
| | RC2-2C | Screw, Rd. hd., 8-32 x 1/4 in. (AP) | 2 |
| 35 | M25296-1 | Bracket, Safety Control | 1 |
| | M11084-27 | Screw, Hex hd., 10-12 x 1/2 in. (AP) | 1 |
| 36 | M13942-2 | Connector, Wire | 3 |
| 37 | M15995-2 | Plug, Button | 1 |
| 38 | M10813-33 | Extension Cord Assy | 1 |
| 39 | M11954 | Bushing, Strain Relief | 1 |
| 40 | M27547-01A | Fuel Tank Assembly | 1 |
| 41 | M27417 | Plug, Drain | 1 |
| 42 | M18053 | Screen, Filler Neck | 1 |
| 43 | M23284 | Cap, Filler Neck | 1 |
| 44 | M10990-3 | Bushing, Rubber | 1 |

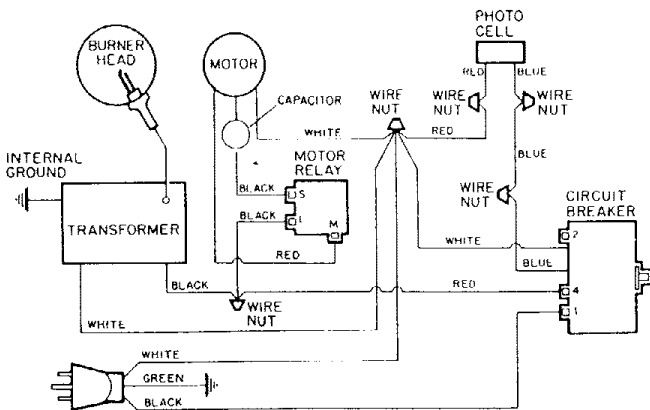


Figure 9. Wiring Diagram

INTERNATIONAL KNIPCO PORTABLE HEATER MODEL FV125S Spec. No. 3133G05
Form No. 3054

| Fig. & Index No. | Part Number | Part Name | Qty. |
|------------------|-------------|--|------|
| | M17875-9 | Motor Package Assembly | 1 |
| 1 | M16545 | End Cover, Filter | 1 |
| 2 | M12461-31 | Screw, Hex hd., 10-32 x 1 (AP) | 4 |
| 3 | WLI-3 | Lockwasher, Internal No. 10 (AP) | 4 |
| 4 | M12179 | Intake Air Filter | 1 |
| 5 | M12244-1 | Output Filter Assembly | 1 |
| 6 | M11637 | Filter, Lint | 1 |
| 7 | M12233 | Front Cover, Pump (Port plate) | 1 |
| 8 | M12461-34 | Screw, Hex hd., No. 10-32 x 1-1/2 (AP) | 6 |
| 9 | WLI-3 | Lockwasher, Internal No. 10 (AP) | 6 |

| Fig. & Index No. | Part Number | Part Name | Qty. |
|------------------|-------------|---------------------------------------|------|
| 10 | M8643-3 | Blade, Pump | 4 |
| 11 | M22456-3 | Rotor, Pump | 1 |
| 12 | M22009 | Insert, Rotor | 1 |
| 13 | M8645-3 | Pump Body | 1 |
| 14 | FHPF3-7C | Screw (Pump Body to Motor) | 2 |
| 15 | M5976 | Connector, Male | 1 |
| 16 | M22997 | Plug | 1 |
| 17 | M27694 | Screw, Pressure Adjustment | 1 |
| 18 | M10993-1 | Spring, Compression (Pressure Relief) | 1 |
| 19 | M8940 | Ball, 1/4 in. dia. | 1 |
| 20 | M17814-6 | Motor | 1 |

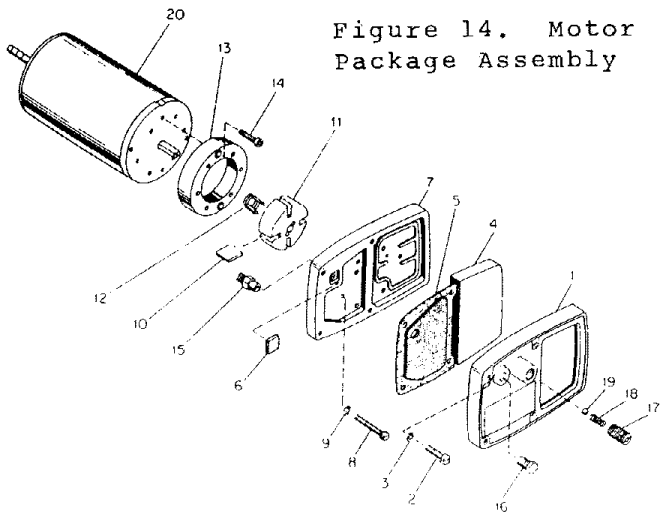


Figure 14. Motor Package Assembly

| Fig. & Index No. | Part Number | Part Name | Qty. |
|------------------|-------------|-------------------------|------|
| | M23150-6 | Burner Head Assembly | Ref. |
| 1 | M13849 | Nut, Flared | 1 |
| 2 | M16789-9 | Fuel Filter Assembly | 1 |
| 3 | M10962-2 | Spark Plug | 1 |
| 4 | M16741-18 | Ring, Retaining | 1 |
| | M23151-1 | Nozzle Adapter Assembly | 1 |
| 5 | M5976 | Connector, Male | 1 |
| 6 | M8882 | Sleeve, Nozzle Seal | 1 |
| 7 | M10659-1 | Washer, Nozzle Seal | 2 |
| 8 | M10809-1 | Spring, Nozzle Seal | 1 |
| 9 | M23103 | Nozzle, Aspirating | 1 |
| 10 | M16791 | Connector, Male | 1 |
| 11 | M16535 | Adapter, Nozzle | 1 |
| 12 | M16534 | Body, Burner Head | 1 |

DECALS, HANDLES AND WHEELS

| Index No. | Part Number | Part Name | Qty. |
|-----------|-------------|-----------------------|------|
| | M17071 | Decal, Trade name | 1 |
| | M18196 | Decal, Mfg. by | 1 |
| | M22898 | Decal, Name Plate | 1 |
| | M27234 | Decal, Wiring | 1 |
| | M17081 | Decal, Atomaster | 1 |
| | M25325 | Decal, Reset | 1 |
| | M22743 | Decal, Warning | 1 |
| | M27986-01 | Decal, Model | 1 |
| | M16749 | Decal, Safety Control | 1 |

HANDLES AND WHEELS

| | | | |
|---|-----------|--------------------------------|---|
| 1 | M14244-3 | Handle, Front | 1 |
| 2 | M14243-3 | Handle, Rear | 1 |
| 3 | M12831-3 | Frame, Wheel Support | 1 |
| 4 | M12345-34 | Screw, Oval hd., 10-24 x 2 in. | 8 |
| 5 | NTC-3C | Nut, Torque Lock No. 10-24 | 8 |
| 6 | M28526 | Nut, Cap | 2 |
| 7 | WP-8C | Washer, Flat, 1/2 inch | 2 |
| 8 | M19295 | Wheel | 2 |
| 9 | M16801-2 | Axle | 1 |

Figure 15. Burner Head Assembly

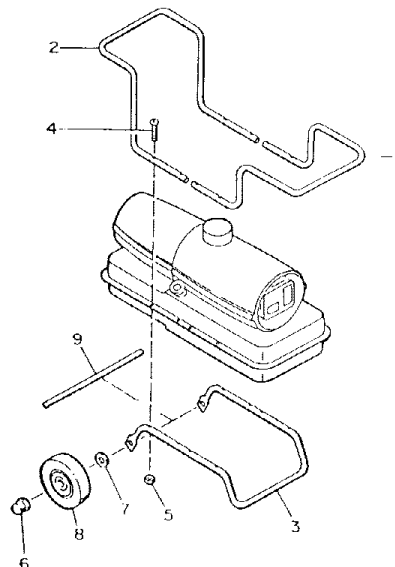
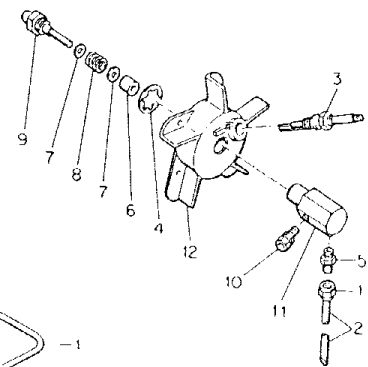


Figure 16. Handles & Wheels