

KNIPCO PORTABLE HEATER MODELS F-250 and F-250-C
 Form No. 84B, Part No. M4154-2 (9-15-58)

Figure 4. Exploded View
 of Portable Heater
 (Domestic & Canadian Models)

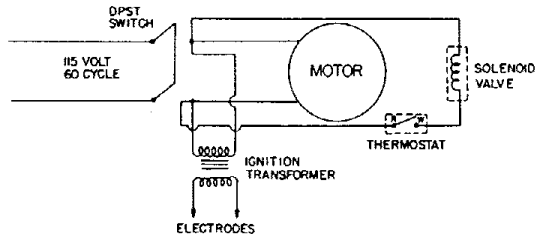
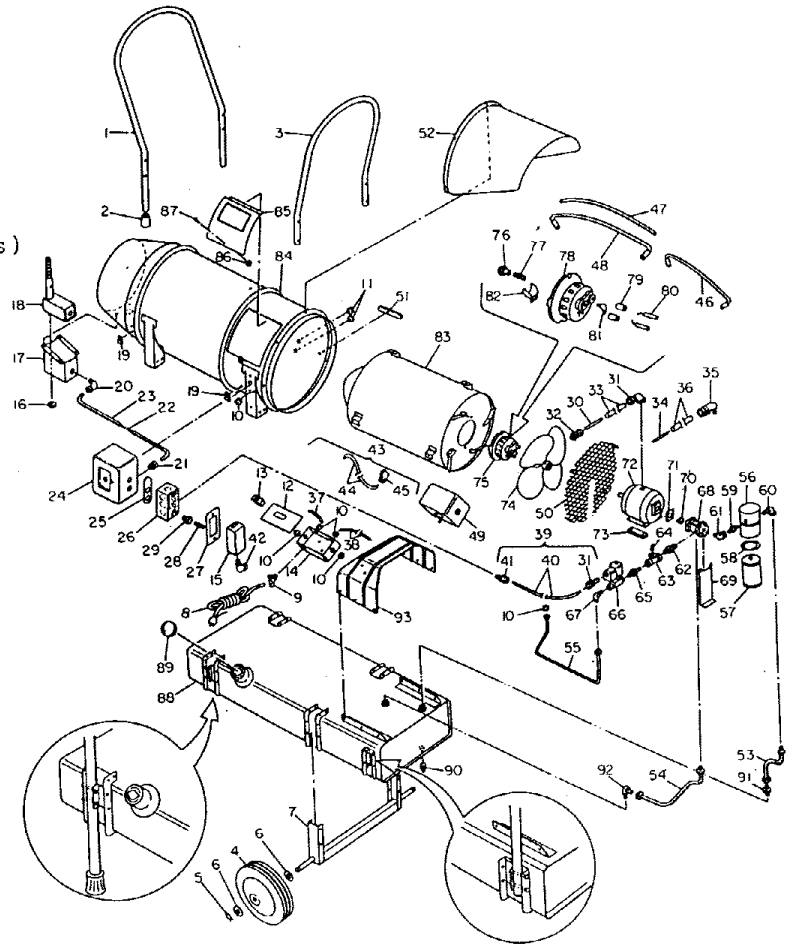


Figure 2. Wiring Diagram for Thermostatically-
 Controlled Heater (Domestic)

Key to Figure 3.

- RI- Main relay contacts to motor
- PC- Purge contacts to motor
- R2- Relay holding contacts
- CCC- Stack control contacts in cold position
- CCH- Stack control contacts in hot position

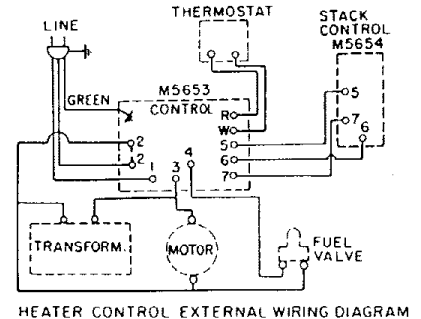
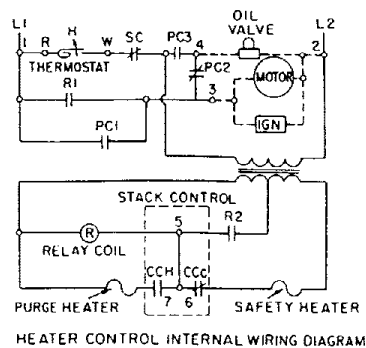


Figure 3. Wiring Diagrams for Thermostatically-Controlled Heater with Combustion Control

KNIPCO PORTABLE HEATER MODELS F-250 & F250-C

Form No. 84B

Part No. M4154-2

(9-15-58)

PORTABLE HEATER REPAIR PARTS LIST

Figure & Index No.	Part Number	Part Name	Units Per Domestic	Units Per Assembly Canadian
4-	M5629	Portable Heater Assy, Domestic	1	-
4-	M5687	Portable Heater Assy, Canadian	-	1
4-1	M4830	Front Handle	1	1
4-2	M4855	Rubber Tip	2	2
4-3	M5089	Rear Handle	1	1
4-4	M4858	Wheel	2	2
4-5	C5-10	Cotter Pin	2	2
4-6	WP-10	Washer	4	4
4-7	M4836	Axle Assy	1	1
4-8	M5164-1	Extension Cord	1	-
4-8	M3490	Extension Cord	-	1
4-9	1001349	Straight Connector	1	-
4-9	M5285	Straight Connector	-	1
4-10	M3530	7/8" Grommet	6	3
4-11	1000576	1/2" Grommet	2	2
4-12	M3308	Switch Box Cover	1	-
4-13	M3480	Switch	1	-
4-14	M3307	Switch Box	1	-
4-15	M4037	Thermostat	1	1
4-16	M5829	Reset Knob	-	1
4-17	M5689	Flame Detector Cover	-	1
4-18	M5654	Flame Detector	-	1
4-19	M5695	Cable Clamp	-	2
4-20	M2739	90° Connector	-	1
4-21	M2738	Straight Connector	-	1
4-22	M5655-1	Cable Assy, Flame Detector to Combustion Control	-	1
4-23	M3438-16	Conduit, Flame Detector to Control	-	1
4-24	M5653	Combustion Control	-	1
4-25	M5652	Spacer	-	1
4-26	M3307	Junction Box	-	1
4-27	M5649	Junction Box Cover Plate Assy	-	1
4-28	M3461-1	Conductor Assy, Control to Thermostat	-	1
4-29	M3586	Bushing, Junction Box to Control	-	1
4-30	M5712	Conductor Assy, Motor to Junction Box	-	1
4-31	M2739	90° Connector (In motor)	-	1
4-32	M2738	Straight Connector	-	1
4-33	M3438-14	Conduit, Motor to Junction Box	-	1
4-34	M4901	Cable Assy, Motor to Switch	1	-
4-35	56022	Connector	1	-
4-36	1001333	Bushing	1	-
4-37	M4922	Wire Cable Assy, Switch to Thermostat	1	-
4-38	M3360	Wire Assy, Solenoid Valve to Switch	1	-
4-39	M4991	Conductor Assy, Solenoid Valve to Junction Box	-	1
4-40	M3438-13	Conduit, Solenoid Valve to Junction Box	-	1
4-41	M2738	Straight Connector	-	1
4-42	M2739	90° Connector	-	1
4-43	M4989	Conductor Assy, Transformer to Junction Box	-	1
4-44	M3438-15	Conduit, Transformer to Junction Box	-	1
4-45	M2739	90° Connector	-	2
4-46	M3339	Electrode Lead Assy (For Standard Heaters)	2	-
4-47	M3486-1	Ignition Cable Tubing	-	2
4-48	M3429-3	Ignition Cable	-	2
4-49	M3259-2	Transformer	1	-
4-49	M3259-3	Transformer	-	1
4-50	M4977	Fan Guard Assy	-	1
4-51	M3588	Ignition Cable Duct	-	1
4-52	M5277	Cowl Assy	1	1
4-53	M3334-4	Fuel Line Assy, Tank to Filter Intake	1	1
4-54	M4919	Fuel Line Assy, Pump to Tank	1	1
4-55	M4849	Fuel Line, Pump to Burner	1	1
4-56	M3973	Filter Assy	1	1
4-57	M3301-1	Filter Element	1	1
4-58	M3301-2	Filter Gasket	1	1
4-59	M3463	Hex Nipple	1	1
4-60	57413	Street Elbow	1	1
4-61	M5842	Street Elbow	1	1
4-62	M3297	Reducing Nipple	1	1
4-63	69255	Tee	1	1
4-64	57419	Pipe Plug	1	1
4-65	69246	Hex Nipple	1	1
4-66	M3974-1	Solenoid Valve	1	1
4-67	M2294	Elbow	1	1
4-68	M3941-1	Pump	1	1
4-69	M4925	Pump Support Bracket	1	1
4-69	M4925-1	Pump Support Bracket	1	-
4-70	M3473	Coupling	-	1
4-71	M3547	Gasket	1	1
4-72	M3342	Motor	1	-
4-72	M3373	Motor	-	1
4-73	M4889	Motor Spacer	2	-
4-74	M4835	Fan	1	-
4-74	M4835-1	Fan	-	1
4-75	M4856	Burner Head Assy	1	1
4-76	M4857	Nozzle	1	1
4-77	M4274	Nozzle Spring	1	1
4-78	M3853	Burner Body	1	1
4-79	M3980	Electrode Bushing	1	1
4-80	M3981	Electrode	2	2
4-81	M2294	Elbow	2	2
4-82	M3978	Air Deflector	1	1
4-83	M4807	Combustion Chamber Assy	1	1
4-84	M4817	Housing Assy	1	1
4-85	M5625	Access Door	1	1
4-85	M4851-1	Access Door	1	-
4-86	NSC-3S	Speed Nut	-	1
4-87	RC3-4C	Door Lock Screw	1	1
4-88	M4961-1	Fuel Tank Assy	1	1
4-89	M3353	Filter Cap	1	1
4-90	1000525	Drain Plug	1	1
4-91	M2436	Half Union	1	1
4-92	M2438	Elbow	1	1
4-93	M4825	Motor Support	1	1