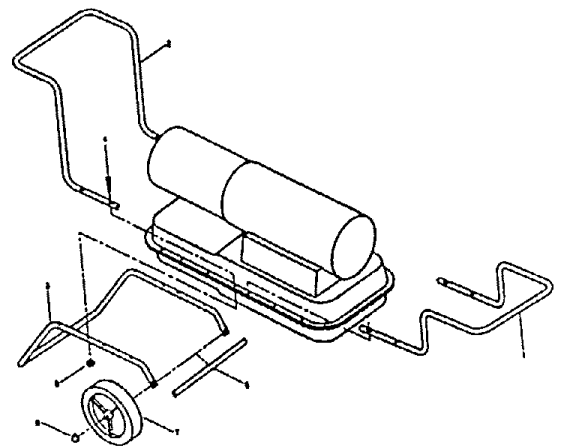
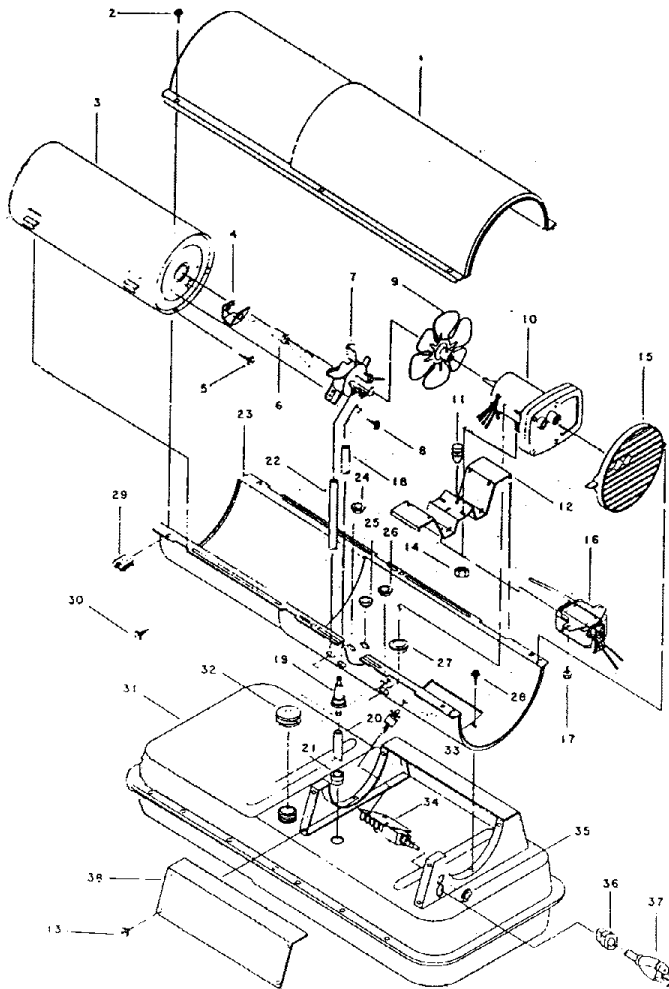


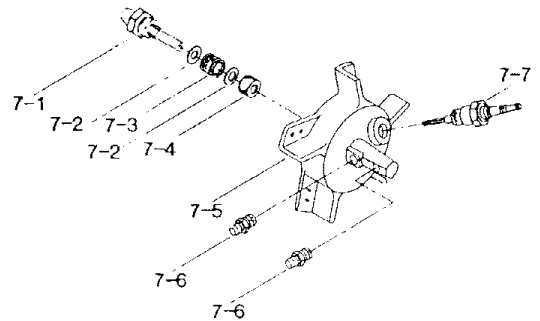
Figure 2 - Replacement Parts Illustration for Heater Model F110E

**KNIPCO Models F110E & F150F  
P/N Listing - Wheel/Handle Assembly**

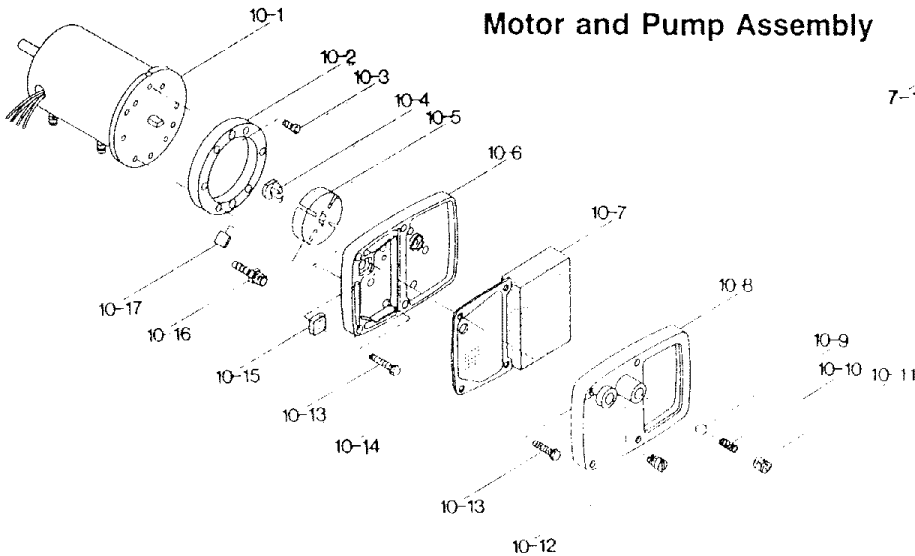
REF NO.		F110E	QTY	F150F	QTY
1	Rear Handle	M13830-3	1	M14243-3	1
2	Front Handle	M51333-01	1	M14244-3	1
3	Support Frame	M12342-3	1	M12831-3	1
4	Screw, #10-24 x 1 3/4	M12345-33	8	M12345-33	8
5	Torque lock nut, #10-24	NTC-3C	8	NTC-3C	8
6	Axle	M51015-01	1	M16801-2	1
7	Wheel	M19294	2	M19294	2
8	Cap nut	M28526	2	M28526	2



**Burner Head Assembly**



**Motor and Pump Assembly**



## Replacement Parts List for Heater Model F110E

KEY NO.	PART NUMBER	PART DESCRIPTION	QTY	KEY NO.	PART NUMBER	PART DESCRIPTION	QTY
1	M51072-01AD	Upper Shell	1	11	M50631	Rubber Bumper	2
2	M15823-27	Screw (10-16 x 1/2)	6	12	M51074-01	Motor Mounting Bracket	1
3	M51075-01	Combustion Chamber Assembly	1	13	M11084-3	Screw (12-14 x 1/2)	4
4	M16660	Bracket, Photocell	1	14	NTC-4C	Hex Lock Nut	2
5	M10908-2	Screw (6-32 x 3/8)	2	15	M51114-01	Fan Guard	1
6	M16656-10	Photocell Assembly	1	16	M50570-04	Transformer	1
7		Burner Head Assembly	1	17	M11084-27	Screw (10-16 x 1/2)	2
7-1	M51120-01	Nozzle	1	18	M51345-01	Fuel Line	1
7-2	M10659-1	Washer, Nozzle	2	19	M51150-01	Fuel Filter	1
7-3	M10809-1	Spring, Nozzle	1	20	M51151-01	Fuel Line Tube	1
7-4	M8882	Sleeve, Nozzle	1	21	M10990-3	Rubber Bushing	1
7-5	M50924-03	Body, Burner Head	1	22	M50814-06	Airline	1
7-6	M50820-02	Fitting, Barb	2	23	M51073-01AD	Lower Shell	1
7-7	M10962-2	Spark Plug	1	24	M30865-02	Bushing	1
8	M11084-27	Screw (10-16 x 1/2)	3	25	M30865-02	Bushing	1
9	M51153-01	Fan	1	26	M30865-02	Bushing	1
10		Motor and Pump Assembly	1	27	M50104-02	Bushing	1
10-1	M51131-01	Motor	1	28	M11084-3	Screw (12-14 x 1/2)	6
10-2	M8645	Pump Body	1	29	M11271-8	Clip Nut	6
10-3	FHPF3-4C	Screw (10-32 x 1/2)	2	30	M15823-37	Screw (Grounding, 8-18 x 1/4)	1
10-4	M22009	Insert, Rotor	1	31	M51115-01AK	Fuel Tank	1
10-5	M22456-1	Rotor, Pump	1	32	M51027-06	Cap, Fuel (Includes gasket)	1
10-6	M50545	Cover, Pump End	1	33	M51122-01	Support, Circuit Board	3
10-7	M12179	Filter, Intake	1	34	M50671-02	Control, Flame Out	1
10-8	M16545	Cover, End Filter	1	35	M51157-01	Nut Hex 12mm	1
10-9	M8940	Ball, Steel 1/4 Dia.	1	36	M11142-1	Bushing, Strain Relief	1
10-10	M10993-1	Spring, Relief	1	37	M10813-84	Cord, Power	1
10-11	M27694	Screw, Adjusting	1	38	M51077-01AK	Cover, Side	1
10-12	M22997	Plug	1	<b>PARTS AVAILABLE - NOT SHOWN</b>			
10-13	M12461-31	Screw (10-32 x 1)	10		M29936	Decal, Tradename	
10-14	M12244-1	Filter, Output	1		M51138-07	Decal, Wiring	
10-15	M11637	Filter, Lint	1		M51146-04	Decal, General Information	
10-16	M50820-02	Fitting, Barb	1				
10-17	M8643	Blade	4				

MODEL F110E

