

DAKON SPACE HEATER MODEL NOS. DKV60S & DKV125S
 Spec. Nos. 3201G13 & 3133G02
 Form No. 3074

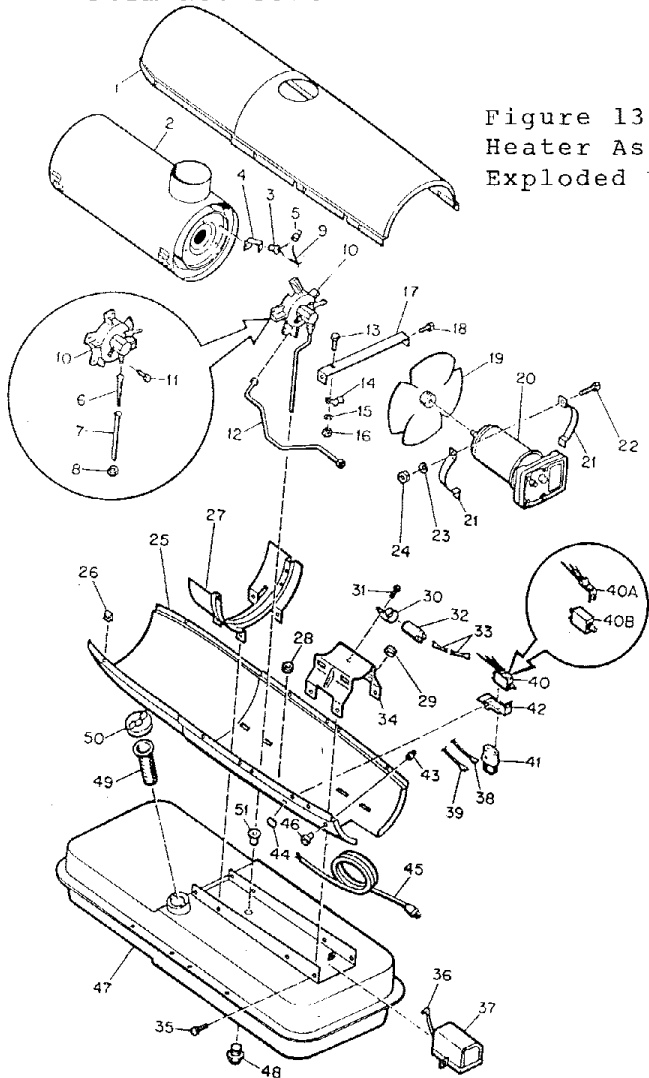


Figure 13.
 Heater Assembly,
 Exploded View

Fig. & Index No.	Part Number	Part Name	DKV60S	DKV125S
14-	M27367-4	Burner Head Assembly	Ref	-
	M23150-6	Burner Head Assembly	-	Ref
1	M16660	. Bracket, Photo Cell	1	-
2	M10908-1	. Screw, Hex hd., Self-tapping, No. 6-32 x 1/4 in.	2	-
3	M13849	. Nut, Flared	-	1
4	M16789-9	. Fuel Filter Assembly	1	-
5	M10962-2	. Spark Plug	1	1
6	M16741-18	. Ring, Retaining	1	1
	M23151-7	. Nozzle Adapter Assembly	1	-
	M23151-1	. Nozzle Adapter Assembly	-	1
7	M5976	. . Connector, Male	1	1
8	M8882	. . Sleeve, Nozzle Seal	1	1
9	M10659-1	. . Washer, Nozzle Seal	2	2
10	M10809-1	. . Spring, Nozzle Seal	1	1
11	M27014	. . Nozzle	1	-
11	M23103	. . Nozzle	-	1
12	M16791	. . Connector, Male	1	1
13	M16535	. . Adapter, Nozzle	1	1
14	M26732	. Body, Burner Head	1	-
14	M16534	. Body, Burner Head	-	1

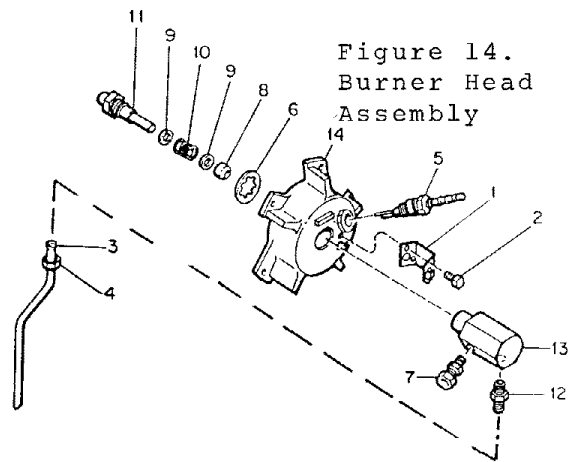
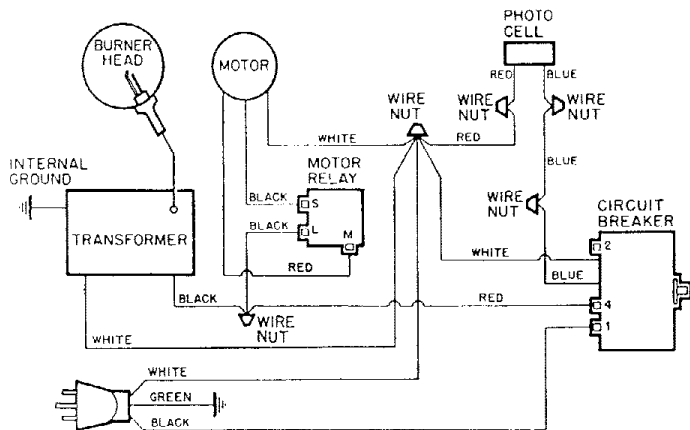


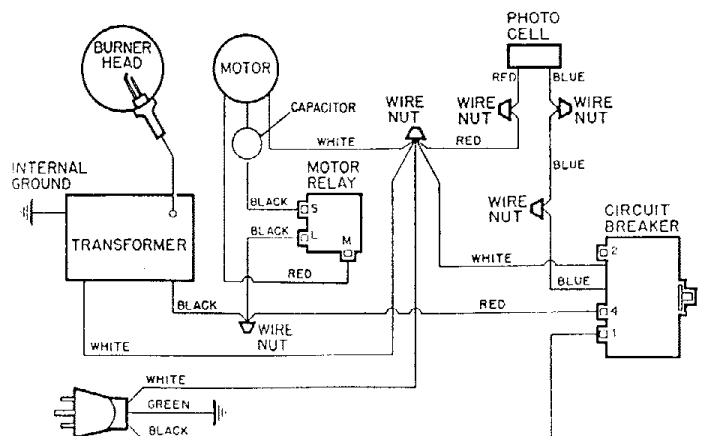
Figure 14.
 Burner Head
 Assembly

Figure 9. Wiring Diagrams

Model DKV60S



Model DKV125S



HEATER ASSEMBLY

Fig. & Index No.	Part Number	Part Name	DKV60S		Fig. & Index No.	Part Number	Part Name	DKV125S	
13-1	M26589B	Shell, Upper	1	-	24	NPC-4C	Nut, Hex, 1/4-20	2	2
1	M23748B	Shell, Upper	-	1	25	M26208B	Shell Assembly, Lower	1	-
	M11084-26	Screw, Hex hd., 10-12 x 3/8 in. (AP)	6	-	25	M16810B	Shell Assembly, Lower	-	1
	M11084-27	Screw, Hex hd., 10-12 x 1/2 in. (AP)	-	8	26	M11271-6	Nut, Tinnerman	6	8
2	M26548-1	Combustion Chamber Assy	1	-	27	M12828	Bracket, Shell Support	-	1
2	M23734-2	Combustion Chamber Assy.	-	1		M11084-29	Screw, Hex hd., 10-12 x 3/4 in. (AP)	-	4
	M11084-26	Screw, Hex hd., 10-12 x 3/8 in. (AP)	4	-	28	1000576	Grommet	3	2
	M11084-27	Screw, Hex hd., 10-12 x 1/2 in. (AP)	-	4	29	1000577	Grommet	1	2
3	M16656-3	Cell and Bushing Assy.	1	1	30	M12651-1	Clamp, Capacitor	-	1
4	M16660	Bracket, Photo cell	1	1	31	M11084-27	Screw, Hex hd., 10-12 x 1/2 in. (AP)	-	1
	M10908-1	Screw, Hex hd., 6-32 x 1/4 in.	2	2	32	M12650-1	Capacitor	-	1
5	M13942-5	Connector, Wire	-	2	33	M9900-77	Wire Assembly Capacitor	-	1
6	M19630	Filter Element	1	-	34	M25059	Bracket, Motor Support	1	-
7	M16790-14	Tube, Filter	1	-	34	M16645	Bracket, Motor Support	-	1
8	M13849	Nut, Flared	1	-	35	M11084-27	Screw, Hex hd., 10-12 x 1/2 in. (AP)	4	4
9	M16615-1	Wiring Harness Assembly	-	1	36	M16748	Terminal, Ignition	1	1
10	M27367-4	Burner Head Assembly (See figure 14 for details)	1	-	37	M16697	Transformer, 5000 volt	1	1
10	M23150-6	Burner Head Assembly (See figure 14 for details)	-	1		M11084-27	Screw, Hex hd., 10-12 x 1/2 in. (AP)	2	2
11	M11084-26	Screw, Hex hd., 10-12 x 3/8 in. (AP)	3	-	38	M16841-16	Wire Assembly, Relay	1	-
11	M11084-27	Screw, Hex hd., 10-12 x 1/2 in. (AP)	-	3	38	M9900-62	Wire Assembly, Relay	-	1
12	M25021	Air Line	1	-	39	M16841-15	Wire Assembly, Relay	1	-
12	M23753	Air Line	-	1	39	M9900-80	Wire Assembly, Relay	-	1
13	M12461-27	Screw, Hex hd., 10-32 x 1/2 in.	-	1	40	M28898-01	Safety Control Assembly	1	1
14	M24717	Clamp, Air Line	-	1	40A	M28897-01	. Trigger Assembly	1	1
15	WLM-3	Lockwasher	-	1	40B	M28748	. Circuit Breaker	1	1
16	NPF-3C	Nut, Plain, No. 10-32	-	1	41	M25061-1	Relay, Motor Starting	1	-
17	M25645-2	Strap, Retainer	1	-	41	M12462-6	Relay, Motor Starting	-	1
17	M16871	Strap, Retainer	-	1		RC2-2.5C	Screw, Rd hd., 8-32 x 5/16 in. (AP)	1	-
18	M11084-26	Screw, Hex hd., 10-12 x 3/8 in. (AP)	2	-		RC2-2C	Screw, Rd hd., 8-32 x 1/4 in. (AP)	-	2
18	M11084-27	Screw, Hex hd., 10-12 x 1/2 in. (AP)	-	2		WLI-2	Lockwasher, No. 8	1	-
19	M28730	Fan	1	-	42	M25035	Bracket, Motor start	1	-
19	M27982	Fan	-	1	42	M25296-1	Bracket, Safety, Control	-	1
	SF4-2-1/2K	Setscrew, Socket hd., cup pt., 1/4-20	2	2		M11084-26	Screw, Hex hd., 10-12 x 1/2 in. (AP)	1	-
20	M25023-1	Motor Package Assembly (See figure 15 for details)	1	-		M11084-27	Screw, Hex hd., 10-12 x 1/2 in. (AP)	-	1
20	M17875-9	Motor Package Assembly (See figure 15 for details)	-	1	43	M13942-2	Connector, Wire	2	3
21	M16661	Clamp, Motor (AP)	4	4	44	M15995-2	Plug, Button	-	1
22	HC4-10C	Screw, Hex hd., 1/4-20 x 1-1/4 in. (AP)	2	2	45	M10813-38	Extension Cord Assembly	1	-
23	WLM-4	Lockwasher, 1/4 in.	2	2	45	M10813-33	Extension Cord Assembly	-	1
					46	M11143-1	Bushing, Strain Relief	1	-
					46	M11954	Bushing, Strain Relief	-	1
					47	M27553-04A	Fuel Tank Assembly	1	-
					47	M27547-01A	Fuel Tank Assembly	-	1
					48	M27417	Plug, Drain	1	1
					49	M18053	Screen, Filler Neck	1	1
					50	M23284	Cap, Filler Neck	1	1
					51	M10990-3	Bushing, Rubber	1	1

Fig. & Index No.	Part Number	Part Name	DKV60S	DKV125S
15-	M25023-1	Motor Package Assembly	1	-
	M17875-9	Motor Package Assembly	-	1
1	M16545	. End Cover, Filter	1	1
2	*M12461-31	. Screw, Hex hd., No. 10-32 x 1 (AP)	4	4
3	*WLI-3	. Lockwasher, Internal No. 10 (AP)	4	4
4	M12179	. Intake Air Filter	1	1
5	M12244-1	. Output Filter Assembly	1	1
6	M16637	. Filter, Lint	1	1
7	M12233	. Front Cover, Pump (Port Plate)	1	1
8	*M12461-32	. Screw, Hex hd., No. 10-32 x 1-1/8 (AP)	6	-
8	M12461-34	. Screw, Hex hd., No. 10-32 x 1-1/2 (AP)	-	6
9	WLI-3	Lockwasher, Internal (AP)	6	6
10	M8643	. Blade, Pump	4	-
10	M8643-3	. Blade, Pump	-	4

Fig. & Index No.	Part Number	Part Name	DKV60S	DKV125S
11	M22456-1	. Rotor, Pump	1	1
11	M22456-3	. Rotor, Pump	-	1
12	M22009	. Insert, Rotor	1	1
13	M8645	. Body, Pump	1	-
13	M8645-3	. Body, Pump	-	1
14	*FHPF3-4C	. Screw (Pump Body to Motor)	2	-
14	FHPF3-7C	. Screw (Pump Body to Motor)	-	2
15	69248	. Elbow, 90°	1	-
15	M5976	. Connector, Male	-	1
16	M22997	. Plug	1	1
17	M27694	. Screw, Pressure Adjustment	1	1
18	M10993-1	. Spring, Compression (Pressure Relief)	1	1
19	M8940	. Ball, 1/4 in. dia.	1	1
20	M25022-1	. Motor	1	-
20	M17814-6	. Motor	-	1

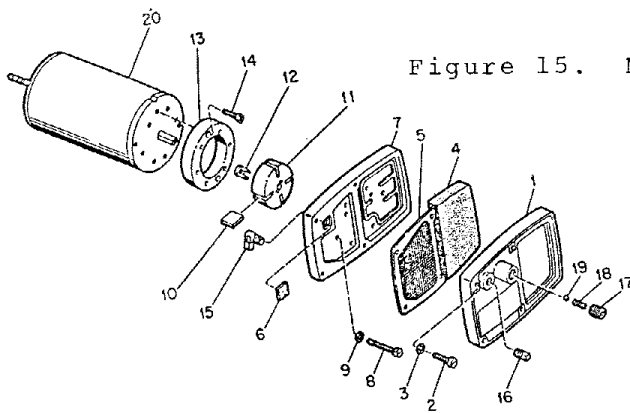


Figure 15. Motor Package Assembly

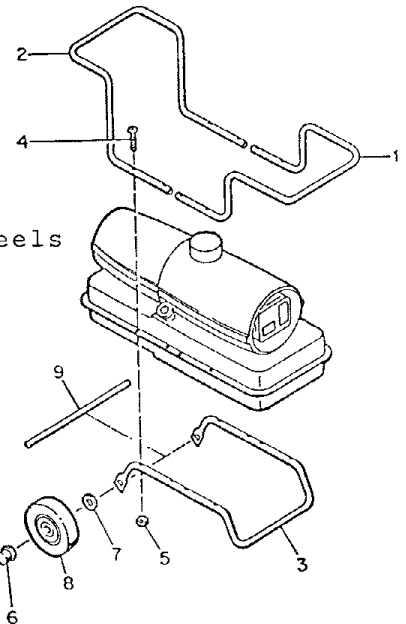


Figure 16. Handles & Wheels

HANDLES AND WHEELS

Fig. & Index No.	Part Number	Part Name	DKV60S	DKV125S
16-	M26203-3	Handle, Front	1	-
1	M14244-3	Handle, Front	-	1
2	M26204-3	Handle, Rear	1	-
2	M14243-3	Handle, Rear	-	1
3	M26205-3	Frame, Wheel Support	1	-
3	M12831-3	Frame, Wheel Support	-	1
4	M12345-34	Screw, Oval hd., 10-24 x 2 in.	8	8
5	NTC-3C	Nut, Torque Lock No. 10-24	8	8
6	M28526	Nut, Cap	2	2
7	WP-8C	Washer, Flat 1/2 in.	2	2
8	M26306	Wheel	2	-
8	M19295	Wheel	-	2
9	M16801-6	Axle	1	-
9	M16801-2	Axle	-	1