

KNIPCO PORTABLE HEATER MODEL F-50 & F-50 Deluxe  
 Spec. No. 2992G4, 2992G19 and 3061G02  
 Form No. 2663 (10/70)

Figure 16. Handle Arrangements

Index No.	Part Number	Part Name or Description	
1	*RPC4-18C	Screw, Rd. hd., 1/4-20 x 2-1/4	2
2	M12440-A	Handle (Square bar)	1
3	M12439B	Support, Handle	1
4	*M10908-58	Screw, Self-tapping, Hex hd., No. 10-24 x 1-1/2 in., Type "S"	2

\* Standard hardware - Obtainable locally.

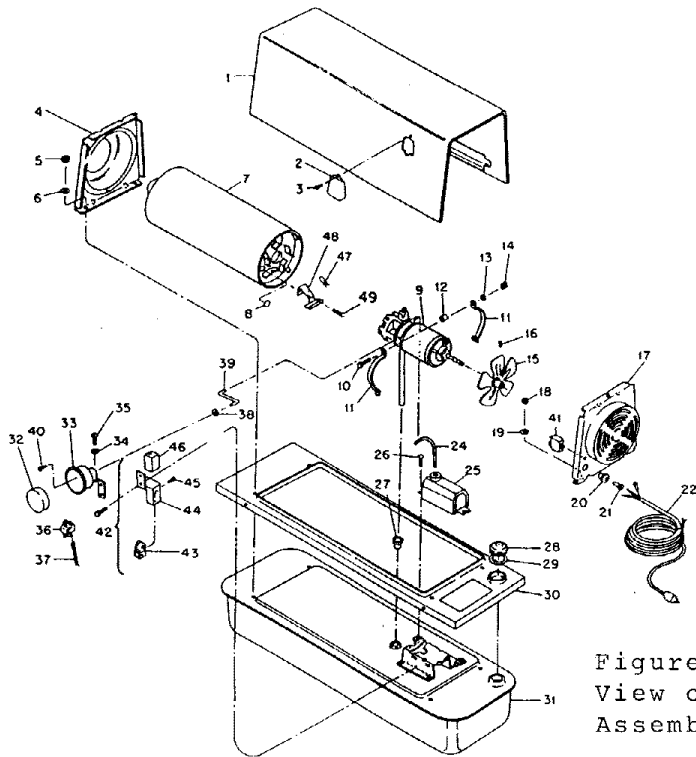


Figure 14. Exploded View of General Assembly

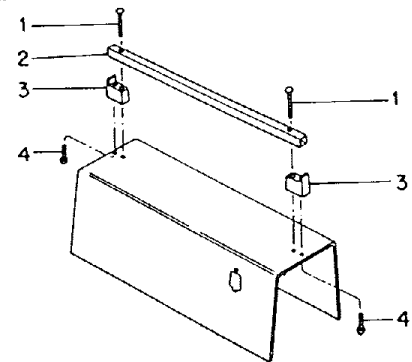


Figure 16. Handle Arrangements

Figure 13. Wiring Diagram for Deluxe Heaters

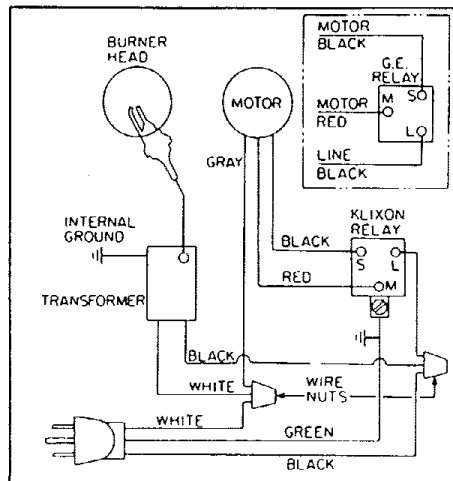
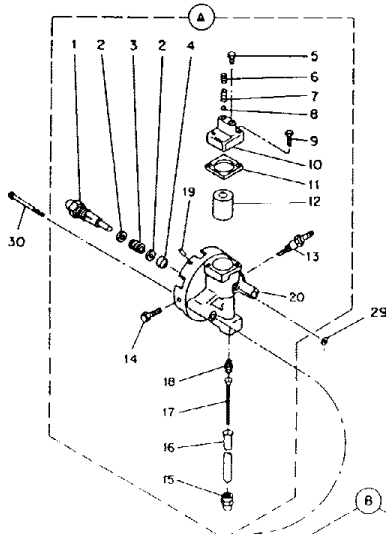
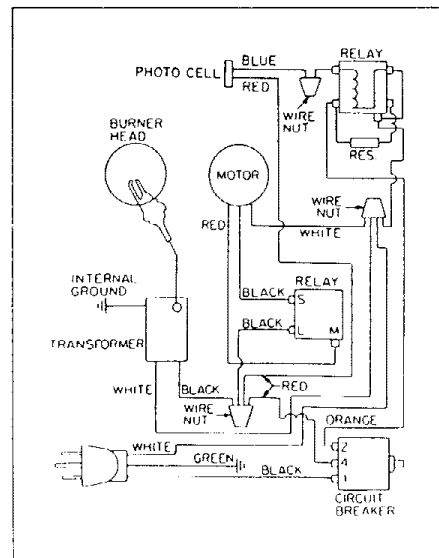
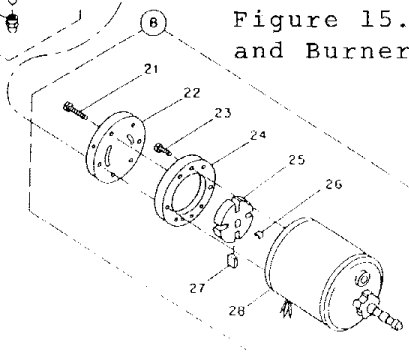


Figure 9. Wiring Diagram for Standard Heaters  
 (See Figure 13 for Deluxe Heater Wiring Diagram.)

Figure 15. Motor, Pump and Burner Head Assembly



KNIPCO PORTABLE HEATER MODELS F-50 and F-50 Deluxe  
 Spec. No. 2992G4, 2992G19 and 3061G02 Form. No. 2663 (10/70)

PARTS LIST FOR FIGURE 14, BASIC HEATER ASSEMBLY

Index No.	Part Number	Part Name or Description	Quan. Spec. No.		
			2992G4	2992G19	3061G2
1	M12436G1	Housing, Heater	1	1	1
	M21815B	Housing Heater	-	-	1
	*M11084-27	Screw, Self tapping, hexhd. 10-12 x 1/2 in.	-	-	6
	M11271-6	Nut, Tinnerman	-	-	6
2	M12568	Cover, Filter	1	1	-
	M21816-1B	Cover Assy	-	-	1
	M21817	Gasket	-	-	1
3	*M10908-2	Screw, Hex hd, slotted No. 6-32 x 3/8 in., Type "S"	1	1	1
4	M15767G1B	End Cap and Nose Cone	1	1	1
5	*NPC-4C	Nut, Plain hex, 1/4-20	2	2	2
6	*WLI-4C	Lockwasher, Internal tooth, 1/4 in.	2	2	2
7	M15770G2	Combustion Chamber	1	1	1
8	M15995	Plug, Button	1	-	1
9	Ref	Motor Pump and Burner Head Assembly (See Figure 15)	1	1	1
10	*HC4-10C	Screw, Rd hd, 1/4-20 x 1-1/4 in.	2	2	1
11	M16661	Clamp, Motor	4	4	2
12	M13620	Spacer, Motor Clamp	2	2	-
13	*WLM-4C	Lockwasher, 1/4 in.	2	2	1
14	*NPC-4C	Nut, Plain hex, 1/4-20	2	2	1
15	*M12431	Fan, 20° Pitch	1	1	1
16	SFK4-2	Setscrew, Soc hd, cup pt, 1/4-28 x 1/4 in.	2	2	2
17	M12427G1B	Fan Guard Assy	1	1	1
18	*NPC-4C	Nut, Plain, Hex 1/4-20	2	2	2
19	*WLI-4C	Lockwasher, Internal tooth, 1/4 in.	2	2	2
20	M11143-1	Bushing, Strain relief	1	1	1
21	M13942-4	Connector (Wire Nut)	-	-	2
22	M10813G37	Cord Service (Extension)	1	-	1
23	M10813C38	Cord Service (Extension)	-	1	-
	-	Not Used			

Index No.	Part Number	Part Name or Description	Quan. Spec. No.		
			2992G4	2992G19	3061G2
24	M10816G15	Lead, Electrode (Not used with transformer No. M13277-1)	1	1	1
25	M15063	Transformer (Alternates: M14291, M13277-1 and M14241)	1	1	1
26	*M15823-26	Screw, Hex hd No. 10-12 x 3/8 in., Type "B"	2	2	2
27	M10990-3	Bushing, Rubber	1	1	1
28	M11151-1	Cap, Fuel tank filler	1	1	1
29	M14246	Seal, Rubber	1	1	1
30	M12424B	Skirt, Fuel tank	1	1	1
31	M10716G1A	Fuel Tank Assy	1	1	1
	**M11146-1	Element, Intake air filter	1	1	-
33	M17018G1	Filter Body and Bracket Assy	1	1	-
	M17019	Bracket, Filter	-	-	1
34	WLI-2C	Lockwasher, No. 8	2	2	2
35	*RC-2C	Screw, Rd hd., No. 8-32 x 1/4 in.	1	1	1
	*RC2-3C	Screw, Rd hd., No. 8-32 x 3/8 in. (For ground wire)	1	1	1
36	M12462-5	Relay, Motor starting	1	1	1
37	M9900G37	Wire Assy (to Relay)	1	1	1
38	M13293	Grommet, Rubber	1	1	-
39	M12432	Tube, Air intake	1	1	-
40	*M11084-27	Screw, Self-tapping, Hex hd No. 10-12 x 1/2 in., Type "A"	2	2	2
41	M14360	Circuit Breaker	-	1	-
42	M14379G2	Relay and Bracket Assy	-	1	-
43	M14378G3	Relay Assy, Control	-	1	-
44	M14370	Bracket, Relay	-	1	-
45	M12461-2	Screw, Hex hd No. 6-32 x 3/8 (Relay Mtg)	-	1	-
46	M14583	Dust Cover, Relay	-	1	-
47	M16656G1	Photocell and Bushing Assy	-	1	-
48	M16660	Bracket, Photocell	-	1	-
49	*M10908-1	Screw, Self-tapping, hex hd No. 6-32 x 1/4 in. Type S	-	1	-
	M9900G36	Wire Assy, Red	-	1	-
	M13942-2	Connector, Wire	-	1	-
	M13942-4	Connector, Wire	-	2	-

PARTS LIST FOR FIGURE 15, MOTOR, PUMP AND BURNER HEAD ASSEMBLY

Index No.	Part Number	Part Name	Quan.
	M19115-1	Motor, Pump and Burner Head Assy	1
(A)	M19113-1	Burner Head Assy	1
1	M11054-1	Nozzle, Siphon	1
2	M10659-1	Washer, Nozzle seal	2
3	M10809-1	Spring, Nozzle seal	1
4	M8882	Sleeve	1
5	M10837	Plug, Hex hd.	1
6	M10992-1	Screw, Adjusting	1
7	M10993-1	Spring, Pressure relief	1
8	M8940	Ball	1
9	*M12461-54	Screw, Hex hd., No. 10-24 x 7/8 in.	2
10	M12576	Body Valve	1
11	M12577	Gasket	1
12	M15241	Output Filter Element	1
13	M16896G1	Spark Plug Assy	1
14	*M10908-38	Screw, No. 12-24 x 3/8 in., Type S	1
15	M13849	Nut, Flared	1

Index No.	Part Number	Part Name	Quan.
16	M16790	Tube, Fuel Filter	1
17	M17460	Filter, Fuel	1
18	M16791	Connector, Male	1
19	ROP12-8	Roll Pin	4
20	M19112	Body, Burner Head	1
(B)	M19114-1	Motor and Pump Assy	1
21	*FHFP3-8C	Screw, Fib. hd., No. 10-32 x 1 in.	4
22	M12430	End cover pump	1
23	*FHFP3-4C	Screw, Fil. hd., No. 10-32 x 1/2 in.	2
24	M8645	Pump, Body	1
25	M11959	Pump, Rotor	1
26	M11965-5	Spring, Pump Rotor	1
27	M8643	Blade	1
28	M17941	Motor	1
29	M13372	Seal (O-Ring)	1
30	*FHFP3-20C	Screw, Fil. hd., No. 10-32 x 2-1/2 in.	2

\* Standard hardware - Obtain locally.