

Figure 7. Exploded View, Models F-80, F-85 and F-88 Portable Heaters

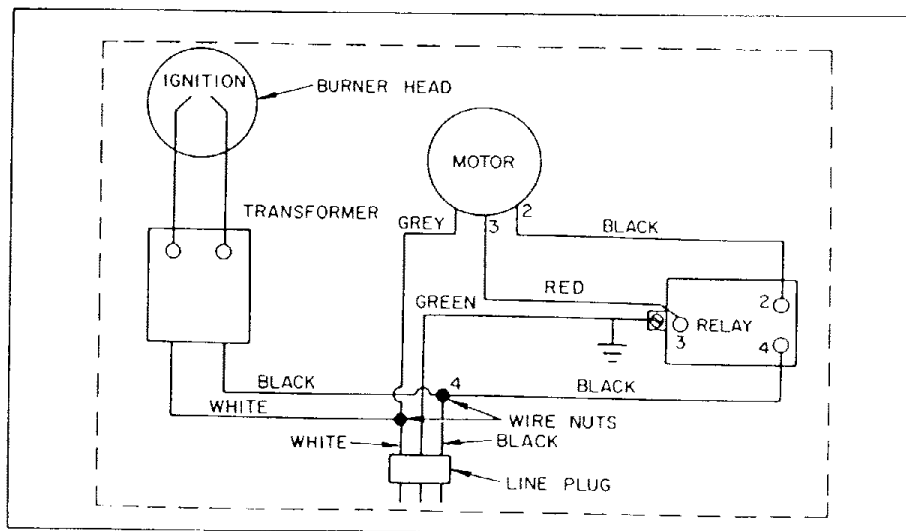


Figure 2. Wiring Diagram

KNIPCO PORTABLE HEATER MODELS F-80, F-85 and F-88
 Form No. 2079 (10/66)

(75,000 BTU)

Index No.	Part Number	Part Name	Units Per Assy		
			Model F-80	Model F-85	Model F-88
1	M8634	Fuel Tank -	1	1	-
1	M10780G1	Fuel Tank	-	-	1
2	M3353	Cap, Fuel Tank	1	1	1
3	ST4-4B	Screw, Hex hd, Self-tapping	** 4	-	-
3	ST-14-4	Screw, Hex hd, Self-tapping	** -	4	-
3	M11084-16	Screw, Hex hd, Self-tapping	** -	-	2
4	1000576	Grommet	1	1	1
5	M8796	*Fuel Filter	1	1	-
5	M10808G1	*Fuel Filter	-	-	1
6	STP3-3	Screw, Self-tapping	** 1	-	-
6	STP3-4	Screw, Self-tapping	** -	2	-
6	M10908-30	Screw, Self-tapping	** -	-	2
7	M8890	Drain Plug	1	1	-
7	M8257	Drain Plug	-	-	1
8	M8635	*Cover	1	1	-
8	M10782	*Cover	-	-	1
9	ST2-3B	Screw, Self-tapping	** 4	4	-
10	WP-4	Washer, Flat	** 4	4	2
11	M8637	Shell, Outer	1	1	-
11	M10805G1	Shell Assembly, Outer	-	-	1
12	1000576	Grommet	2	2	2
13	M3530	Grommet	1	1	1
14	M9127	Nut, Tinnerman	2	2	-
14	M5233	Nut, Tinnerman	-	-	2
15	M8626	Combustion Chamber	1	1	-
15	M10828G1	Combustion Chamber	-	-	1
16	STP3-3	Screw, Self-tapping	** 1	1	-
17	M8789	*Burner Head Assembly	1	1	-
17	M8789G1	*Burner Head Assembly	-	-	1
18	M8716	. Body, Burner	1	-	-
18	M9844	. Body, Burner	-	1	1
19	M8667	. Nozzle	1	1	1
20	69251	. Elbow, 90°	1	1	-
20	M9181	. Elbow, 90°	-	-	1
21	M8994	. Plug, Pipe	1	1	1
22	M8882	. Sleeve	1	1	1
23	M8958	. Nut, Gland	1	1	1
24	M8989	*. Electrode, Left Hand	1	1	1
24	M8990	*. Electrode, Right Hand	1	1	1
25	M3980	. Bushing	2	-	-
25	M9788	. Bushing	-	2	2
26	69249	. Connector	1	1	1
27	ROP12-8	. Rollpin	2	2	2
28	RF3-3C	. Screw, Rd hd	** 3	3	-
28	HF3-3	. Screw, Hex hd	** -	-	3
29	M8658G1	*Fuel Line Assembly (Filter to Burner)	1	1	1
30	M8628	Cowl	1	1	1
31	ST2-3B	Screw, Self-tapping	** 2	2	-
31	M10908-14	Screw, Self-tapping	** -	-	2
32	WLI-2	Lockwasher	2	2	2
33	M8633	*Door, Access	1	1	-
33	M8633-1	*Door, Access	-	-	1
34	ST-2-3	Screw, Rd hd, Self-tapping	** 2	-	-
34	ST-2-4	Screw, Rd hd, Self-tapping	** -	2	-
34	M10908-27	Screw, Rd hd, Self-tapping	** -	-	2
35	WLI-2	Lockwasher	** 2	2	2
36	M8641 <i>1/2</i>	Motor Package Assy	1	1	1
37	M10815-1	. Motor and Pump Assy	1	1	1
38	M9916	. Motor and Pump Body Assy	1	1	1
39	M9981	. Pump Parts Package	1	1	1
40	M8644 <i>1/4</i>	. Rotor	1	1	1
42	M8646 <i>1/8</i>	. Cover, End	1	1	1
43	M8643	. Blades, Carbon	4	4	4
44	M8877	. Pin, Rotor	1	1	1
45	FHPF3-12	. Screw, Filister hd.	** 4	4	4
46	M3962	. Washer, Lock	** 6	6	6
47	M8769	*. Cleaner, Air	1	1	1
47A	M9191	*. Filter Cover	1	1	1
48	M10257	. Casket	1	1	1
49	M9791G1	*. Filter, Output	1	1	1
50	M9716	*. Block	1	1	1
51	HF4-4C	. Screw, Hex hd	** 1	1	1
51A	M9767	. Bowl	1	1	1
52	M9942G1	*. Filter (Felt)	1	1	1

KNIPCO PORTABLE HEATER MODELS F-80, F-85 and F-88
Form No. 2079 (10/66)

(75,000 BTU)

Index No.	Part Number	Part Name	Units Per Assy		
			Model F-80	Model F-85	Model F-88
52A	M8784	. . Gasket	1	1	1
53	M9769	. . Gasket	1	1	1
53A	M9770	. . Washer	1	1	1
54	FHPF3-14	. Screw, Filister hd	** 2	2	2
55	M8943G1	. Valve, Pressure Relief	1	1	1
56	M8992	. Cap, Seal	1	1	-
57	M9131	. Plug	1	1	-
57	M10837	. Plug	-	-	1
58	M9132	. Elbow, 90°	1	1	1
59	M8948G1	. Grille Assy	1	1	1
59A	M5233	. . Speed Nut	4	4	4
59B	M9949	. . Grille	1	1	1
60	RC2-3	. Screw, Rd. hd	** 4	4	4
61	WLE-2	. Lockwasher	** 4	4	4
62	ST3-4B	. Screw, Round hd	** 4	4	4
63	M9182G1	. Ring Assy, Grille Support	1	1	1
63A	RC3-10	. . Screw, Rd. hd.	** 1	1	1
63B	M5233	. . Speed Nut	1	1	1
63C	M9948	. . Ring, Grille Support	1	1	1
64	M8697	. Fan	1	1	1
65	M8800	Relay	1	1	1
66	ST-1-3B	Screw, Self-tapping	** 2	2	-
66	M10908-14	Screw, Self-tapping	** -	-	2
67	M8886	Nut, Tinnerman	2	2	2
68	M5052-34	Lead, Starting Relay to line	1	1	1
69	M8208-4	Tubing Polyform No. 8	3	3	3
70	M3259-4	*Transformer	1	1	1
71	NPC-4	Nut, Hexagon	** 2	2	2
72	WLM-4	Lockwasher	** 2	2	2
73	M8977	*Lead, Electrode	2	2	-
73	M10816G1	*Lead Assembly, Electrode	-	-	2
74	M8949	Strain Relief	2	2	2
75	M6916	Bushing	3	3	3
76	69321-61	Connector (Wire Nut)	2	2	2
77	M10813G1	Cord, Extension	-	-	1
77	M8935	Cord, Extension	1	1	-
78	69321-10	Terminal, Ground	1	1	-
78	69321-10S	Terminal, Ground	-	-	1
79	M8921	Leg, Front	1	1	-
79	M10801	Leg, Front	-	-	1
80	M8704	Plug Button	2	2	2
81	RF3-8C	Screw, Round hd.	** 8	8	-
81	M10908-32	Screw, Round hd.	** -	-	8
82	NLF-3	Nut, Hex	** 2	2	2
84	M8681	Air Line	1	-	-
84	M9952G1	*Air Line	-	1	1
85	M8849	*Element, Filter	1	1	1
86	C4-8	Cotter Pin	2	2	2
87	WP-8	Washer	2	2	2

Index No.	Part Number	Part Name	Model F-80	Model F-85	Model F-88
88	M9146	Axle	1	1	-
88	M10804	Axle	-	-	1
89	M3976	Wheel	2	2	2
90	M11084-7	Screw	-	-	4
90	ST-3-1/2-8	Screw	4	4	-
91	M8889	Brace Assy	1	1	-
91	M10826G1	Brace Assy	-	-	1
92	M8922	Leg, Rear	1	-	-
92	M9329	Leg, Rear	-	1	-
92	M10802	Leg, Rear	-	-	1
	M8603	Decal, Filter	1	1	1
	M8987	Decal, Fuel tank drain	1	1	1
	M8953	Plate, Operating instructions	1	1	-
	M10882	Plate, Operating instructions	-	-	1
	M8986	Decal, Wiring diagram	1	1	1
	M9082	Nameplate, Knipco	1	-	-
	M9016	Decal, Knipco	1	1	-
	M10881	Decal, Knipco	-	-	1
	M10889	Nameplate	-	-	1
	M9816	Decal, Caution	-	1	1
	M9044	Thermostat Kit (Optional)	x	x	x

NOTE: The following parts were at one time used on the Model F-80 Heater, and were later superseded in production by similar parts in the above list. If a need exists to replace any of these parts, order a Part No. M8641 Motor Package Assy, or a Part No. M9791G1 Output Filter.

101	M8647	. Output Filter	1
102	M8651	. . Block	1
103	M8652	. . Stem, Filter	1
104	M8653	. . Filter, Felt	2
105	M8784	. . Gasket	1