

MASTER PORTABLE HEATER MODELS B-125 and B-125-C
Form 85B September 15, 1958

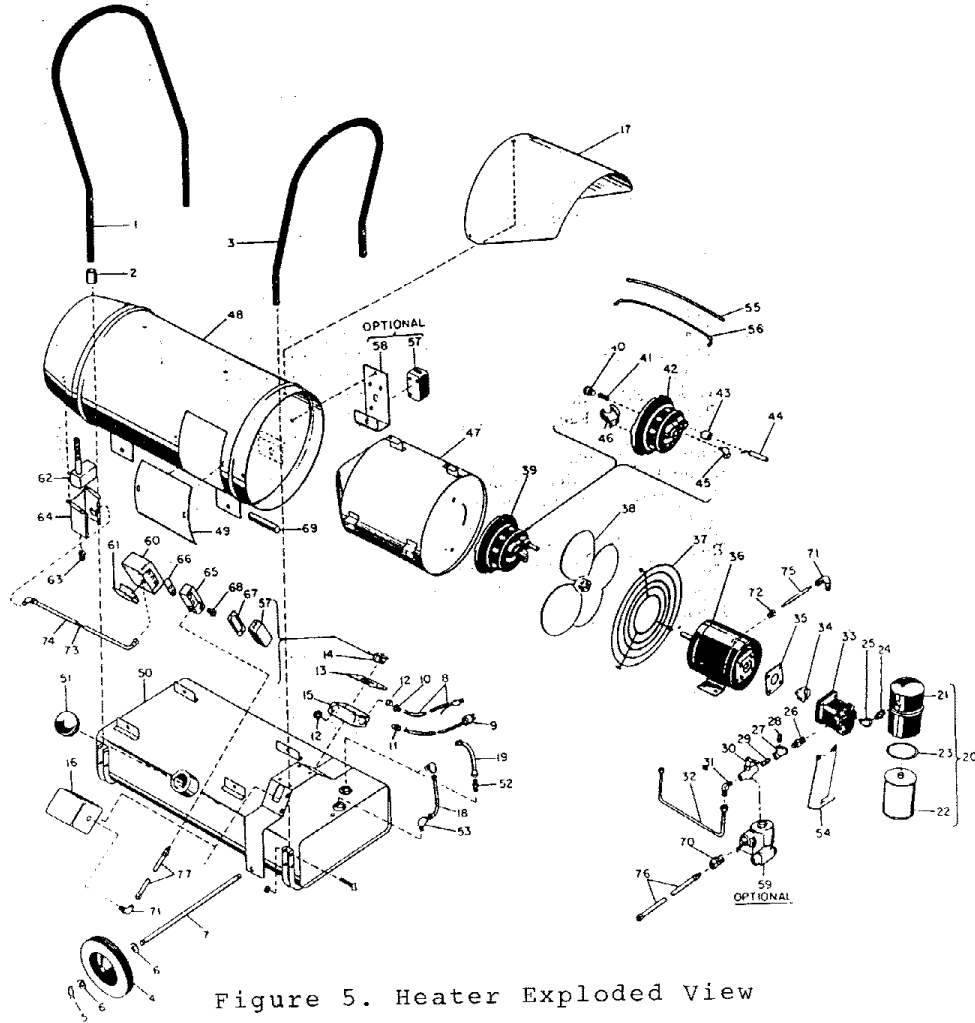


Figure 5. Heater Exploded View

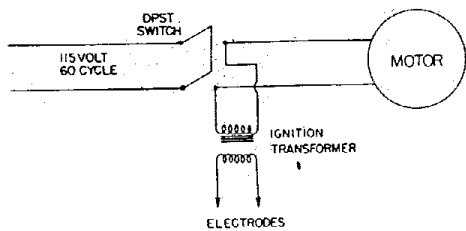


Figure 2. Wiring Diagram for Manually Controlled Heater

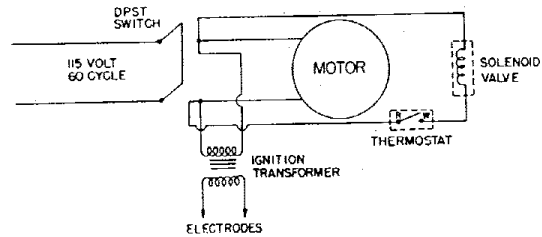


Figure 3. Wiring Diagram for Thermostatically Controlled Heater

Key to Figure 4:

- RI-Main relay contacts to motor
- PC-Purge contacts to motor
- R2-Relay holding contacts
- CCC-Stack control contacts in cold position
- CCH-Stack control contacts in hot position

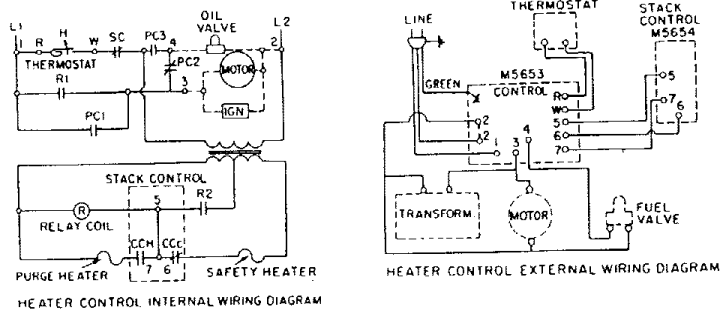


Figure 4. Wiring Diagram for Thermostatically Controlled Heater with Combustion Control Unit

PORTABLE HEATER PARTS LIST

Figure & Index No.	Part Number	Part Name	Units Per Assy	
			Domestic	Canadian
	M5628	Portable Heater Assy, Domestic	1	-
	M5656	Portable Heater Assy, Canadian	1	1
5-1	M4799-1	Front Handle	1	1
5-2	M3304	Rubber Tip	2	2
5-3	M3284-1	Rear Handle	1	1
5-4	M3976	Wheel	2	2
5-5	C4-8	Cottin Pin	2	2
5-6	WP8	Washer	4	4
5-7	M3100	Axle	1	1
5-8	M5164-1	Extension Cord	1	-
5-9	M3490	Service Cord	-	1
5-10	1001349	Straight Connector	1	-
5-11	M5285	Straight Connector, 1/2 in.	-	1
5-12	1000577	3/4" Grommet	3	1
5-12	1000576	1/2" Grommet (Electrode leads)	2	2
5-13	M3308	Switch Box Cover	1	-
5-14	M3480	Switch	1	-
5-15	M3307	Switch Box	1	-
5-16	M3259	Transformer <i>M27827-3</i>	1	-
5-16	M3259-1	Transformer	-	1
5-17	M3364	Cowl	1	1
5-18	M3334-8	Tank to Filter Intake Fuel Line Assy	1	1
5-19	M3334-8	Pump to Tank Fuel Line Assy	1	1
5-20	M3973	Filter Assy	1	1
5-21	M4307	Filter Can (Replacement)	1	1
5-22	M3301-1	Filter Element (Replacement)	1	1
5-23	M3301-2	Filter Gasket (Replacement)	1	1
5-24	M3463	Nipple	1	1
5-25	57413	Street Elbow	1	1
5-26	M3297	Reducing Nipple	1	1
5-27	69255	Tee	1	1
5-28	57419	Pipe Plug	1	1
5-29	69246	Nipple	1	1
5-30	M3296	Fuel Valve	1	-
5-31	M2294	Elbow	1	1
5-32	M3475	Pump to Burner Fuel Line Assy	1	1
5-33	M3940-1	Pump	1	1
5-34	M3473	Coupling	1	1
5-35	M3547	Fuel Pump Gasket	1	1
5-36	M3909	Motor	1	-
5-36	M3910	Motor	-	1
5-37	M3247	Fan Guard	1	1
5-38	M3243	Fan	1	1
5-39	M4840	Burner Head Assy	1	1
5-40	M4792	Nozzle	1	1
5-41	M4274	Nozzle Spring	1	1
5-42	M3853	Burner Body	1	1
5-43	M3980	Electrode Bushing	2	2
5-44	M3981	Electrode	2	2
5-45	M2294	Elbow	1	1
5-46	M3978	Air Deflector	1	1
5-47	M3908-1	Combustion Chamber Assy	1	1
5-48	M3286-1	Housing Assy	1	1
5-49	M3291	Access Door	1	1
5-50	M4791-1	Fuel Tank Assy	1	1
5-51	M3353	Filler Cap	1	1
5-52	M2436	Connector, 1/4" pipe to 1/4" tube	1	1
5-53	M2438	Elbow, 1/4" pipe to 1/4" tube	1	1
5-54	M3526	Pump Support Bracket	1	1
5-55	M3299	Electrode Lead Assy (For Standard Heaters)	2	-
5-56	M3429-2	Electrode Lead Assy (For CSA Heater)	-	2
5-57	M4037	Thermostat	•	1
5-58	M3530	Thermostat Bracket	•	-
5-59	M3974-1	Solenoid Valve	•	1
5-60	M5653	Combustion Control	•	1
5-61	M3492	Combustion Control Bracket	•	1
5-62	M5654	Flame Detector	•	1
5-63	M5829	Reset Knob	•	1
5-64	M5644	Cover	•	1
5-65	M3307	Junction Box	•	1
5-66	M5652	Spacer	•	1
5-67	M5649	Junction Box Cover	•	1
5-68	M3586	Bushing (With 50460 Lock Nut) Junction Box to Control	•	1
5-69	M3587	Duct	•	1
5-70	M5285	Straight Connector	•	5
5-71	M2739	90° Connector	•	3
5-72	M2738	Straight Connector	•	3
5-73	M5655	Cable Assy, Flame Detector to Combustion Control	•	1
5-74	M3438-10	Conduit, Flame Detector to Combustion Control	-	1
5-75	M3438-11	Conduit, Junction Box to Motor	-	1
5-76	M3438-8	Conduit, Junction Box to Solenoid	-	1
5-77	M3438-12	Conduit, Junction Box to Transformer	-	1

• Optional. Part of Combustion Control Kit, Part No. M5839.