

DECALS, HANDLES AND WHEELS

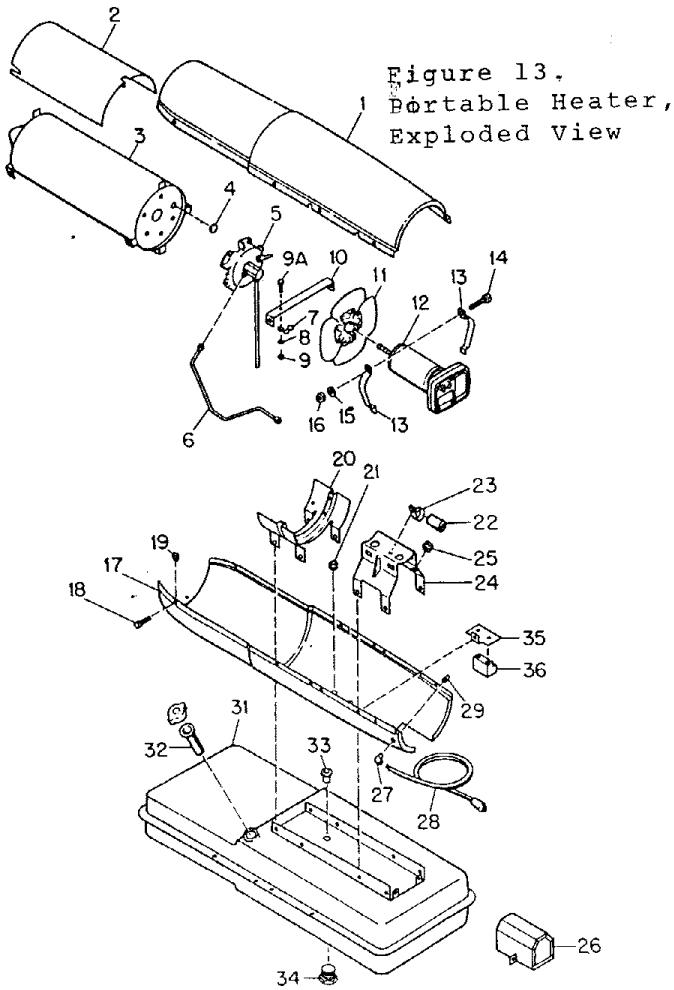


Fig. 15 Index No.	Part Number	Part Name or Description	B100KD	B150KD
1	M15131-3	Handle, Rear	1	-
	M14243-3	Handle,	-	1
2	M15131-3	Handle, Front	1	-
	M14244-3	Handle, Front	-	1
3	M12345-34	Screw, Handles and Wheel Support Frame to Fuel Tank	8	8
4	M12342-3	Wheel Support Frame	1	-
	M12831-3	Frame, Wheel Support	-	1
5	NTC-3C	Nut, Hex, 10-24 Torque Lock	8	8
6	M16801A	Axle	1	1
	M16801-2A	Axle	1	1
7	M19296 4	Wheel	2	2
8	WPC-8C	Washer, Flat	2	2
9	M28526	Nut, Cap		2

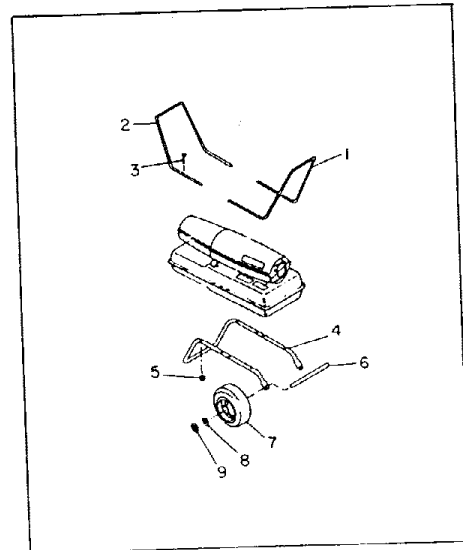


Figure 15. Handles and Wheels

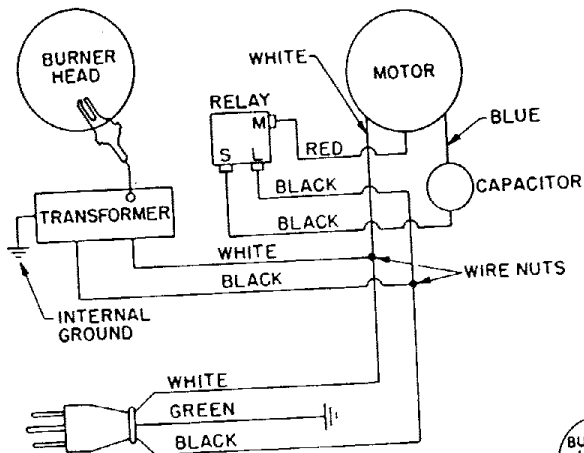
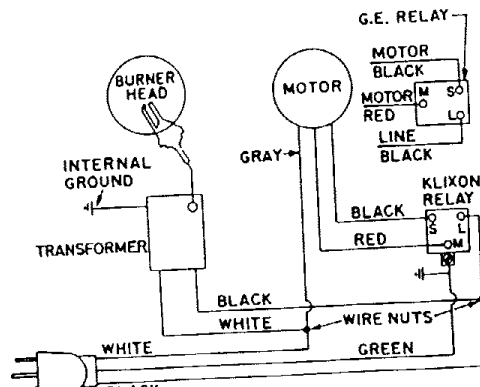


Figure 9. Wiring Diagram



MASTER PORTABLE HEATER MODELS B100KD and B150KD
Spec. No. 3114G25 and 3059G33 Form No. 3144

Fig. 16 Index No.	Part Number	Part Name or Description	Qty.	
			B100KD	B150KD
16-	M23149-7	Motor Package Assembly	1	-
	M17875-1	Motor Package Assembly	-	1
1	M16545	.. End Cover, Filter	1	1
2	M12461-31	.. Screw (Filter End Cover to Pump End Cover)	4	4
3	WLI-3	.. Lockwasher, Internal, No. 10	4	4
4	M12179	.. Intake Air Filter	1	1
5	M12244-1	.. Output Filter Assembly	1	1
6	M11637	.. Filter, Lint	1	1
7	M12233	.. End cover, Pump (Port Plate)	1	1
8	M12461-34	.. Screw (End Cover to Motor)	6	6
9	WLI-3	.. Lockwasher, Internal No. 10	6	6
10	M8643	.. Blade	4	-
10	M8643-3	.. Blade	-	4

Fig. 16 Index No.	Part Number	Part Name or Description	Qty.	
			B100KD	B150KD
	M22456-1	.. Rotor	1	-
11	M22456-3	.. Rotor	-	1
12	M22009	.. Insert	1	1
13	M8645	.. Body, Pump	1	-
13	M8645-3	.. Pump Body	-	1
14	FHPF3-4C	.. Screw (Pump body to motor)	2	1
14	FHPF3-7C	.. Screw (Pump body to motor)	1	2
15	69248	.. Elbow	1	-
15	M5976	.. Connector, Male	-	1
16	M22997	.. Plug	1	1
17	M27694	.. Screw, Pressure Adjustment	1	1
18	M10993-1	.. Spring, Compression (Pressure Relief)	1	1
19	M8940	.. Ball, 1/4 in. dia.	1	1
20	M30718-01	.. Motor	1	-
21	M17814	.. Motor	-	1

BURNER HEAD ASSEMBLY

Fig. 14 Index No.	Part Number	Part Name or Description	Qty.	
			B100KD	B150KD
14-	M23150-1	Burner Head Assembly	1	-
	M16803-4	Burner Head Assembly	-	1
1	M167900-8	.. Filter, Tube	1	-
	M1670-12	.. Tube, Filter	-	1
2	M19630	.. Filter, Fuel	1	1
3	M13849	.. Nut, Flared	1	1
4	M16741-18	.. Ring, Retaining	1	1
	M23151-1	.. Nozzle Adapter Assy.	1	-
	M16787-3	.. Nozzle Adapter Assy.	-	1
5	M16791	.. Connector, Male	1	1
6	M5976	.. Connector, Male	1	1
7	M8882	.. Sleeve, Nozzle Seal	1	1
8	M10659-1	.. Washer, Nozzle Seal	2	2
9	M10809-1	.. Spring, Nozzle Seal	1	1
10	M23103	.. Nozzle, Aspirating	1	-
	M18022	.. Nozzle, Aspirating	-	1
11	M16535	.. Adapter, Nozzle	1	1
12	M10962-2	.. Spark Plug	1	1
13	M16534	.. Body, Burner Head	1	-
	M23090	.. Body, Burner Head	-	1

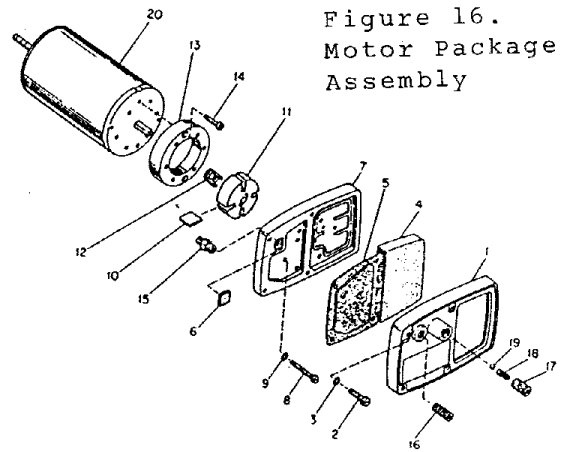


Figure 16.
Motor Package
Assembly

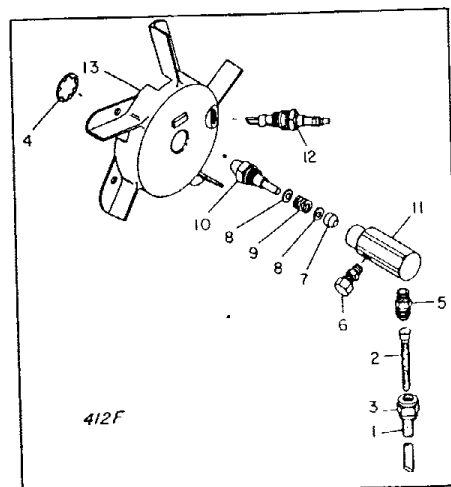


Figure 14. Burner Head Assembly

BASIC HEATER ASSEMBLY

Fig. 13 Index No.	Part Number	Part Name or Description	Qty.		Fig. 13 Index No.	Part Number	Part Name or Description	B100KD	B150KD
			B100KD	B150KD					
1	M13134-3A	Shell, Upper	1	-	22	M12650-1	Capacitor	-	1
1	M17015-1A	Shell, Upper	-	1	23	M12651	Clamp, Capacitor Mounting	-	1
2	M16679	Deflector, Heat	-	1	-	M11084-27	Screw	-	1
3	M16781-4	Combustion Chamber	1	-	-	ST2-8B	Screw (M16708 Clamp)	-	(1)
-	M16887-6	Combustion Chamber	-	1	24	M25059-02	Bracket, Motor Support	1	-
-	M11084-27	Screw (Combustion Chamber attaching, front)	2	2	-	M16645	Bracket, Motor Support	-	1
-	M11084-29	Screw (Combustion Chamber attaching, rear)	2	2	-	M11084-27	Screw (Motor Support Bracket to Lower Shell and Fuel Tank)	6	6
4	M15995	Plug Button (Rear head of combustion chamber)	1	1	25	1000576	Grommet (Motor Leads thru Motor Support Bracket)	1	1
5	Ref	<u>Burner Head Assembly</u> (See Figure 14)	1	1	-	1000577	Grommet (Motor and Capacitor Leads thru Motor Support Bracket)	-	2
-	M11084-27	Screw (Burner Head to Combustion Chamber)	3	3	-	M15823-26	Screw	-	2
6	M16879	Air Line	1	-	26	M16697	Transformer, 5000-Volt	1	1
-	M16804	Air Line	-	1	-	M11084-27	Screw (Transformer to motor support bracket)	2	2
7	M24717	Clamp, Tube	1	1	27	M11143-1	Bushing, Strain Relief (Service cord to lower shell)	1	1
8	WLM-3	Lockwasher	1	1	28	M10813-21 M15779-21	Service (Extension) cord	1	-
9	NPF-3C	Nut, Plain, 10-32	1	1	-	M15779-19	Service (Extension) cord	-	1
9A	M12469-27	Screw (Air Line Clamp)	1	1	29	M13942-5	Connector (Wire Nut)	2	2
10	M15807	Strap, Retainer	1	-	31	M27552-01A	Fuel Tank	1	-
-	M16871	Strap, Retainer	-	1	31	M27547-01A	Fuel Tank	-	1
-	M11084-27	Screw (Strap to Shell)	2	2	-	M23284	Cap, Fuel Tank,	1	1
11	M23147	Fan	1	-	32	M18053	Screen, Filler Neck	1	1
-	M17058	Fan	-	1	33	M10990-3	Bushing, Rubber (Fuel Filter into Fuel Tank)	1	1
-	SF4-2-1/2K	Setscrew, Soc. hd., cup pt., 1/4-28 (Fan to motor shaft)	2	2	34	M27417	Plug, Pipe BRACK	1	1
12	Ref	<u>Motor Package Assembly</u> (See Figure 15)	1	1	35	M11952	Bracket, Starting Relay Mounting	1	1
13	M16661	Clamp, Motor	4	4	-	M11084-27	Screw (Relay Mounting Bracket to Lower Shell)	1	1
14	HC4-10C	Screw (Motor Clamps)	2	2	36	M12462-16	Relay, Starting	1	-
15	WLM-4	Lockwasher, 1/4 in. (Motor Clamps)	2	2	-	M12462-6	Relay, Starting	-	1
16	NPC-4C	Nut, Hex, 1/4-20 (Motor Clamps)	2	2	-	RC2-2C	Screw (Starting Relay to Mounting Bracket)	2	2
17	M16777A	Shell, Lower	1	-	-	WLI-2	Lockwasher, Internal No. 8	2	2
18	M16810A	Shell, Lower	-	1	-	ST2-2AC	Screw (Grounding Wire Assy, Black (to Starting Relay)	1	1
19	M11084-27	Screw (Upper Shell to Lower Shell)	6	8	-	M9900-62	Wire Assy., Black (to Starting Relay)	1	1
20	M11271-6	Nut, Tinnerman (Upper Shell to Lower Shell)	6	8	-	M9900-77	Wire Assy., Black to Capaci- tor)	-	1
21	M12330	Bracket, Shell Support	1	-	-	-	-	-	-
-	M12828	Bracket, Shell Support	-	1	-	-	-	-	-
-	M11084-27	Screw (Support Bracket to Lower Shell and Fuel Tank)	4	6	-	-	-	-	-
-	M11084-29	Screw (Lower Shell to Support Bracket)	2	2	-	-	-	-	-
21	1000576	Grommet (Ignition Cable thru Lower Shell)	2	1	-	-	-	-	-