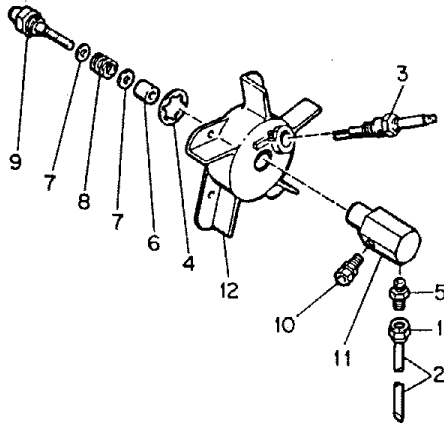
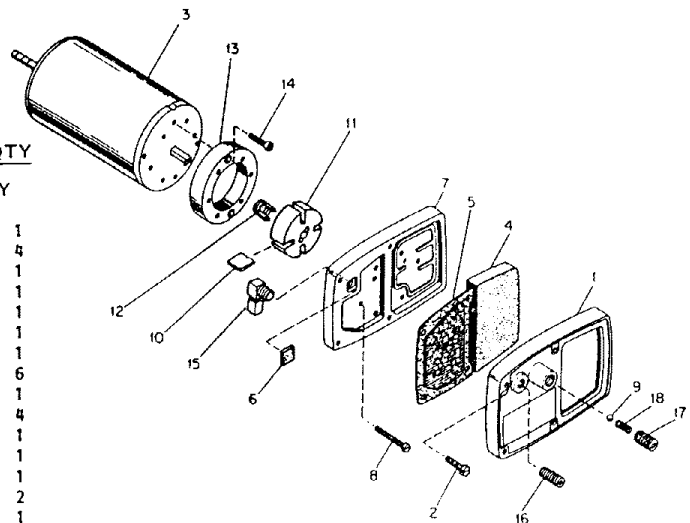


MASTER PORTABLE HEATER MODEL BC66
 FA4324-1 M50092-47 REV. A



KEY NO.	PART NUMBER	PART DESCRIPTION	QTY
	M23443-4	BURNER HEAD ASSEMBLY	
1	M13849	Flared Nut	1
2	M16789-8	Fuel Filter Assembly	1
3	M10962-2	Spark Plug	1
4	M16741-18	Retaining Ring	1
5	M5976	Male Connector	1
6	M8882	Sleeve	1
7	M10659-1	Washer	2
8	M10809-1	Nozzle Seal Spring	1
9	M26316	Nozzle	1
10	M16791	Male Connector	1
11	M16535	Nozzle Adapter	1
12	M25020	Burner Head Body	1

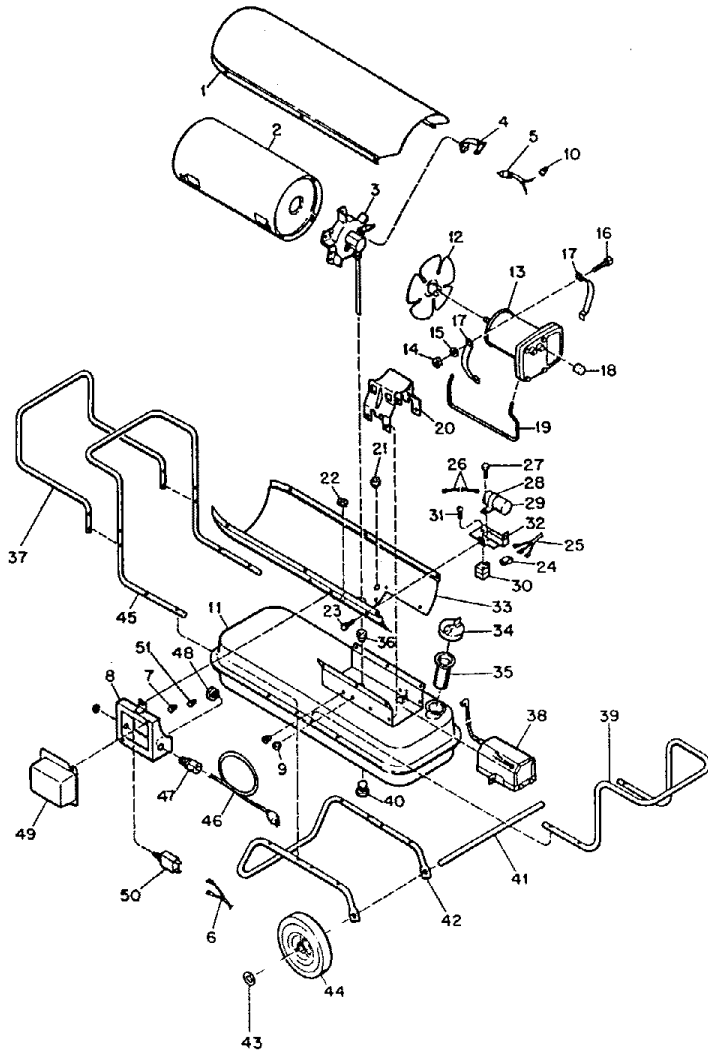
KEY NO.	PART NUMBER	PART DESCRIPTION	QTY
	M25023-1	MOTOR AND PUMP ASSEMBLY	
1	M16545	Filter End Cover	1
2	M12461-31	Screw (10-32 X 1)	4
3	M25022-1	Motor	1
4	M12179	Intake Filter	1
5	M12244-1	Filter Assembly	1
6	M11637	Lint Filter	1
7	M50545	Pump End Cover	1
8	M12461-32	Screw (10-32 X 1-1/8)	6
9	M8940	Steel Ball (1/4 Inch)	1
10	M8643	Pump Blade	4
11	M22456-1	Pump Rotor	1
12	M22009	Rotor Insert	1
13	M50456-01	Pump Body	1
14	FHPF3-2.5C	Screw (10-32 X 5/16)	2
15	69248	90° Elbow	1
16	M22997	Pipe Plug	1
17	M27694	Adjusting Screw	1
18	M10993-1	Pressure Relief Spring	1



PARTS AVAILABLE - NOT SHOWN

1	M25952	Decal, Operation Instructions
2	M25953	Decal, Caution
3	M25958	Decal, Guard
4	M26050	Decal, Wiring Diagram
5	M30732	Decal, Tradename
6	M50715	Decal, Model Number
7	M50227	Decal, Reset
8	M4119	Decal, Label CSA
9	M50094-35	Decal, Nameplate

PARTS - MODEL BC66



HEATER EXPLODED VIEW

KEY NO.	PART NUMBER	PART DESCRIPTION	QTY
1	M26207-2AZ	Upper Shell	1
	M11084-27	Screw (10-16 x 1/2)	6
	M11271-6	Clip Nut	2
2	M50248-02	Combustion Chamber Assembly	1
3	M23443-4	Burner Head Assembly (See Page 8 For Details)	1
	M11084-26	Screw (10-16 x 3/8)	3
4	M16660	Photocell Bracket	1
	M10908-2	Screw (6-32 x 3/8)	2
5	M16656-12	Photocell Assembly	1
6	M16841-19	Wire Assembly (Circuit Breaker)	1
7	M15714-2	Wire Connector	2
8	M26133-1AZ	Control Box Mounting Assembly	1
	M11084-26	Screw (10-16 x 3/8)	3
9	M23611	Snap Bushing	2
10	M15714-2	Wire Connector	2
11	M27553-03AA	Fuel Tank Assembly	1
12	M25727	Fan (Includes 1/4-28 x 3/8 Setscrew)	1
13	M25023-1	Motor and Pump Assembly (See Page 8 For Details)	1
14	NPC-4	Hex Nut (1/4-20)	2
15	WLM-4	Lockwasher (1/4)	2
16	M51043-01	Screw (1/4-20 x 1 1/2)	2
17	M16661	Motor Clamp	4
18	M26046	Cap	1
19	M25021	Airline	1
20	M25059	Motor Support Bracket	1
	M11084-26	Screw (10-16 x 3/8)	4
21	1000576	Grommet	2
22	1000577	Grommet	2
23	M11084-26	Screw (Relay Bracket, 10-16 x 3/8)	2
24	M25919	Terminal Insulator	2
25	M16841-21	Wire Assembly (Relay)	1
26	M16841-20	Wire Assembly (Capacitor)	1
27	M11084-39	Screw (8-18 x 1/2)	1
28	M12651-1	Capacitor Clamp	1
29	M12650-8	Capacitor	1
30	M25061-1	Relay (Motor Start)	1
31	RC2-2.5C	Screw (8-32 x 5/16)	2
32	M25035	Relay Bracket	1
33	M26208-4AZ	Lower Shell Assembly	1
34	M23284	Filler Neck Cap	1
35	M18053	Filler Neck Screen	1
36	M10990-3	Bushing	1
37	M26969-1	Nose Guard	1
38	M16697-04	Transformer	1
	M11084-26	Screw (10-16 x 3/8)	2
39	M26204-3	Rear Handle	1
	M12345-33	Screw (10-24 x 1 3/4)	4
	NTC-3C	Torque Nut (10-24)	4
40	M27417	Drain Plug	1
41	M51015-02	Axle	1
42	M26205-3	Wheel Support Frame	1
43	M28526	Cap Nut	2
44	M26307	Wheel	2
45	M26967-3	Front Handle	1
	M12345-33	Screw (10-24 x 1 3/4)	8
	NTC-3C	Torque Nut (10-24)	8
46	M10813-85	Extension Cord Assembly	1
47	M6082	Connector	1
48	50460	Locknut	1
49	M22082	Primary Safety Control	1
50	M15246	Circuit Breaker	1
51	M15714-1	Wire Connector	1

WIRING DIAGRAM

