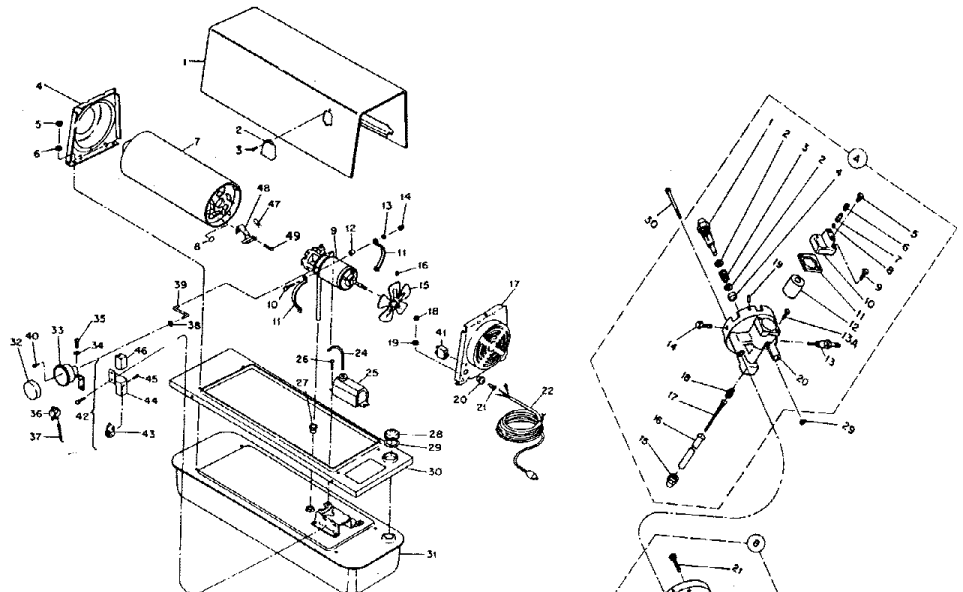


Master B65 Spec # 3113G01

Form # 2740
7-71

14-1	M12436-1A	Housing, Heater	1
2	M12568A	Cover, Filter	1
3	*M10908-2	Screw, Hex hd, slotted No. 6-32 x 3/8 in., Type "S"	1
4	M15767-1A	End Cap and Nose Cone	1
5	*NPC-4C	Nut, Plain hex, 1/4-20	2
6	*WLI-4C	Lockwasher, Internal tooth, 1/4 in.	2
7	M15770-3	Combustion Chamber	1
8	M15995	Plug, Button	1
9	Ref.	Motor Pump and Burner Head Assembly (See Figure 15)	1
10	*HC4-10C	Screw, Rd hd, 1/4-20 x 1-1/4 in.	2
11	M16661	Clamp, Motor Not Used	4
12	*WLM-4C	Lockwasher, 1/4 in.	2
13	*NPC-4C	Nut, Plain hex, 1/4-20	2
14	*NPC-4C	Nut, Plain hex, 1/4-20	2
15	M20517	Fan	1
16	SFK4-2	Set screw, Soc hd, cup pt, 1/4-28 x 1/4 in.	2
17	M12427-1A	Fan Guard Assy	1
18	*NPC-4C	Nut, Plain, Hex 1/4-20	2
19	*WLI-4C	Lockwasher, Internal tooth, 1/4 in.	2
20	M11143-1	Bushing, Strain relief	1
21	M13942-4	Connector (Wire Nut)	2
22	M10813-37	Cord, Service (Extension) #	1
22	M10813-38	Cord, Service (Extension) ♀	1
23		Not Used	
24	M10816-15	Lead, Electrode	1
25	M15063	Transformer	1
26	*M15823-26	Screw, Hex hd No. 10-12 x 3/8 in., Type "B"	1
27	M10990-3	Bushing, Rubber	1
28	M11151-1	Cap, Fuel tank filler	1
30	M12424A	Skirt, Fuel tank	1
31	M10716-1A	Fuel Tank Assy	1
32	*M11146-1	Element, Intake air filter	1
33	M17018-1	Filter Body and Bracket Assy	1
33	M17019	Bracket, Filter	1
34	WLI-2C	Lockwasher, No. 8	2
35	*RC-2C	Screw, Rd hd., No. 8-32 x 1/4 in.	1
-	*RC2-3C	Screw, Rd hd., No. 8-32 x 3/8 in. (For ground wire)	1
36	M12462-5	Relay, Motor starting	1
37	M8900-37	Wire Assy (to Relay)	1
38	M13293	Grommet, Rubber	1
39	M12432	Tube, Air intake	1
40	*M11084-27	Screw, Self-tapping, Hex hd No. 10-12 x 1/2 in., Type "A"	2
41	M14360	Circuit Breaker	1
42	M14379-2	Relay and Bracket Assy	1
43	M14378-1	Relay Assy, Control	1
44	M14370	Bracket, Relay	1
45	M12461-2	Screw, Hex hd, No. 6-32 x 3/8 (Relay Mtg.)	1
46	M14983	Dust Cover, Relay	1
47	M16656-1	Photocell and Bushing Assy	1
48	M16660	Bracket, Photocell	1
49	*M10908-1	Screw, Self-tapping, hex hd No. 6-32 x 1/4 in. Type S ♀	1



	M19115-5	Motor, Pump and Burner Head Assy	1
(A)	M19113-2	Burner Head Assy	1
	M13960	Nozzle, Siphon	1
	M10659-1	Washer, Nozzle seal	2
	M10809-1	Spring, Nozzle seal	1
	M8882	Sleeve	1
	M22997	Plug, Socket thd	1
	M23105	Screw, Adjusting	1
	M10993-1	Spring, Pressure relief	1
	M8940	Ball	1
	*M12461-54	Screw, Hex hd, No. 10-24 x 7/8 in.	2
10	M12576	Body Valve	1
11	M12577	Gasket	1
12	M15241	Output Filter Element	1
13	M16896-1	Spark Plug Assy	1
14	*M10908-38	Screw, No. 12-24 x 3/8 in., Type S	1
15	M13849	Nut, Flared	1
16	M16790	Tube, Fuel Filter	1
17	M19630	Filter, Fuel	1
18	M16791	Connector, Male	1
19	ROP12-8	Roll Pin	4
20	M19112	Body, Burner Head	1
(B)	M19114-1	Motor and Pump Assy	1
21	*FHPF3-8C	Screw, Fil. hd., No. 10-32 x 1/2 in.	4
22	M12430	End cover pump	1
23	*FHPF3-4C	Screw, Fil. hd., No. 10-32 x 1/2 in.	2
24	M8645	Pump Body	1
25	M22456-1	Pump Rotor	1
26	M22009	Insert, Pump Rotor	1
27	M8643	Blade	1
28	M17941	Motor	1
29	M13372	Seal (O-Ring)	1
30	*FHPF3-20C	Screw, Fil. hd., No. 10-32 x 2-1/2 in.	2

