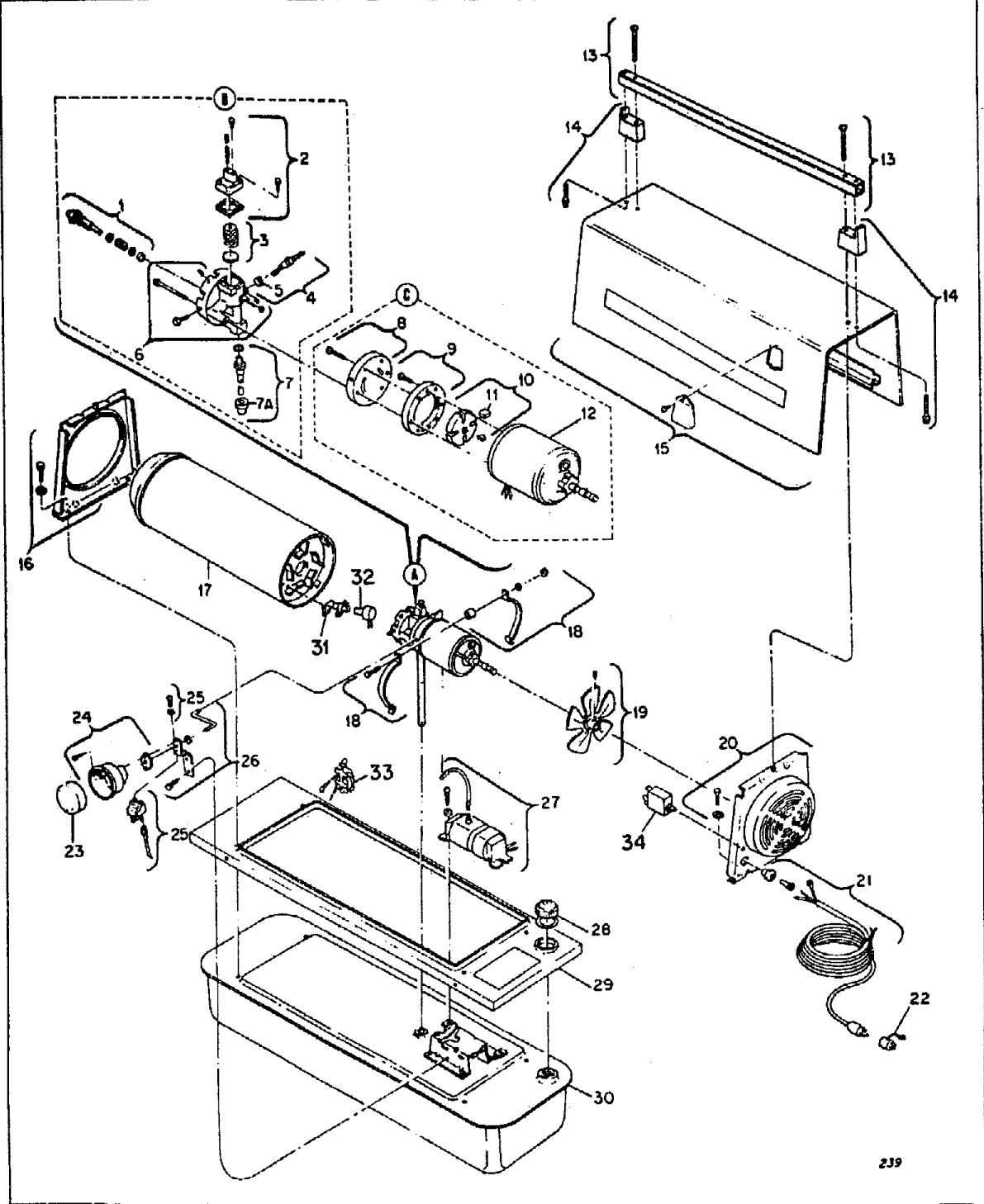


MARK HEATER LOW PRESSURE
 MARK 50 AND MARK 50 DELUXE
 MARK 50 (64/65) FORM RH-1630
 MARK 50 (65/66) 9/65
 MARK 50 DELUXE (65/66)



MARK HEATER LOW PRESSURE
MARK 50 AND MARK 50 DELUXE
MARK 50 (64/65) FORM RH-1630
MARK 50 (65/66)
MARK 50 DELUXE (65/66) 9/65

