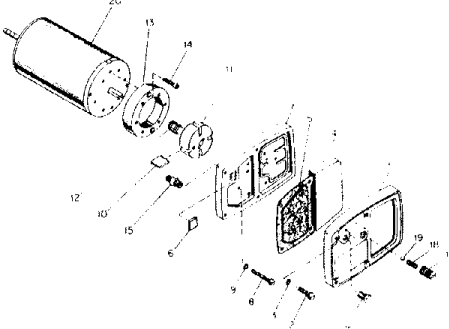
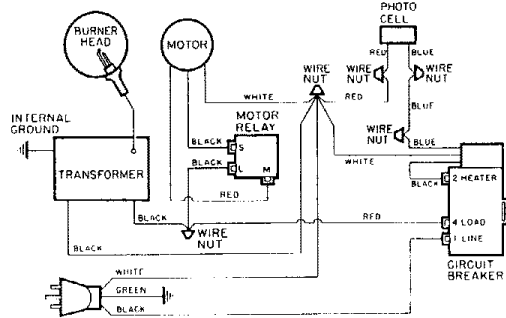
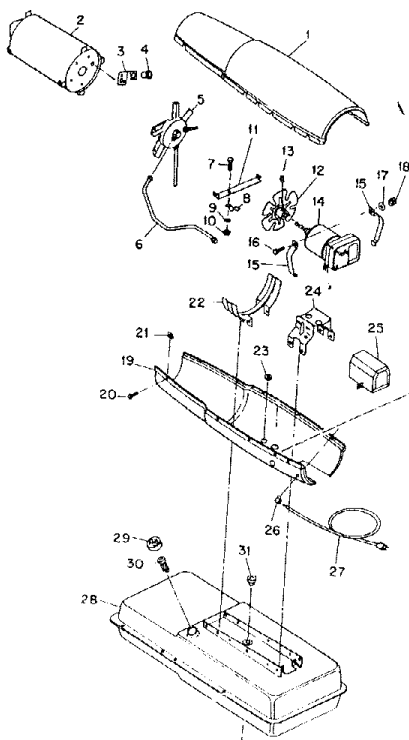
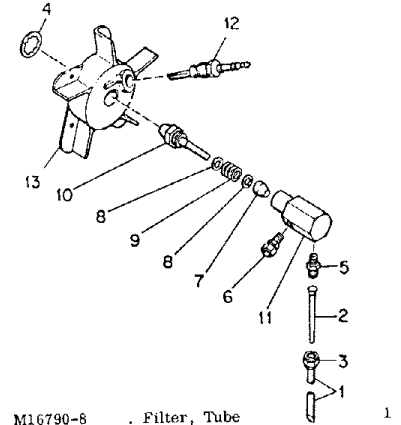


Reddy M100D

Spec# 3196 G03

Form # 2945-01
1970

1	M13134-3D	Shell, Upper	1	32	M12330	Bracket, Shell Support	1
2	M16781-4	Chamber, Combustion	1		M11084-27*	Screw (Support Bracket to Lower Shell and Fuel Tank)	4
	M11084-27*	Screw (Combustion Chamber attaching front)	2		M11084-29*	Screw (Lower Shell to Support Bracket)	2
	M11084-29*	Screw (Combustion Chamber attaching rear)	2	23	1000576	Grommet (Ignition cable thru Lower shell)	3
3	M16660	Bracket, Photocell	1		M16646	Bracket, Motor Support	1
	M10908-1*	Screw (Photocell Bracket to Combustion Chamber rear head)	2		M11084-27*	Screw (Motor Support Bracket to Lower Shell and Fuel Tank)	6
4	M16656-3	Cell and Bushing Assy	1		M16697	Transformer, 5000 Volt	1
5	M23150-1	Burner Head Assembly (See figure 14)	1	25	M11084-27	Screw (Transformer to Motor Support Bracket)	2
	M11084-27*	Screw (Burner Head to Combustion Chamber)	3	26	M11143-1	Bushing, Strain Relief (Service Cord to Lower Shell)	1
6	M16879	Air Line	1		M10813-34	Cord Assembly, Extension	1
7	M12461-27	Screw, Slotted hex hd., No. 10-32 x 1/2 in.	1	27	M27552-01C	Tank Assembly, Fuel	1
8	M24717	Clamp, Tube	1	28	M23284	Cap, Fuel Tank	1
9	WLM-3	Lockwasher, No. 10	1	29	M18053	Screen, Filler neck	1
10	NPF-3C	Nut, Plain No. 10-32	1	30	M10990-3	Bushing, Rubber (Fuel Filter into Fuel Tank)	1
11	M15807	Strap, Retainer	1	31	M27417	Plug, Drain	1
	M11084-27*	Screw (Retainer Strap to Lower Shell)	2	32	M28898-02	Safety Control Assembly	1
12	M23147	Fan	1	33	M28897-01	. Trigger Assembly	1
13	SF4-2-1/2K	Setscrew, Soc. Hd., cup pt., 1/4-20 (Fan to Motor Shaft)	2	34	M29201	. Circuit Breaker	1
	M23149-6	Motor Package Assembly (See figure 16)	2	35	M25296-1	Bracket, Starting Relay Mtg.	1
14	M16661	Clamp, Motor	4	36	M12462-9	Relay, Starting	1
15	HC4-10C	Screw (Motor Clamps)	2	37	RC2-2C*	Screw (Starting Relay to Mounting Bracket)	2
16	WLM-4*	Lockwasher, 1/4 in. (Motor Clamps)	2		ST2-2AC	Screw (Grounding)	1
17	NPC-4C*	Nut, Hex, 1/4-20 (Motor Clamps)	2		M11084-27	Screw (Relay Bracket to Shell)	1
18	M16777D	Shell, Lower	1		M9900-62	Wire Assembly, Black (To Starting Relay)	1
19	M11084-27*	Screw (Upper Shell to Lower Shell)	6		M9900-80	Wire Assy (To Breaker)	1
20	M11271-6*	Nut, Tinnerman (Upper Shell to Lower Shell)	6		M16615-1	Harness Assy	1
			6		M13942-2	Connector (Cell and Bushing and Relay to Circuit Breaker)	4
			6		M13942-5	Connector (Relay Leads)	1



1	M16545	. End Cover, Filter	1
2	M12461-31*	. Screw (Filter End Cover to Pump End cover)	4
3	WLI-3	. Lockwasher, Internal No. 10	4
4	M12179	. Intake Air Filter	1
5	M12244-1	. Output Filter Assy	1
6	M11637	. Filter, Lint	1
7	M12233	. Front Cover, Pump (Port Plate)	1
8	M12461-32*	. Screw (End Cover to Motor)	6
9	WLI-3	. Lockwasher, Internal No. 10	6
10	M8643	. Blade	4
11	M22456-1	. Rotor	1
12	M22009	. Insert	1
13	M8645	. Pump Body	1
14	FHPF3-4C	. Screw (Pump Body to Motor)	2
15	M5976	. Connector, Male	1
16	M22997	. Plug, Hex hd.	1
17	M27694	. Screw, Pressure Adjustment	1
18	M10993-1	. Spring, Compression (Pressure Relief)	1
19	M8940	. Ball, 1/4 in. dia.	1
20	M30718-01	. Motor	1

* Standard hardware. Purchase locally.