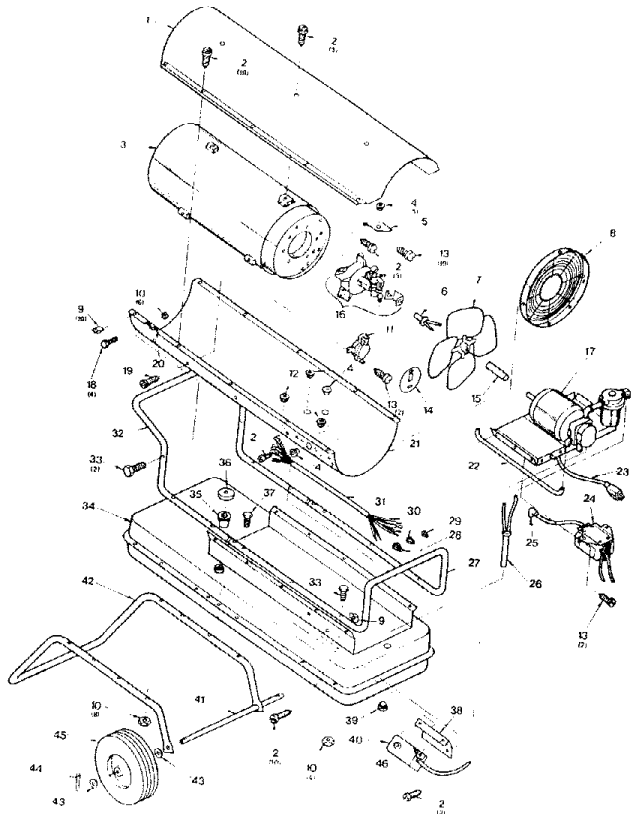


Master B600B

Form# 097501-01
Rev. B

| | | | |
|----|-------------|-----------------------------|----|
| 1 | M50167AB | Upper shell | 1 |
| 2 | M11084-27 | Screw, #10-16 x 1/2" | 38 |
| 3 | M50543-01 | Combustion chamber & shield | 1 |
| 4 | M30865-02 | Bushing | 6 |
| 5 | M50157 | Air deflector | 5 |
| 6 | M16656-4 | Photocell assembly | 1 |
| 7 | M50194 | Fan | 1 |
| 8 | M50186-01AA | Fan Guard | 1 |
| 9 | M11271-6 | Clip nut | 18 |
| 10 | NTC-4C | Hex nut, 1/4-20 | 18 |
| 11 | M51336-02 | Fan switch | 1 |
| 12 | M50104-02 | Bushing | 2 |
| 13 | M11084-26 | Screw, #10-6 x 3/8" | 17 |
| 14 | M51160-01 | Fan switch cover | 1 |
| 15 | M50278 | Sleeve | 1 |
| 16 | ↑ | Burner head assembly | 1 |
| 17 | ↑ | Motor & pump assembly | 1 |
| 18 | HC4-3C | Screw, 1/4-20 x 3/8" | 4 |
| 19 | M11084-3 | Screw, #12 x 1/2" | 4 |
| 20 | M50388AB | Support Bracket | 2 |
| 21 | M50168AB | Lower shell | 1 |
| 22 | M50119-01 | Fuel line | 1 |
| 23 | M10813-33 | Power Cord | 1 |
| 24 | M50570-02 | Transformer, 5000 volt | 1 |
| 25 | M50050 | Ignition boot | 1 |
| 26 | M50115-02 | Fuel line assembly | 1 |
| 27 | M28872-01 | Rear handle | 1 |
| 28 | * | Wire connector (large) | 1 |
| 29 | * | Wire connector (small) | 2 |
| 30 | * | Wire connector (medium) | 4 |
| 31 | 097494-02 | Wire harness | 1 |
| 32 | M50224 | Front handle | 1 |
| 33 | M51043-01 | Screw, 1/4-20 x 1 1/2" | 6 |
| 34 | 079666-22 | Fuel tank | 1 |
| 35 | M18053 | Filler neck screen | 1 |
| 36 | 097702-01 | Fuel cap | 1 |
| 37 | HC4-22C | Screw, 1/4-20 x 2 3/4" | 8 |
| 38 | M25121B | Thermostat bracket | 1 |
| 39 | M27417 | Drain plug | 1 |
| 40 | 097513-02 | Thermostat | 1 |
| 41 | M18774 | Axle | 1 |
| 42 | M28140-02 | Wheel support frame | 1 |
| 43 | WP-10C | Flatwasher (5/8") | 4 |
| 44 | C5-10C | Cotter Pin (5/32 x 1 1/4") | 2 |
| 45 | M50389 | Wheel | 2 |
| 46 | Δ | Screw, #6-32 x 3/8" | 2 |
| | Δ | Internal lockwasher No. 6 | 2 |
| | Δ | Nut, 6-32 | 2 |



| | | | |
|---|-----------|-----------------------------------|---|
| 1 | M10908-2 | Screw, Hex Head (6-32 x 3/8) | 2 |
| 2 | M50340-02 | Photocell Bracket | 1 |
| 3 | M10962-2 | Spark Plug | 1 |
| 4 | M30765 | Nozzle | 1 |
| 5 | M51170-01 | Plug | 1 |
| 6 | M50924-02 | Burner Head Body | 1 |
| 7 | 69246 | Straight Nipple | 1 |
| 8 | M50390-01 | Solenoid Valve (Includes #7 & #9) | 1 |
| 9 | M50297 | Compression Elbow | 1 |

| | | | |
|----|-------------|--|---|
| 1 | 097495-01AA | Wiring Cover | 1 |
| 2 | HF5-5C | Screw (5/16 x 24 x 3/16) | 4 |
| 3 | WLI-5C | External Lock Washer (5/16) | 4 |
| 4 | M11084-26 | Screw (10-16 x 3/8) | 3 |
| 5 | 097531-01 | Motor | 1 |
| 6 | M50116 | Flange Clamp (Holds pump to motor) | 1 |
| 7 | 097505-01AA | Motor Support | 1 |
| 8 | 57413 | Street Elbow | 2 |
| 9 | M17499-2 | Pipe Nipple | 1 |
| 10 | M20137 | Pipe Bushing | 1 |
| 11 | M20137 | Pipe Bushing | 1 |
| 12 | M50398 | Fuel Filter Assembly | 1 |
| | M51102-01 | Filter Element (Inside fuel filter assembly) | 1 |
| 13 | M50114-02 | 90° Male Elbow | 1 |
| 14 | M50297 | Compression Elbow | 1 |
| 15 | 57413 | Street Elbow | 1 |
| 16 | M50113-02 | Straight Fitting | 1 |
| 17 | M50065 | Fuel Pump | 1 |
| 18 | WLM-5C | Lock Washer (5/16) | 4 |
| 19 | NPF-5C | Hex Nut (5/16 x 24) | 4 |
| 20 | M50671-01 | Safety Control | 1 |
| 21 | 097491-01 | Power Relay | 1 |
| 22 | M50104-02 | Shorty Bushing | 3 |
| 23 | M10908-2 | Screw (6-32 x 3/8) | 2 |

